

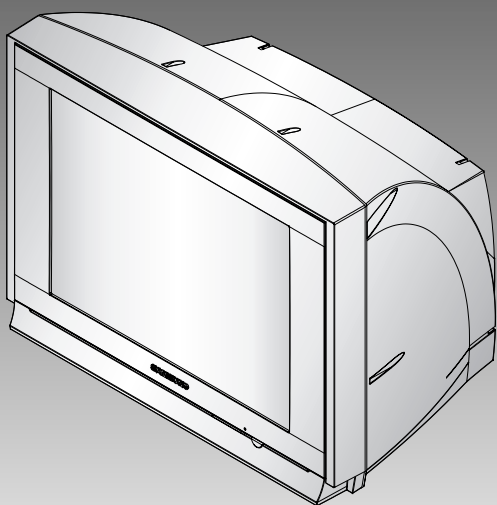
SAMSUNG

COLOR TELEVISION RECEIVER

Chassis : K55A
Model : TXM2796HFX/XAA TXM2797HFX/XAA
TXM2798HFX/XAA TXM3096WHFXXAA
TXM3097WHFXXAA TXM3098WHFXXAA
TXM3296HFX/XAA TXM3297HFX/XAA
TXM3298HFX/XAA

SERVICE *Manual*

COLOR TELEVISION RECEIVER



CONTENTS

1. Precautions
2. Reference Information
3. Specifications
4. Alignment and Adjustments
5. Exploded Views and Parts List
6. Electrical Parts List
7. Troubleshooting
8. Block Diagrams
9. Schematic Diagrams



ELECTRONICS

1. Precautions

Follow these safety, servicing and ESD precautions to prevent damage and protect against potential hazards such as electrical shock and X-rays.

1-1 Safety Precautions

1. Be sure that all of the built-in protective devices are replaced. Restore any missing protective shields.
2. When reinstalling the chassis and its assemblies, be sure to restore all protective devices, including: nonmetallic control knobs and compartment covers.
3. Make sure that there are no cabinet openings through which people—particularly children—might insert fingers and contact dangerous voltages. Such openings include the spacing between the picture tube and the cabinet mask, excessively wide cabinet ventilation slots, and improperly fitted back covers.

If the measured resistance is less than 1.0 megohm or greater than 5.2 megohms, an abnormality exists that must be corrected before the unit is returned to the customer.

4. Leakage Current Hot Check (Figure 1-1):
Warning: Do not use an isolation transformer during this test. Use a leakage-current tester or a metering system that complies with American National Standards Institute (ANIS C101.1, Leakage Current for Appliances), and Underwriters Laboratories (UL Publication UL1410, 59.7).
5. With the unit completely reassembled, plug the AC line cord directly into the power outlet. With the unit's AC switch first in the ON position and then OFF, measure the current between a known earth ground (metal water pipe, conduit, etc.) and all exposed metal parts, including: antennas, handle brackets, metal cabinets, screwheads and control shafts. The current measured should not exceed 0.5 milliamp. Reverse the power-plug prongs in the AC outlet and repeat the test.

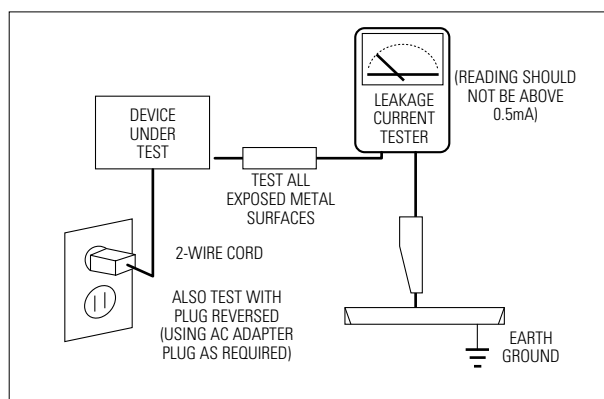


Fig. 1-1 AC Leakage Test

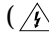
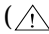
6. Antenna Cold Check:
With the unit's AC plug disconnected from the AC source, connect an electrical jumper across the two AC prongs. Connect one lead of the ohmmeter to an AC prong. Connect the other lead to the coaxial connector.
7. X-ray Limits:
The picture tube is especially designed to prohibit X-ray emissions. To ensure continued X-ray protection, replace the picture tube only with one that is the same type as the original. Carefully reinstall the picture tube shields and mounting hardware; these also provide X-ray protection.
8. High Voltage Limits:
High voltage must be measured each time servicing is done on the B+, horizontal deflection or high voltage circuits. Correct operation of the X-ray protection circuits must be reconfirmed whenever they are serviced.
(X-ray protection circuits also may be called "horizontal disable" or "hold-down".)

Heed the high voltage limits. These include the X-ray Protection Specifications Label, and the Product Safety and X-ray Warning Note on the service data schematic.

1-1 Safety Precautions (Continued)

9. High voltage is maintained within specified limits by close-tolerance, safety-related components and adjustments. If the high voltage exceeds the specified limits, check each of the special components.
10. Design Alteration Warning:
Never alter or add to the mechanical or electrical design of this unit. Example: Do not add auxiliary audio or video connectors. Such alterations might create a safety hazard. Also, any design changes or additions will void the manufacturer's warranty.
11. Hot Chassis Warning:
Some TV receiver chassis are electrically connected directly to one conductor of the AC power cord. If an isolation transformer is not used, these units may be safely serviced only if the AC power plug is inserted so that the chassis is connected to the ground side of the AC source.

To confirm that the AC power plug is inserted correctly, do the following: Using an AC voltmeter, measure the voltage between the chassis and a known earth ground. If the reading is greater than 1.0V, remove the AC power plug, reverse its polarity and reinsert. Re-measure the voltage between the chassis and ground.
12. Some TV chassis are designed to operate with 85 volts AC between chassis and ground, regardless of the AC plug polarity. These units can be safely serviced only if an isolation transformer inserted between the receiver and the power source.
13. Some TV chassis have a secondary ground system in addition to the main chassis ground. This secondary ground system is not isolated from the AC power line. The two ground systems are electrically separated by insulating material that must not be defeated or altered.
14. Components, parts and wiring that appear to have overheated or that are otherwise damaged should be replaced with parts that meet the original specifications. Always determine the cause of damage or overheating, and correct any potential hazards.
15. Observe the original lead dress, especially near the following areas: Antenna wiring, sharp edges, and especially the AC and high voltage power supplies. Always inspect for pinched, out-of-place, or frayed wiring. Do not change the spacing between components and the printed circuit board. Check the AC power cord for damage. Make sure that leads and components do not touch thermally hot parts.
16. Picture Tube Implosion Warning:
The picture tube in this receiver employs "integral implosion" protection. To ensure continued implosion protection, make sure that the replacement picture tube is the same as the original.
17. Do not remove, install or handle the picture tube without first putting on shatterproof goggles equipped with side shields. Never handle the picture tube by its neck. Some "in-line" picture tubes are equipped with a permanently attached deflection yoke; do not try to remove such "permanently attached" yokes from the picture tube.
18. Product Safety Notice:
Some electrical and mechanical parts have special safety-related characteristics which might not be obvious from visual inspection. These safety features and the protection they give might be lost if the replacement component differs from the original—even if the replacement is rated for higher voltage, wattage, etc.

Components that are critical for safety are indicated in the circuit diagram by shading, () or (). Use replacement components that have the same ratings, especially for flame resistance and dielectric strength specifications. A replacement part that does not have the same safety characteristics as the original might create shock, fire or other hazards.

1-2 Servicing Precautions

Warning1: First read the "Safety Precautions" section of this manual. If some unforeseen circumstance creates a conflict between the servicing and safety precautions, always follow the safety precautions.

Warning2: An electrolytic capacitor installed with the wrong polarity might explode.

1. Servicing precautions are printed on the cabinet. Follow them.
2. Always unplug the unit's AC power cord from the AC power source before attempting to:
(a) Remove or reinstall any component or assembly, (b) Disconnect an electrical plug or connector, (c) Connect a test component in parallel with an electrolytic capacitor.
3. Some components are raised above the printed circuit board for safety. An insulation tube or tape is sometimes used. The internal wiring is sometimes clamped to prevent contact with thermally hot components. Reinstall all such elements to their original position.
4. After servicing, always check that the screws, components and wiring have been correctly reinstalled. Make sure that the portion around the serviced part has not been damaged.
5. Check the insulation between the blades of the AC plug and accessible conductive parts (examples: metal panels, input terminals and earphone jacks).
6. Insulation Checking Procedure: Disconnect the power cord from the AC source and turn the power switch ON. Connect an insulation resistance meter (500V) to the blades of the AC plug.

The insulation resistance between each blade of the AC plug and accessible conductive parts (see above) should be greater than 1 megohm.
7. Never defeat any of the B+ voltage interlocks. Do not apply AC power to the unit (or any of its assemblies) unless all solid-state heat sinks are correctly installed.
8. Always connect a test instrument's ground lead to the instrument chassis ground before connecting the positive lead; always remove the instrument's ground lead last.

1-3 Precautions for Electrostatically Sensitive Devices (ESDs)

1. Some semiconductor (“solid state”) devices are easily damaged by static electricity. Such components are called Electrostatically Sensitive Devices (ESDs); examples include integrated circuits and some field-effect transistors. The following techniques will reduce the occurrence of component damage caused by static electricity.
2. Immediately before handling any semiconductor components or assemblies, drain the electrostatic charge from your body by touching a known earth ground. Alternatively, wear a discharging wrist-strap device. (Be sure to remove it prior to applying power—this is an electric shock precaution.)
3. After removing an ESD-equipped assembly, place it on a conductive surface such as aluminum foil to prevent accumulation of electrostatic charge.
4. Do not use freon-propelled chemicals. These can generate electrical charges that damage ESDs.
5. Use only a grounded-tip soldering iron when soldering or unsoldering ESDs.
6. Use only an anti-static solder removal device. Many solder removal devices are not rated as “anti-static”; these can accumulate sufficient electrical charge to damage ESDs.
7. Do not remove a replacement ESD from its protective package until you are ready to install it. Most replacement ESDs are packaged with leads that are electrically shorted together by conductive foam, aluminum foil or other conductive materials.
8. Immediately before removing the protective material from the leads of a replacement ESD, touch the protective material to the chassis or circuit assembly into which the device will be installed.
9. Minimize body motions when handling unpackaged replacement ESDs. Motions such as brushing clothes together, or lifting a foot from a carpeted floor can generate enough static electricity to damage an ESD.

CAUTION

These servicing instructions are for use by qualified service personnel only. To reduce the risk of electric shock do not perform any servicing other than that contained in the operating instructions unless you are qualified to do so.

2. Reference Information

2-1 Tables of Abbreviations and Acronyms

Table 2-1 Abbreviations

A	Ampere	MV	Megavolt
Ah	Ampere-hour	MW	Megawatt
Å	Angstrom	MΩ	Megohm
dB	Decibel	m	Meter
dBm	Decibel Referenced to One Milliwatt	μA	Microampere
°C	Degree Celsius	μF	Microfarad
°F	Degree Fahrenheit	μH	Microhenry
°K	degree Kelvin	μm	Micrometer
F	Farad	μs	Microsecond
G	Gauss	μW	Microwatt
GHz	Gigahertz	mA	Milliampere
g	Gram	mg	Milligram
H	Henry	mH	Millihenry
Hz	Hertz	ml	Milliliter
h	Hour	mm	Millimeter
ips	Inches Per Second	ms	Millisecond
kWh	Kilowatt-hour	mV	Millivolt
kg	Kilogram	nF	Nanofarad
kHz	Kilohertz	Ω	Ohm
kΩ	Kilohm	pF	Picofarad
km	Kilometer	lb	Pound
km/h	Kilometer Per Hour	rpm	Revolutions Per Minute
kV	Kilovolt	rps	Revolutions Per Second
kVA	Kilovolt-ampere	s	Second (Time)
kW	Kilowatt	V	Volt
l	Liter	VA	Volt-ampere
MHz	Megahertz	W	Watt
		Wh	Watt-hour

Table 2-2 Table of Acronyms

ABL	Automatic Brightness Limiter	I/O	Input/output
AC	Alternating Current	L	Left
ACC	Automatic Chroma Control	L	Low
AF	Audio Frequency	LED	Light Emitting Diode
AFC	Automatic Frequency Control	LF	Low Frequency
AFT	Automatic Fine Tuning	MOSFET	Metal-Oxide-Semiconductor-Field-Effect-Tr
AGC	Automatic Gain Control	MTS	Multi-channel Television Sound
AM	Amplitude Modulation	NAB	National Association of Broadcasters
ANSI	American National Standards Institute	NEC	National Electric Code
APC	Automatic Phase Control	NTSC	National Television Systems Committee
APC	Automatic Picture Control	OSD	On Screen Display
A/V	Audio-Video	PCB	Printed Circuit Board
AVC	Automatic Volume Control	PLL	Phase-Locked Loop
BAL	Balance	PWM	Pulse Width Modulation
BPF	Bandpass Filter	QIF	Quadrature Intermediate Frequency
B-Y	Blue-Y	R	Right
CATV	Community Antenna Television (Cable TV)	RC	Resistor & Capacitor
CB	Citizens Band	RF	Radio Frequency
CCD	Charge Coupled Device	R-Y	Red-Y
CCTV	Closed Circuit Television	SAP	Second Audio Program
Ch	Channel	SAW	Surface Acoustic Wave(Filter)
CRT	Cathode Ray Tube	SIF	Sound Intermediate Frequency
CW	Continuous Wave	SMPS	Switching Mode Power Supply
DC	Direct Current	S/N	Signal/Noise
DVM	Digital Volt Meter	SW	Switch
EIA	Electronics Industries Association	TP	Test Point
ESD	Electrostatic Discharge	TTL	Transistor Transistor Logic
ESD	Electrostatically Sensitive Device	TV	Television
FBP	Feedback Pulse	UHF	Ultra High Frequency
FBT	Flyback Transformer	UL	Underwriters Laboratories
FF	Flip-Flop	UV	Ultraviolet
FM	Frequency Modulation	VCD	Variable-Capacitance Diode
FS	Fail Safe	VCO	Voltage Controlled Oscillator
GND	Ground	VCXO	Voltage Controlled Crystal Oscillator
G-Y	Green-Y	VHF	Very High Frequency
H	High	VIF	Video Intermediate Frequency
HF	High-Frequency	VR	Variable Resistor
HI-FI	High Fidelity	VTR	Video Tape Recorder
IC	Inductance-Capacitance	VTVM	Vacuum Tube Voltmeter
IC	Integrated Circuit	TR	Transistor
IF	Intermediate Frequency		

2-2 IC Line Up

Block	Des-Loc	Part-Number	IC Name	Description
MAIN	IC901	AA09-00041A	SDA555X-OTP	IC-MCU
	HIC401	AA13-00094A	DDR1001A	IC HYBRID
	TU02S	AA40-00041A	TCPN3081PC09C(S)	TUNER-F/S
	IC06	1203-002000	DETECTOR;7027	IC-VOL
	IC805	1203-001006	78R05)	IC-VOLTAGE REGULATOR
	HC401	0502-001230	FJL6920YDTU)	TR-POWER
	D801S	0402-001399	GSIB660	DIODE-BREDGE
	HC801	1230-001006	78R05	IC-VOLTAGE REGULATOR
	IC602	1201-001385	7269A	IC-POWER AMP
	IC801S	1203-002512	KA5Q1565RF	IC-PWM CONTROLLER
	IC301	1204-000517	LA7845	IC-VERTICAL DEF
	IC902	1103-001177	24WC16	IC-EEPROM
	IC401	1202-000103	393, DIP, 8P	IC-VOLTAGE COMP
	IC803	1203-001225	78R09	IC-POSI.FIXED REG
	IC601	1204-001970	MSP3421G0P0-8	IC-SOUND PROCESSOR
	TU01S	AA40-00020A	TCLN3181PA09A(S)	TUNER-F/S
	IC402	1203-000243	7812A	IC-POSI.FIXED REG
	IC804	1203-001217	431	IC-POSI.AJUST REG
	IC904	1203-001943	7025	IC-VOL DETECTOR
	IC202	1203-001944	78RM33	IC-POSI.FIXED REG
Q402	0505-001116	BUZ73A	FET-SILICON	
IC903	1203-001944	78RM33	IC-POSI.FIXED REG	
F-BOX	IC06	1203-002000	7027	IC-VOL DETECTOR
	IC11	0801-000662	74HC123	IC-CMOS LIGIC
	IC03	1001-001082	BA7657F	IC-VIDEO SWITCH
	IC10	1001-001177	TEA6425D	IC-VIDEO SWITCH
	IC08	1203-001419	4931	IC-VOLTAGE REGULATOR
	IC05	1203-002186	18, DPAK	IC-POSI.FIXED REG

Block	Des-Loc	Part-Number	IC Name	Description
F-BOX	IC07	1203-002351	LF25C	IC-VOLTAGE REGULATOR
	IC02	1204-001814	CXA2151Q	IC-SELECTOR
	IC09	1204-001935	UPD64083GF	IC-SEPARATOR
	IC01	1204-001938	VSP9407B-B11	IC-DECODER
	IC04	1204-001989	CXA2165Q	IC-VIDEO PROCESS
29"34" CRT	QF10	0502-000153	SC2344-D	TR-POWER
	QF09	0502-000131	2SA1011-D	TR-POWER;
	IC501	1201-001131	6111Q	IC-VIDEO AMP
	IC502	1201-001131	6111Q	IC-VIDEO AMP
	IC503	1201-001131	6111Q	IC-VIDEO AMP
	IC504	1201-000010	2030	IC-OP AMP
32" CRT	IC505	1203-000165	78R12	IC-POSI.AJUST REG
	QF10	0502-000153	2SC2344-D	TR-POWER
	QF09	0502-000131	2SCA1011-D	TR-POWER
	IC501	1201-001588	6120Q	IC-VIDEO AMP
	IC502	1201-001588	6120Q	IC-VIDEO AMP
	IC503	1201-001588	6120Q	IC-VIDEO AMP
	IC504	1201-000010	2030	IC-OP AMP

3. Specifications

Broadcasting System	NTSC-M
Tuning System	Electronic Remote Control System
Receiving Channels	VHF (CH 2 ~ 13)
	UHF (CH 14 ~ 69)
	CATV (CH 1, 14 ~ 125)
ANTENNA INPUT RESISTANCE	VHF, UHF 75 unbalanced
Intermediate Frequency	Video: 45.75 MHz
	Sound: 41.25 MHz
	Chrominance Subcarrier: 42.17 MHz
Power Supply	AC 120V, 60Hz

MEMO

4. Alignment and Adjustments

4-1 Adjustments

4-1-1 General Alignment Instructions

Usually, a color TV needs only slight touch-up adjustment upon installation. Check the basic characteristics such as vertical size, horizontal size, and focus. Observe the picture and check for good black and white details. There must be no objectionable color shading: If color shading is present, demagnetize the receiver. If color shading persists, re-do purity and convergence adjustments.

Note :

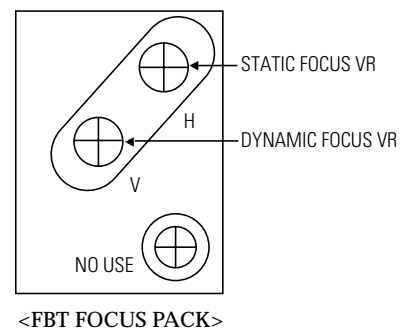
1. This '4. Alignment and Adjustments' applies to KS4A chassis applications.
2. AC Power Supply: 220 V only
3. This service manual has been written on the basis of domestic remote-control model adopting KS4A chassis. Depending on sales location and product specifications, some of specifications herein may be changed.

4-1-2 Focus Adjustment

KS4A contains a dynamic focus circuit. When CRT PCB, FBT or CRT is replaced, be sure to adjust in the following sequence:

Dynamic Focus Adjustment

1. Input a crosshatch pattern.
2. Select "Standard" from the menu,
3. Turn the Static Focus VR clockwise to set it to its maximum.
4. Turn the Dynamic Focus VR counterclockwise to set it to its maximum.
5. Turn the Static Focus VR counterclockwise slowly for the clearest center vertical line.



6. Turn the Dynamic Focus VR clockwise slowly for the clearest third line.



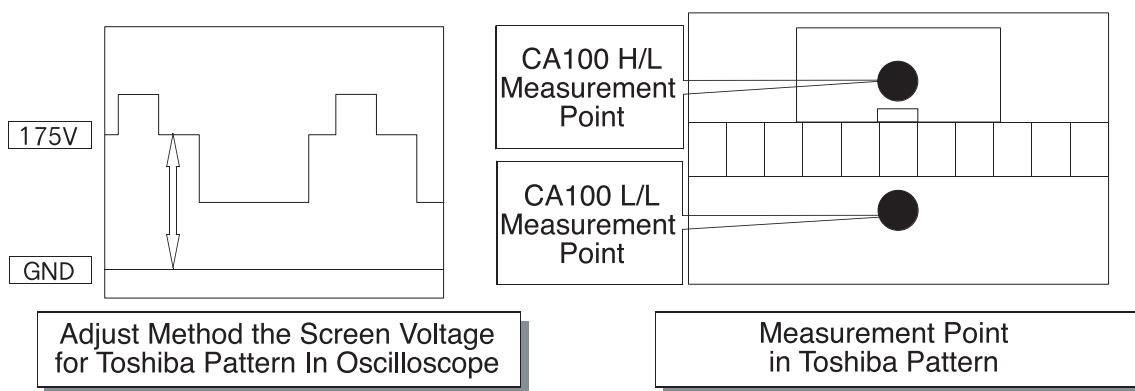
7. Check for the FOCUS of entire screen. If necessary, re-do adjustments 3-6.

4-1-3 Screen Voltage Adjustment

1. Enter the Service Mode by pressing the remote control keys in the following sequence : Power Off → Mute → 1 → 8 → 2 Power On
2. Initialize all set data.
3. Input a Toshiba pattern.
4. Use an oscilloscope to identify RK, BK, GK. And then adjust FBT Screen VR so that the voltage of pedestal level doesn't exceed 175V.
 If a Toshiba pattern is not available, cancel the blue screen and input "No Signal" to AV IN so the voltage of pedestal level doesn't exceed 188V.
 If an oscilloscope is not available, use a DC multi-meter in No Signal (black screen) to adjust RK, BK, GK so that the highest voltage becomes 175Vp-p.

4-1-4 White Balance Adjustment

1. Warm up the TV set for at least 30 minutes.
2. Enter the Service Mode by pressing the remote control keys in the following sequence: Power Off -> Mute → 1 → 8 → 2 → Power On
3. Initialize all set data.
4. Input a Toshiba pattern.
5. Using a probe (CA100), do the White Balance adjustments.
 - a) Adjust Low-Light.
 - Adjust Sub Brightness to set Y.
 - Adjust B Cutoff to set y.
 - Adjust R Cutoff to set x.
 - b) Adjust High-Light.
 - Adjust Sub Contrast to set Y.
 - Adjust B Drive to set y.
 - Adjust R Drive to set x.
 - c) Check the value of Low-Light. If necessary, readjust Low-Light.
 - d) Check the value of High-Light. If necessary, readjust High-Light.15



4-1-5 When adjusting Screen Voltage and White Balance

1. Screen Voltage and White Balance are related each other. Make sure both adjustments are correct.
2. Adjust Screen Voltage before White Balance Adjustments. Make sure Screen Voltage is correct.
3. If White Balance has been readjusted, re-check Screen Voltage.
4. After adjustments are complete, check the following.
 - If spots appear on the screen after pressing the Power On/Off key, readjust Screen Voltage.
 - If flyback lines appear on the screen, readjust Screen Voltage.

4-2 MICOM PORT

PIN	FUNCTION	FIRST STATE	ASSIGNMENT												
1	W-PORT	HIGH	- RESET Control jack during E2PROM latch UP (Function: Low)SERIAL H												
2	ROM SDA	SERIAL H	- E2PROM only SDA LINE												
3	ROM SCL	SERIAL H	- E2PROM only SCL LINE												
4	BUS-STOP	HIGH	- Automation and after-sales service related BUS STOP (STOP: LOW)												
5	MAIN SDA	SERIAL H	- CXA2150Q / CXA2151Q /VSP940X / BA7657F / MSP34XX / TUNER Control jack												
6	MAIN SCL	SERIAL H	- CXA2150Q / CXA2151Q /VSP940X / BA7657F / MSP34XX / TUNER Control jack												
7	S-RESET	HIGH	- Reset when MSP34XX IC (SOUND PROCESS IC) has an error (Active: LOW)												
8	V-RESET	HIGH	- Reset when VSP940X IC (1-chip IC) has an error												
9	VDD 2.5V	HIGH													
10	GND		- Analog GND												
11	VDD 3.3V	HIGH													
12	CVBS IN	IV p-p	- TTX and USA Caption Input source Line (1V p-p)												
13	VDD 2.5V	HIGH													
14	GND														
15	AFT		- Main AFT Control jack (0 - 3.3V)												
16	SC1-ID		<table border="1"> <thead> <tr> <th rowspan="2">RANGE</th> <th>TV MODE</th> <th colspan="2">AV MODE</th> </tr> <tr> <td></td> <th>16 : 9 MODE</th> <th>4 : 3 MODE</th> </tr> </thead> <tbody> <tr> <td>0 ~ 2V</td> <td></td> <td>4.5 ~ 7V</td> <td>9.5 ~ 12V</td> </tr> </tbody> </table>	RANGE	TV MODE	AV MODE			16 : 9 MODE	4 : 3 MODE	0 ~ 2V		4.5 ~ 7V	9.5 ~ 12V	
RANGE	TV MODE	AV MODE													
		16 : 9 MODE	4 : 3 MODE												
0 ~ 2V		4.5 ~ 7V	9.5 ~ 12V												
17	SC-2-ID														
18	KEY-1	HIGH	<table border="1"> <thead> <tr> <th></th> <th>MENU</th> <th>VOL-</th> <th>VOL+</th> <th>CH-</th> <th>CH+</th> </tr> </thead> <tbody> <tr> <th>PHILIPS</th> <td>0 ~ 0.1V</td> <td>0.1 ~ 0.7V</td> <td>0.7V ~ 13V</td> <td>1.3V ~ 1.9V</td> <td>0.9 ~ 2.4V</td> </tr> </tbody> </table>		MENU	VOL-	VOL+	CH-	CH+	PHILIPS	0 ~ 0.1V	0.1 ~ 0.7V	0.7V ~ 13V	1.3V ~ 1.9V	0.9 ~ 2.4V
	MENU	VOL-	VOL+	CH-	CH+										
PHILIPS	0 ~ 0.1V	0.1 ~ 0.7V	0.7V ~ 13V	1.3V ~ 1.9V	0.9 ~ 2.4V										
19	H-SYNC	POSITIVE	- MICOM "H-SYNC" Input, POSITIVE Input (3.3 V p-p)												
20	V-SYNC	POSITIVE	- MICOM "V-SYNC" Input, POSITIVE Input (3.3 V p-p)												
21	KEY-3	HIGH	- Power ON/OFF Control jack												
22	KEY-2	HIGH	- TV/VIDEO switching control jack												
23	X-RAY	HIGH	- Function: Low												
24	IR-IN		- Remote Control Input Jack												
25	STD-LED	HIGH	- STANDBY: Hight, OFF: LOW												
26	TIM-LED	LOW	- TIME ON: H TIME OFF: L												
27	RELAY		- DEGAUSSING COIL CONTROL: Based on standard specifications												
28	SW1	HIGH	- H: IN1, L: IN2 (BA7657F) PIN (#16) Control jack												
29	GND														
30	VDD 3.3V	HIGH													
31(33)	RESET	LOW	- Reset active : HIGH												
32(34)	X-IN		- Crystal oscillation input jack												
33(35)	X-OUT		- Crystal oscillation output jack												
34(36)	GND														
35(37)	VDD 2.5V	HIGH													
36(38)	OSD-R	1.2V p-p	- OSD R-OUT OUTPUT jack (0.38V p-p) ,half tone: 0.9V p-p												
37(39)	OSD-G	1.2V p-p	- OSD G-OUT OUTPUT jack (0.38V p-p) ,half tone: 0.9V p-p												

PIN	FUNCTION	FIRST STATE	ASSIGNMENT									
37(40)	OSD-B	1.2V p-p	- OSD B-OUT OUTPUT jack (0.38V p-p) ,half tone: 0.9V p-p									
38(41)	CORE	0.9V p-p	- OSD F/B OUTPUT jack (Clamped at SAND PULSE, Half Tone: "LOW")									
39(42)	VDD 2.5V	HIGH										
40(43)	GND											
41(44)	VDD 3.3V	HIGH										
42(45)	PX, Y	HIGH	- V-SYNC INPUT									
43(46)	PX, Y	HIGH	- F/B INPUT JACK									
44(47)	SW3	H	<table border="1"> <thead> <tr> <th>F1</th> <th>F0</th> <th>fH</th> </tr> </thead> <tbody> <tr> <td>L</td> <td>M</td> <td>1.75KHz (480i/480P)</td> </tr> <tr> <td>M</td> <td>L</td> <td>33.75KHz (1080i)</td> </tr> </tbody> </table> <p>LOW: GNDHIGH : OPEN STATUS Initially, these pins select an input source at LOW state</p>	F1	F0	fH	L	M	1.75KHz (480i/480P)	M	L	33.75KHz (1080i)
F1	F0	fH										
L	M	1.75KHz (480i/480P)										
M	L	33.75KHz (1080i)										
45(48)	SW2	L										
46(49)	S-MUTE		- System (NTSC/PAL) MUST be separated									
47(50)	POWER		- Active "LOW"									
48(51)	H.P-ID		- 1080I control jack: 1080i (LOW), RF (High)									
49(52)	TILT	HIGH	- Magnetic field control									

4-3 Factory Adjustment Values and White Balance Settings

4-3-1 Factory Adjustment Values

<p>SERVICE Deflection 480P Offset 1080i Offset PC Offset Video Adjust 1 Video Adjust 2 Option (2EH 00H) Reset</p>
--

4-3-2 White Balance Settings

W/B Value	SDI CRT		LG CRT	TOSHIBA CRT	SDI CRT	SDI CRT	SDI CRT	SDI CRT	TOSHIBA CRT			
	INCH		29" WIDE	32" WIDE	34" FLAT	32" WIDE	34" FLAT	29" FLAT	32" WIDE	34" FLAT		
	Model		TXM2796HFX TXM2796HFX TXM2798HFX	TXM3096HFX TXM3097HFX TXM3098HFX	TXM3296HFX TXM3297HFX TXM3298HFX	TXM3096HFX TXM3097HFX TXM3098HFX	TXM3296HFX TXM3297HFX TXM3298HFX	CT29Z7PGX	CT32Z7PGX	CT34Z7PGX		
H	275/265	45FL	275/265	50FL	275/265	40FL	275/265	45FL	275/265	45FL	275/265	40FL
L	275/265	1.0FL	275/265	1.5FL	275/265	1.0FL	275/265	1.0FL	275/265	1.0FL	275/265	1.0FL

4-4 Functions of Each Port in Service Mode



DEFLECTION

 : Fixed Value

ITEM	SDI CRT	LG CRT	TOSHIBA CRT	SDI CRT	SDI CRT	SDI CRT	SDI CRT	TOSHIBA CRT	
	INCH	29" WIDE	32" WIDE	34" FLAT	32" WIDE	34" FLAT	29" FLAT	32" WIDE	34" FLAT
	Model	TXM2796HFX TXM2796HFX TXM2798HFX	TXM3096HFX TXM3097HFX TXM3098HFX	TXM3296HFX TXM3297HFX TXM3298HFX	TXM3096HFX TXM3097HFX TXM3098HFX	TXM3296HFX TXM3297HFX TXM3298HFX	CT29Z7PGX	CT32Z7PGX	CT34Z7PGX
V-AMP	45	30	50	30	42	45	30	50	
V-SHIFT	26	30	28	30	29	26	30	28	
H-EW	46	30	30	30	20	46	30	30	
H-SHIFT	27	25	25	30	31	27	30	25	
V-LIN	5	6	5	6	10	5	6	5	
UP-LIN	6	4	7	4	15	6	4	7	
LOW-LIN	6	4	7	4	5	6	4	7	
V-SC	3	3	3	3	5	3	3	3	
H-PAR	24	32	40	32	45	24	32	40	
UP-COR	27	35	40	35	38	27	35	40	
LOW-COR	26	35	35	35	41	26	35	35	
H-TRA	37	35	45	35	28	37	35	45	
BOW	32	30	32	30	31	32	30	32	
ANGLE	32	32	32	32	30	32	32	32	
V-POSI	32	32	32	32	32	32	32	32	
CXA Left BLK	30	30	30	30	30	30	30	30	
CXA Right BLK	37	37	37	37	37	37	37	37	



ITEM	SDI CRT	LG CRT	TOSHIBA CRT	SDI CRT	SDI CRT	SDI CRT	SDI CRT	TOSHIBA CRT	
	INCH	29" WIDE	32" WIDE	34" FLAT	32" WIDE	34" FLAT	29" FLAT	32" WIDE	34" FLAT
	Model	TXM2796HFX TXM2796HFX TXM2798HFX	TXM3096HFX TXM3097HFX TXM3098HFX	TXM3296HFX TXM3297HFX TXM3298HFX	TXM3096HFX TXM3097HFX TXM3098HFX	TXM3296HFX TXM3297HFX TXM3298HFX	CT29Z7PGX	CT32Z7PGX	CT34Z7PGX
V-AMP	0	0	2	0	1	0	0	2	
V-SHIFT	-2	-1	-1	-1	0	-2	-1	-1	
H-EW	7	6	4	6	4	7	6	4	
H-SHIFT	8	3	8	3	4	8	3	8	
V-LIN	0	0	0	0	0	0	0	0	
UP-LIN	0	0	0	0	0	0	0	0	
LOW-LIN	0	0	0	0	0	0	0	0	
V-SC	0	0	0	0	0	0	0	0	
H-PAR	0	2	-2	2	-2	0	2	-2	
UP-COR	0	0	0	0	0	0	0	0	
LOW-COR	0	0	0	0	0	0	0	0	
H-TRA	0	0	0	0	0	0	0	0	
BOW	0	0	0	0	0	0	0	0	
ANGLE	0	0	0	0	0	0	0	0	
V-POSI	0	0	0	0	0	0	0	0	
CXA Left BLK	28	28	28	28	28	28	28	28	
CXA Right BLK	36	36	36	36	36	36	36	36	



ITEM	SDI CRT	LG CRT	TOSHIBA CRT	SDI CRT	SDI CRT	SDI CRT	SDI CRT	TOSHIBA CRT	
	INCH	29" WIDE	32" WIDE	34" FLAT	32" WIDE	34" FLAT	29" FLAT	32" WIDE	34" FLAT
	Model	TXM2796HFX TXM2796HFX TXM2798HFX	TXM3096HFX TXM3097HFX TXM3098HFX	TXM3296HFX TXM3297HFX TXM3298HFX	TXM3096HFX TXM3097HFX TXM3098HFX	TXM3296HFX TXM3297HFX TXM3298HFX	CT29Z7PGX	CT32Z7PGX	CT34Z7PGX
V-AMP	-14	-13	-15	-13	-12	-14	-13	-15	
V-SHIFT	-5	-4	-4	-4	-3	-5	-4	-4	
H-EW	8	0	10	0	9	8	0	10	
H-SHIFT	1	-1	-1	-1	-1	1	-1	1	
V-LIN	0	0	0	0	0	0	0	0	
UP-LIN	0	0	0	0	0	0	0	0	
LOW-LIN	0	0	0	0	0	0	0	0	
V-SC	0	0	0	0	0	0	0	0	
H-PAR	0	-7	-3	-7	7	0	-7	-3	
UP-COR	0	-3	0	-3	-1	0	-3	0	
LOW-COR	-2	-1	0	-1	1	-2	-1	0	
H-TRA	3	-3	-3	-3	-3	3	-3	-3	
BOW	4	0	-2	0	1	4	0	-2	
ANGLE	2	0	0	0	0	2	0	0	
V-POSI	0	0	0	0	0	0	0	0	
CXA Left BLK	50	50	50	50	50	50	50	50	
CXA Right BLK	27	27	27	27	27	27	27	27	



ITEM	SDI CRT	LG CRT	TOSHIBA CRT	SDI CRT	SDI CRT	SDI CRT	SDI CRT	TOSHIBA CRT	
	INCH	29" WIDE	32" WIDE	34" FLAT	32" WIDE	34" FLAT	29" FLAT	32" WIDE	34" FLAT
	Model	TXM2796HFX TXM2796HFX TXM2798HFX	TXM3096HFX TXM3097HFX TXM3098HFX	TXM3296HFX TXM3297HFX TXM3298HFX	TXM3096HFX TXM3097HFX TXM3098HFX	TXM3296HFX TXM3297HFX TXM3298HFX	CT29Z7PGX	CT32Z7PGX	CT34Z7PGX
V-AMP	*	*	*	*	*	-22	-16	-16	
V-SHIFT	*	*	*	*	*	0	0	0	
H-EW	*	*	*	*	*	-26	-20	-21	
H-SHIFT	*	*	*	*	*	19	18	16	
V-LIN	*	*	*	*	*	0	0	0	
UP-LIN	*	*	*	*	*	0	0	0	
LOW-LIN	*	*	*	*	*	0	0	0	
V-SC	*	*	*	*	*	0	0	0	
H-PAR	*	*	*	*	*	8	4	7	
UP-COR	*	*	*	*	*	2	5	2	
LOW-COR	*	*	*	*	*	2	2	2	
H-TRA	*	*	*	*	*	0	0	0	
BOW	*	*	*	*	*	0	0	0	
ANGLE	*	*	*	*	*	0	0	0	
V-POSI	*	*	*	*	*	0	0	0	
CXA Left BLK	*	*	*	*	*	20	20	20	
CXA Right BLK	*	*	*	*	*	10	10	10	



VIDEO ADJUST 1

: Fixed Value

ITEM	SDI CRT	LG CRT	TOSHIBA CRT	SDI CRT	SDI CRT	SDI CRT	SDI CRT	TOSHIBA CRT	
	INCH	29" WIDE	32" WIDE	34" FLAT	32" WIDE	34" FLAT	29" FLAT	32" WIDE	34" FLAT
	Model	TXM2796HFX TXM2796HFX TXM2798HFX	TXM3096HFX TXM3097HFX TXM3098HFX	TXM3296HFX TXM3297HFX TXM3298HFX	TXM3096HFX TXM3097HFX TXM3098HFX	TXM3296HFX TXM3297HFX TXM3298HFX	CT29Z7PGX	CT32Z7PGX	CT34Z7PGX
R-Cutoff	32	32	32	32	32	32	32	32	
G-Cutoff	32	32	32	32	32	32	32	32	
B-Cutoff	32	32	32	32	32	32	32	32	
Color on/off	1	1	1	1	1	1	1	1	
CR offset	31	31	31	31	31	31	31	31	
CB offset	31	31	31	31	31	31	31	31	
R-Drive	32	32	32	32	32	32	32	32	
G-Drive	32	24	32	32	32	32	32	32	
B-Drive	32	32	32	32	32	32	32	32	
Sub-Bright	23	25	10	20	10	23	20	10	
Sub-Contrast	10	10	10	10	5	10	10	10	
Sub-Color	18	18	18	18	18	18	18	18	
Sub-Tint	7	7	7	7	7	7	7	7	
CTI-Level	1	1	1	1	1	1	1	1	
COL AXIS	2	2	2	2	2	2	2	2	
LTI-Level	1	1	1	1	1	1	1	1	
PC DPIC Level	*	*	*	*	*	0	0	0	
PC DC Trans	*	*	*	*	*	0	0	0	
PC VM Level	*	*	*	*	*	0	0	0	



VIDEO ADJUST21

ITEM	SDI CRT	LG CRT	TOSHIBA CRT	SDI CRT	SDI CRT	SDI CRT	SDI CRT	TOSHIBA CRT	
	INCH	29" WIDE	32" WIDE	34" FLAT	32" WIDE	34" FLAT	29" FLAT	32" WIDE	34" FLAT
	Model	TXM2796HFX TXM2796HFX TXM2798HFX	TXM3096HFX TXM3097HFX TXM3098HFX	TXM3296HFX TXM3297HFX TXM3298HFX	TXM3096HFX TXM3097HFX TXM3098HFX	TXM3296HFX TXM3297HFX TXM3298HFX	CT29Z7PGX	CT32Z7PGX	CT34Z7PGX
ABL Mode	3	3	3	3	3	3	3	3	
Gamma	1	1	1	2	2	1	1	2	
DPIC Level	3	3	3	3	3	3	3	3	
DC Trans	3	3	3	3	3	3	3	3	
ABL-TH	7	12	7	15	15	7	12	7	
VM-Level	2	2	1	2	2	2	2	1	
VM-Coring	1	0	0	3	0	1	0	0	
VM-f0	2	2	2	2	2	2	2	2	
VM-Limit	3	3	0	3	0	3	3	0	
VM-Delay	3	3	1	3	1	3	3	1	
SHP CD	1	1	1	1	1	1	1	1	
SHP f0	0	0	0	0	0	0	0	0	
SHP f1&p/o	11	14	4	14	14	11	14	4	
AKB Time	16	16	16	16	16	16	16	16	
YC Delay	30	30	30	30	30	30	30	30	
PIP YC Delay	3	3	3	3	3	3	3	3	
Band Pass F	2	2	1	2	2	2	2	1	
High Pass F	4	4	3	4	4	4	4	3	



VIDEO ADJUST 3

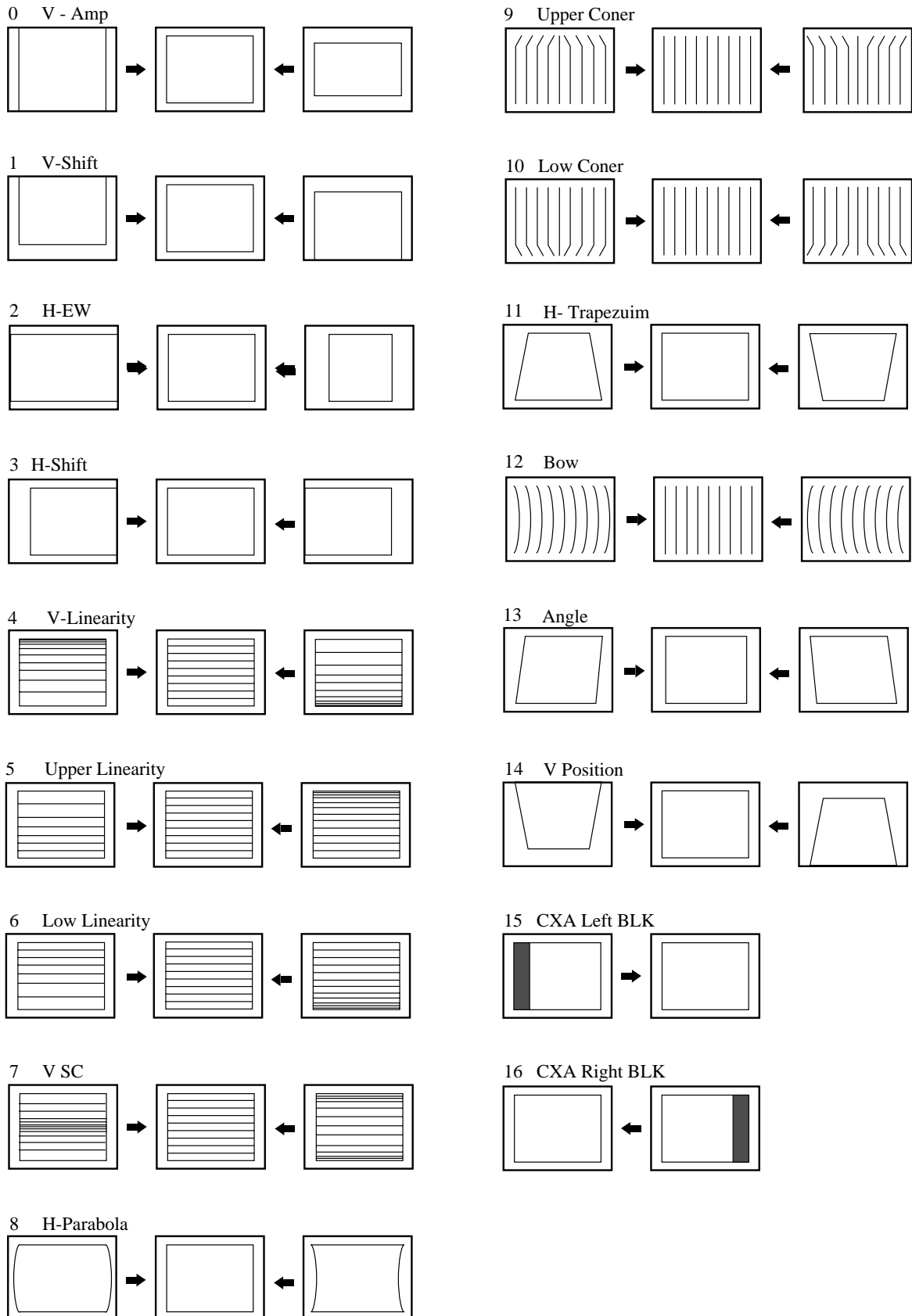
ITEM	SDI CRT	LG CRT	TOSHIBA CRT	SDI CRT	SDI CRT	SDI CRT	SDI CRT	TOSHIBA CRT	
	INCH	29" WIDE	32" WIDE	34" FLAT	32" WIDE	34" FLAT	29" FLAT	32" WIDE	34" FLAT
	Model	TXM2796HFX TXM2796HFX TXM2798HFX	TXM3096HFX TXM3097HFX TXM3098HFX	TXM3296HFX TXM3297HFX TXM3298HFX	TXM3096HFX TXM3097HFX TXM3098HFX	TXM3296HFX TXM3297HFX TXM3298HFX	CT29Z7PGX	CT32Z7PGX	CT34Z7PGX
VSU	2	2	2	2	2	2	2	2	
Melody Volume	4	4	4	4	4	4	4	4	
H comp	5	8	8	8	10	5	8	8	
V comp	3	5	5	5	10	3	5	5	
PIN comp	0	0	3	0	6	0	0	3	
AFC comp	0	0	0	0	0	0	0	0	
Sync Phase	0	0	0	0	0	0	0	0	
NR Off Value	7	7	5	7	5	7	7	5	
480P CR	35	35	35	35	35	35	35	35	
480P CB	35	35	35	35	35	35	35	35	
480P S Color	15	18	15	18	18	15	18	15	
480P S Tint	10	10	10	10	10	10	10	10	
1080i CR	33	33	33	33	33	33	33	33	
1080i CB	33	33	33	33	33	33	33	33	
1080i S Color	15	18	15	18	18	15	18	15	
1080i S Tint	10	10	10	10	10	10	10	10	
V-MUTE (X100ms)	3	3	3	3	3	3	3	3	
PC H Comp	*	*	*	*	*	10	10	10	
PC V Comp	*	*	*	*	*	5	5	5	



OPTION BYTE

Option	Model	TXM3297HFX	TXM2796HFX TXM3296HFX	TXM2797HFX	TXM2798HFX TXM3298HFX	TXM3096HFX	TXM3097HFX	TXM3098HFX	CT29Z7PGX CT34Z7PGX	TXM3098HFX
1. CRT		4 : 3	4 : 3	4 : 3	4 : 3	WIDE	WIDE	WIDE	4 : 3	WIDE
2. PIP(D/W)		ON	OFF	OFF	ON	OFF	ON	ON	ON	ON
3. 3D-COMB Filter		OFF	OFF	OFF	ON	OFF	OFF	ON	ON	ON
4. Blue Screen		OFF	OFF	OFF	OFF	OFF	OFF	OFF	OFF	OFF
5. BBE Effect		ON	OFF	ON	ON	OFF	ON	ON	ON	ON
6. Equalizer		ON	ON	ON	ON	ON	ON	ON	ON	ON
7. Auto Power On		OFF	OFF	OFF	OFF	OFF	OFF	OFF	OFF	OFF
8. System		CT(EN+SP+FR)	CT(EN+SP+FR)	CT(EN+SP+FR)	CT(EN+SP+FR)	CT(EN+SP+FR)	CT(EN+SP+FR)	CT(EN+SP+FR)	CT(EN+SP+FR)	CT(EN+SP+FR)
9. Virtual Dolby		OFF	OFF	OFF	OFF	OFF	OFF	OFF	OFF	OFF
10. ACS		ON	ON	ON	ON	ON	ON	ON	OFF	OFF
11. V Chip (CT,CTA)		ON	ON	ON	ON	ON	ON	ON	OFF	OFF
12. V Chip Area		USA	USA	USA	USA	USA	USA	USA	USA	USA
13. SUB Woofer		OFF	OFF	OFF	ON	OFF	OFF	ON	ON	ON
14. No Sync Mute		OFF	OFF	OFF	OFF	OFF	OFF	OFF	OFF	OFF
15. X-Ray		ON	ON	ON	ON	ON	ON	ON	OFF	OFF
16. AGC		OFF	OFF	OFF	OFF	OFF	OFF	OFF	OFF	OFF
17. Turbo Effect		OFF	OFF	OFF	OFF	ON	OFF	OFF	OFF	OFF
18. Burst Screen		ON	ON	ON	ON	ON	ON	ON	ON	ON
19. LNA Option		ON	OFF	OFF	ON	OFF	ON	ON	ON	ON
20. PC Option		OFF	OFF	OFF	OFF	OFF	OFF	OFF	ON	ON

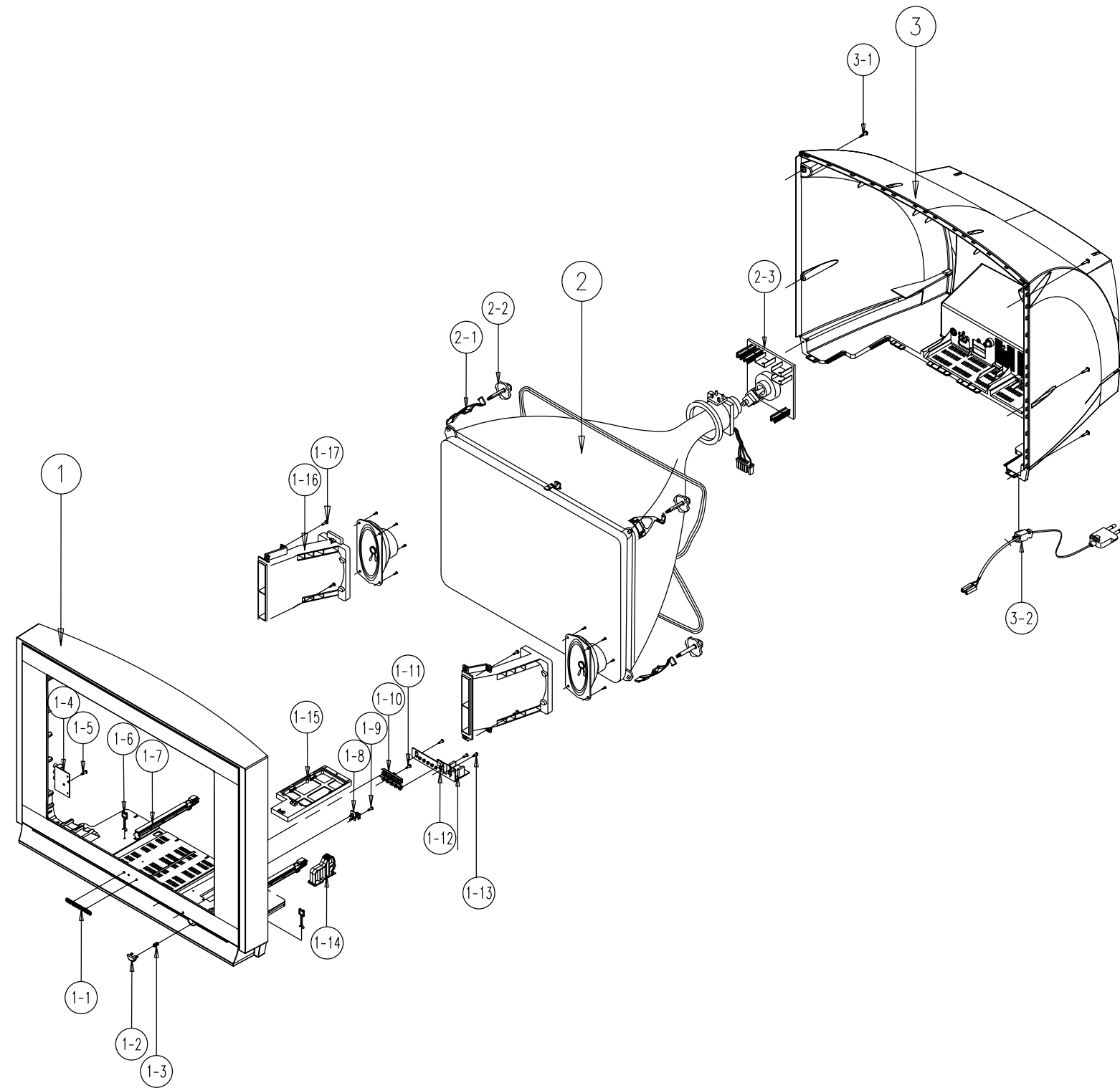
4-8 Screen Change (I2C Bus Geometric Adjustment)



MEMO

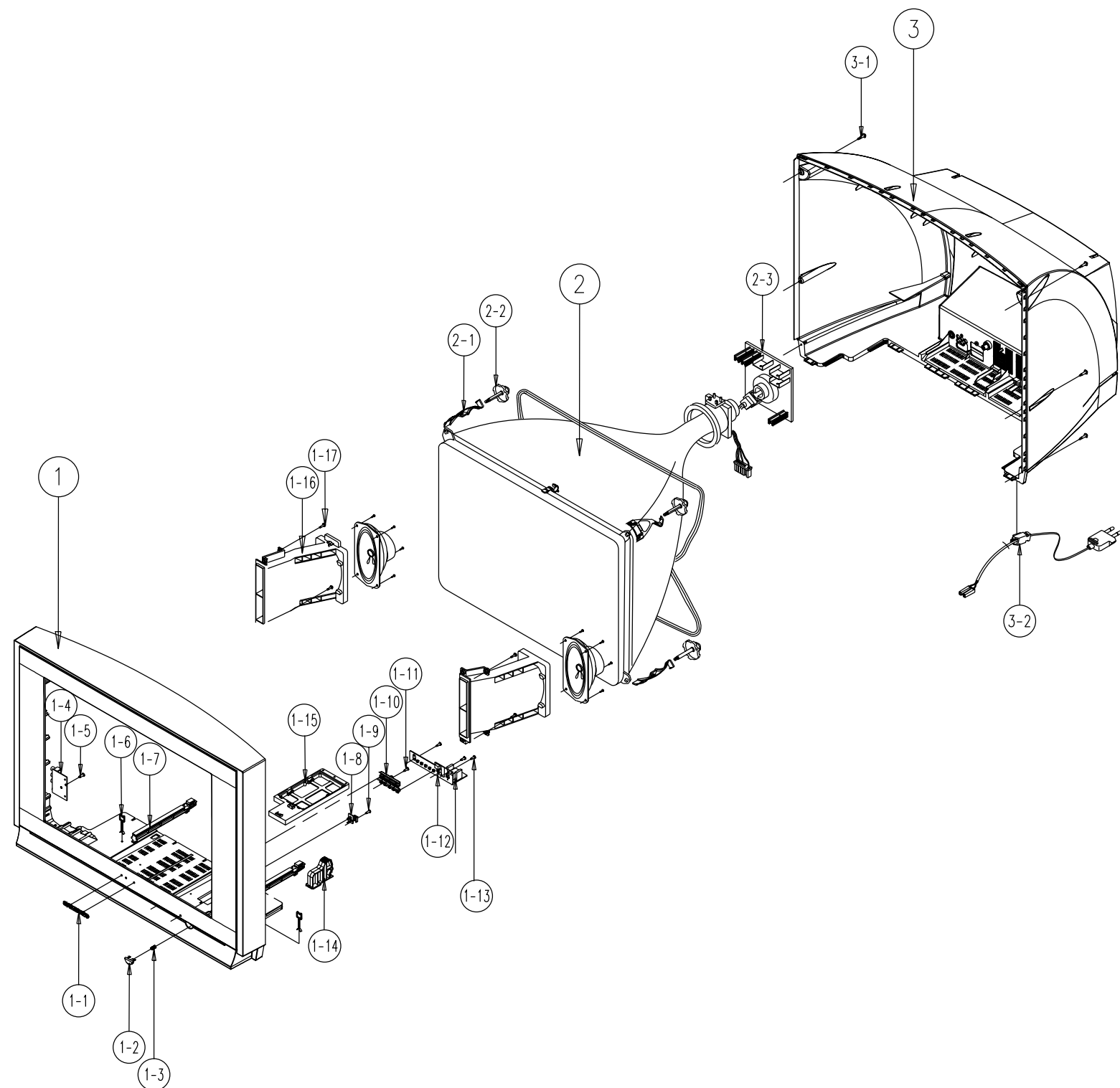
5. Exploded View & Parts List

5-1 TXM2796HFX/XAA



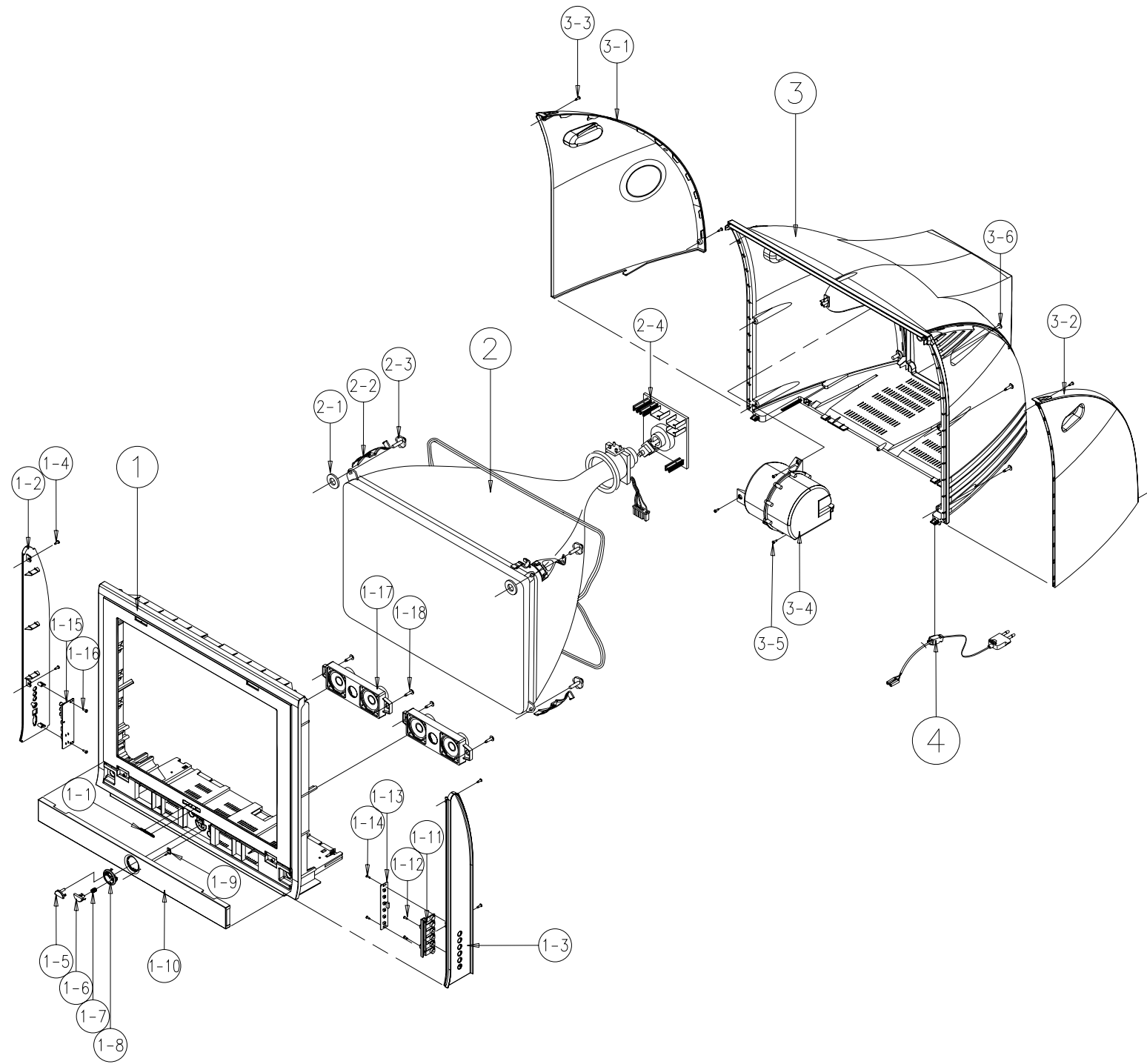
No	Code No	Description;Specification	Q'ty	Remark	S.N.A
1	AA64-02560B	CABINET-FRONT;TXM2796HF(29M9),HIPS,V0,BL	1		S.N.A
1-1	AA64-70117B	BADGE-BRAND;-AL,-,-,L65,R2000,SILVER,SS	1		S.N.A
1-2	AA64-02567A	KNOB-POWER;M9,ABS,HB,G3676,SVM3012	1		
1-3	AA61-60003J	SPRING ETC-CS;-SUS304,-,-,OD6,N7,OD6,-,	1		S.N.A
1-4	AA94-07797A	ASSY PCB MISC-A/V SIDE;TXM3297HFX/XAA,K5	1		
1-5	6003-001019	SCREW-TAPTITE;RH,+,B,M4,L12,ZPC(BLK),SWR	2	AV+CF	S.N.A
1-6	AA65-30105A	CLAMPER CORE-WIRE;ALL MODEL,NYLON 66,V2,	1		S.N.A
1-7	AA61-00711D	HOLDER-PCB;29U1,U2,HIPS V0,BK502(HB-PROP	1		
1-8	AA64-02568A	WINDOW-RMC,LED;M9,PC,CLR	1		
1-9	6003-001026	SCREW-TAPTITE;RH,+,B,M4,L15,ZPC(BLK),SWR	1	WIN+CF	S.N.A
1-10	AA64-02566A	KNOB-CONTROL;M9,ABS,HB,G3676,SVM3012	1		S.N.A
1-11	6003-001026	SCREW-TAPTITE;RH,+,B,M4,L15,ZPC(BLK),SWR	1	KC+CF	
1-12	AA94-07794A	ASSY PCB MISC-CONTROL;TXM3297HFX/XAA,K55	1		
1-13	6003-001026	SCREW-TAPTITE;RH,+,B,M4,L15,ZPC(BLK),SWR	3	PCB+CF	S.N.A
1-14	AA61-01065A	SUPPORT-CRT;29M9,HIPS HB,NTR	1		S.N.A
1-15	AA61-00552B	HOLDER-PCB;29K3,HIPS,-,-,-,BLK,V0	2		S.N.A
1-16	AA91-00507A	ASSY HOLDER SPK;-,-,80HM/15W,-,ASSY HOLD	1		
1-17	6006-001095	SCREW-ASS'Y TAPT;WP,BH,+,M4,L12,ZPC(YEL)	8	SPK+CF	S.N.A
2	AA03-00076A	CRT COLOR;A68QCP891X004(C),+380mG,0.315m	1		
2-1	AA65-30113A	CLAMPER CORE-D,COIL;-NYLON 66,V2,-,BLK,	2		S.N.A
2-2	AA60-10050V	SCREW-ASSY;-SWRCH18A,M6,L30,HH,+,WC,-,Z	4	CRT+CF	S.N.A
2-3	3704-001032	SOCKET-CRT;8P,29PI,35.5PI,AU30U	1	V999S	
3	AA64-02563A	CABINET-BACK;29M9,HIPS,V0,BLK	1		S.N.A
3-1	AA60-10050T	SCREW-TAPPING;-SWRCH18A,M4,L20,RH,+,2S,	5	CB+CF	S.N.A
3-2	AA96-20129B	ASSY POWER CORD;-EP2/YES,H/C400,ME301P,	1		S.N.A

5-2 TXM2797HFX/XAA



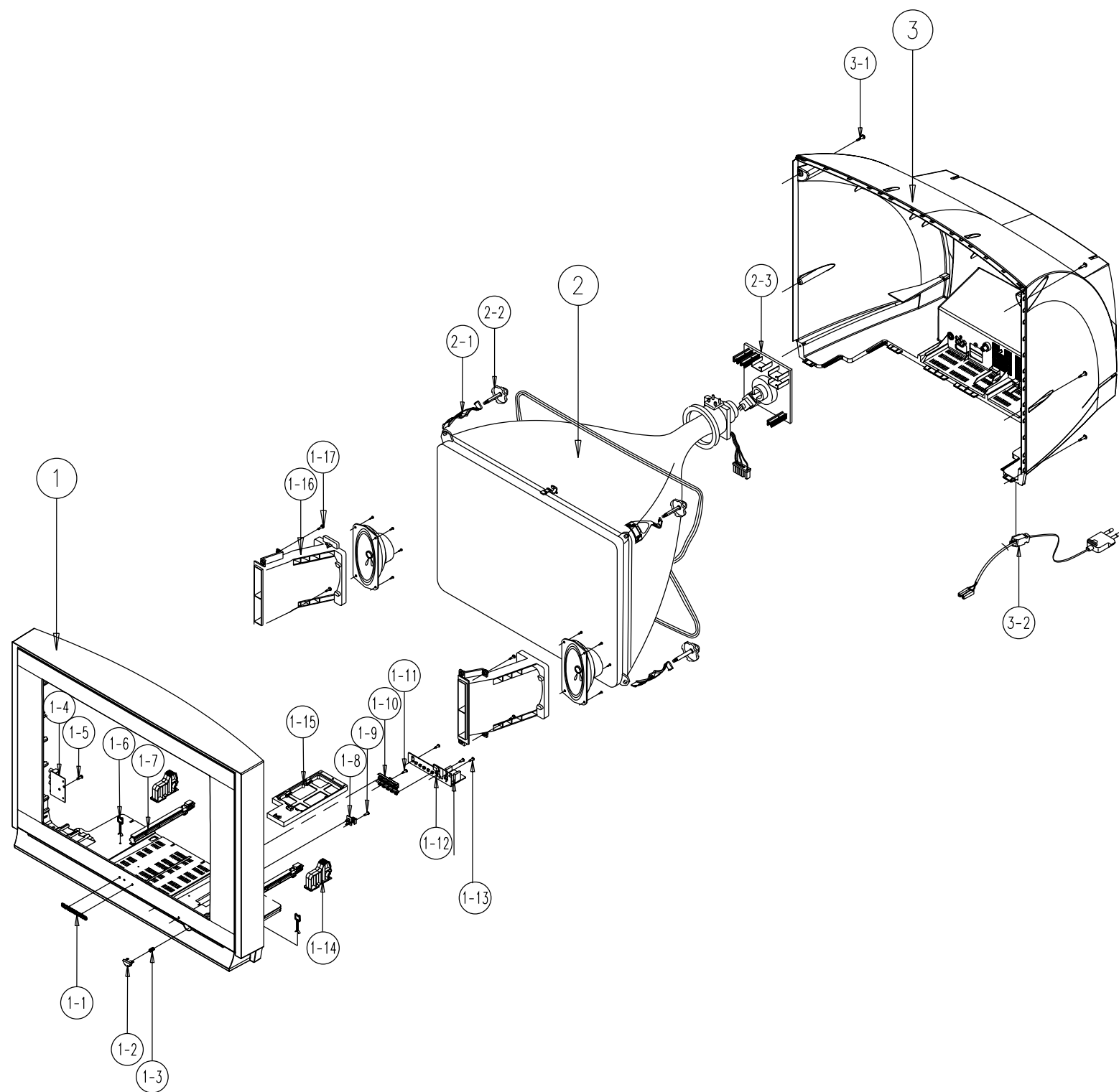
No	Code No	Description;Specification	Q'ty	Remark	S.N.A
1	AA64-02560A	CABINET-FRONT;TXM2797HF(29M9),HIPS,V0,BL	1		S.N.A
1-1	AA64-70117B	BADGE-BRAND;-AL,-,-,L65,R2000,SILVER,SS	1		S.N.A
1-2	AA64-02567A	KNOB-POWER;M9,ABS,HB,G3676,SVM3012	1		
1-3	AA61-60003J	SPRING ETC-CS;-,-,SUS304,-,-,OD6,N7,OD6,-,-	1		S.N.A
1-4	AA94-07797A	ASSY PCB MISC-A/V SIDE;TXM3297HFX/XAA,K5	1		
1-5	6003-001019	SCREW-TAPTITE;RH,+,B,M4,L12,ZPC(BLK),SWR	2	AV+CF	S.N.A
1-6	AA65-00011C	CLAMPER CORE-WIRE;ALL MODEL,NYLON 66,V2,	1		S.N.A
1-7	AA61-00711D	HOLDER-PCB;29U1,U2,HIPS V0,BK502(HB-PROP	1		
1-8	AA64-02568A	WINDOW-RMC,LED;M9,PC,CLR	1		
1-9	6003-001026	SCREW-TAPTITE;RH,+,B,M4,L15,ZPC(BLK),SWR	1	WIN+CF	S.N.A
1-10	AA64-02566A	KNOB-CONTROL;M9,ABS,HB,G3676,SVM3012	1		
1-11	6003-001026	SCREW-TAPTITE;RH,+,B,M4,L15,ZPC(BLK),SWR	1	KC+CF	S.N.A
1-12	AA94-07794A	ASSY PCB MISC-CONTROL;TXM3297HFX/XAA,K55	1		
1-13	6003-001026	SCREW-TAPTITE;RH,+,B,M4,L15,ZPC(BLK),SWR	3	PCB+CF	S.N.A
1-14	AA61-01065A	SUPPORT-CRT;29M9,HIPS HB,NTR	1		S.N.A
1-15	AA61-00552B	HOLDER-PCB;29K3,HIPS,-,-,-,BLK,V0	2		S.N.A
1-16	AA91-00507A	ASSY HOLDER SPK;-,-,80HM/15W,-,ASSY HOLD	1		
1-17	6006-001095	SCREW-ASS'Y TAPT;WP,BH,+,M4,L12,ZPC(YEL)	8	SPK+CF	S.N.A
2	AA03-00076A	CRT COLOR;A68QCP891X004(C),+380mG,0.315m	1		
2-1	AA65-30017A	CLAMPER CORE-D,COIL;-,-,NYLON-66,V0,-,NTR,	2		S.N.A
2-2	AA60-10050V	SCREW-ASSY;-,-,SWRCH18A,M6,L30,HH,+,WC,-,Z	4	CRT+CF	S.N.A
2-3	3704-001032	SOCKET-CRT;8P,29PI,35.5PI,AU30U	1	V999S	
3	AA64-02563A	CABINET-BACK;29M9,HIPS,V0,BLK	1		S.N.A
3-1	AA60-10050T	SCREW-TAPPING;-,-,SWRCH18A,M4,L20,RH,+,2S,	5	CB+CF	S.N.A
3-2	AA96-20129B	ASSY POWER CORD;-,-,EP2/YES,H/C400,ME301P,	1		S.N.A

5-3 TXM2798 HFX/XAA



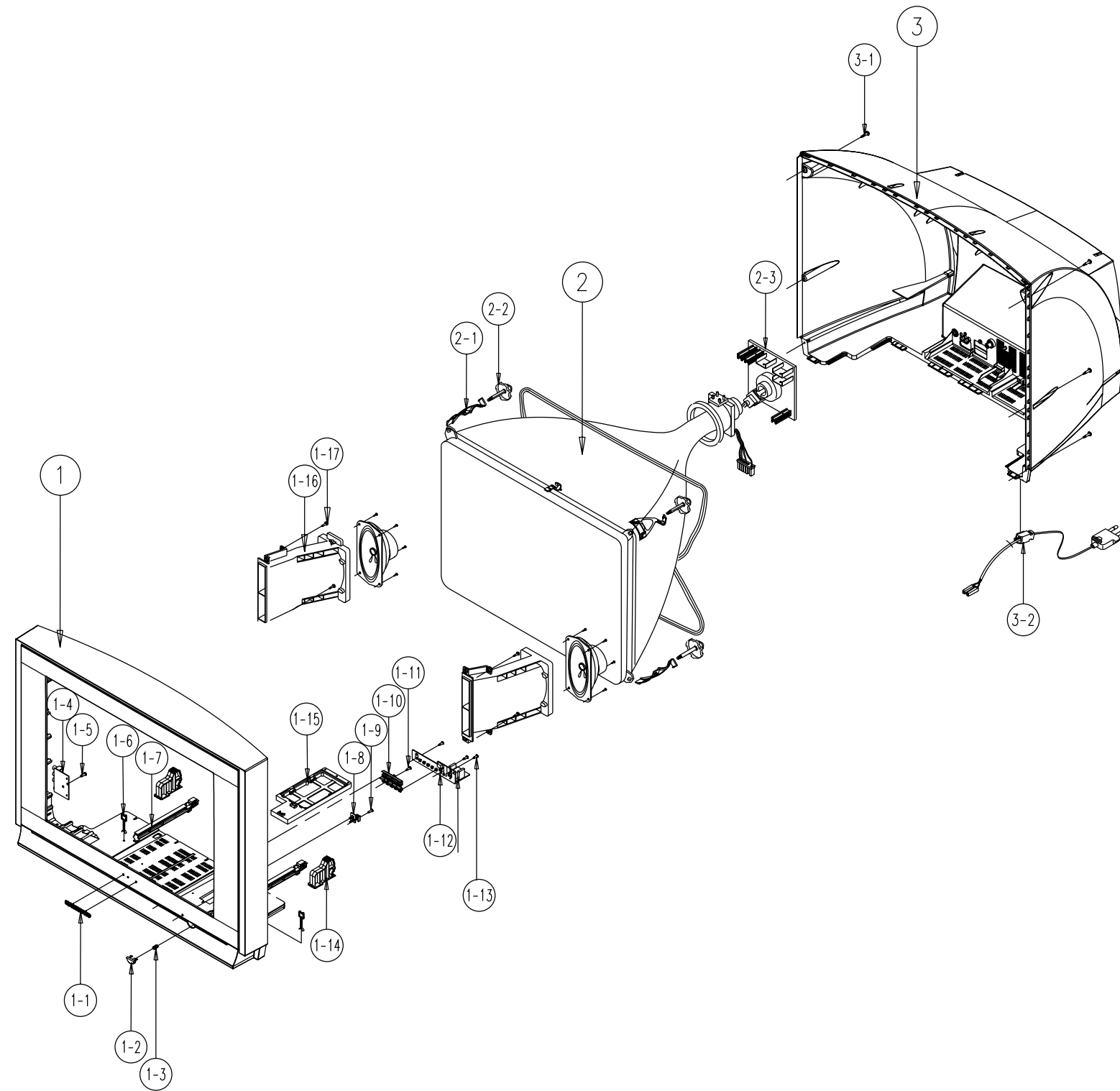
No	Code No	Description;Specification	Q'ty	Remark	S.N.A
1	AA64-02650B	CABINET-FRONT;TXM2798,HIPS,VO,W91499,SV0	1		
1-1	AA64-01062B	BADGE-BRAND;32Z5,AL FORGING,-,L65,-,SI	1		S.N.A
1-2	AA63-00556B	COVER-AV;29Z7,HIPS,VO,G4309,DGN-1189	1		
1-3	AA63-00555B	COVER-CONTROL;29Z7,HIPS,VO,G4309,DGN-118	1		
1-4	6003-001268	SCREW-TAPTITE;TH,+,B,M4.0,L12.0,ZPC(YEL)	2	CC+CF	S.N.A
1-5	AA64-02665A	WINDOW-RMC;Z7,PC,VIOLET	1		
1-6	AA64-02663A	KNOB-POWER;Z7,PC,VIOLET	1		
1-7	AA61-60003J	SPRING ETC-CS,-,SUS304,-,OD6,N7,OD6,-,	1	KNOPOW	S.N.A
1-8	AA64-02664A	DECORATION-POWER;Z7,ABS,HB,NTR	1		
1-9	AA64-02666A	INDICATOR LED;Z7,ACRYL,CLR	1		
1-10	AA64-02656B	GRILLE-SPEAKER;29Z7,HIPS,VO,G4309,DG-703	1		
1-11	AA64-02662A	KNOB-CONTROL;Z7,ABS,HB,G3676,S104M+W971	1		
1-12	6003-001019	SCREW-TAPTITE;RH,+,B,M4,L12,ZPC(BLK),SWR	2	KC+CC	S.N.A
1-13	AA41-00618A	PCB-CONTROL(Z4);CT-20MH8,FR-1,1L,A,1.6T,	1	PCB	S.N.A
1-14	6003-001268	SCREW-TAPTITE;TH,+,B,M4.0,L12.0,ZPC(YEL)	3	AV+CV	S.N.A
1-15	AA41-00620B	PCB-A/V SIDE(Z7);CT-29Z7HR,FR-1,1L,B,1.6	1	PCB	S.N.A
1-16	6003-001268	SCREW-TAPTITE;TH,+,B,M4.0,L12.0,ZPC(YEL)	3	CPC+CC	S.N.A
1-17	AA91-03959A	ASSY HOLDER SPK;-,-,80HM/10W,-,FRONT SPE	1		
1-18	6003-001026	SCREW-TAPTITE;RH,+,B,M4,L15,ZPC(BLK),SWR	4	GS+CF	S.N.A
2	AA03-00076A	CRT COLOR;A68QCP891X004(C),+380mG,0.315m	1		
2-1	AA63-60004Y	SPACER-GUM,CRT;ALL MODEL,NTR RUBBER,-,-,	4		S.N.A
2-2	AA65-00019A	CLAMPER CORE-D,COIL;25-34,NYLON 66,V2,N	4		S.N.A
2-3	AA60-10050V	SCREW-ASSY;-,-,SWRCH18A,M6,L30,HH,+,WC,-,Z	4	CRT+CF	S.N.A
2-4	3704-001032	SOCKET-CRT;8P;29PI,35.5PI,AU30U	1	V999S	
3	AA64-02651B	CABINET BACK;29Z7,HIPS,VO,G4309,SV012P	1		
3-1	AA63-00562A	COVER-BACK,L;29Z7,ABS,HB,G4309,DGM2188	1		S.N.A
3-2	AA63-00563A	COVER-BACK,R;29Z7,ABS,HB,G4309,DGM2188	1		S.N.A
3-3	AA60-10050T	SCREW-TAPPING;-,-,SWRCH18A,M4,L20,RH,+,2S,	4	CV+CB	S.N.A
3-4	AA91-03960A	ASSY HOLDER SPK;-,-,80HM/25W,-,WOOFER SP	1		
3-5	6006-001095	SCREW-ASS'Y TAPT;WP,BH,+,M4,L12,ZPC(YEL)	3	WOO+CB	S.N.A
3-6	AA60-10050T	SCREW-TAPPING;-,-,SWRCH18A,M4,L20,RH,+,2S,	5	CB+CF	S.N.A
4	AA96-20129A	ASSY POWER CORD;-,-,EP2/YES,H/C300,ME301P,	1		

5-4 TXM3096WHFXXAA



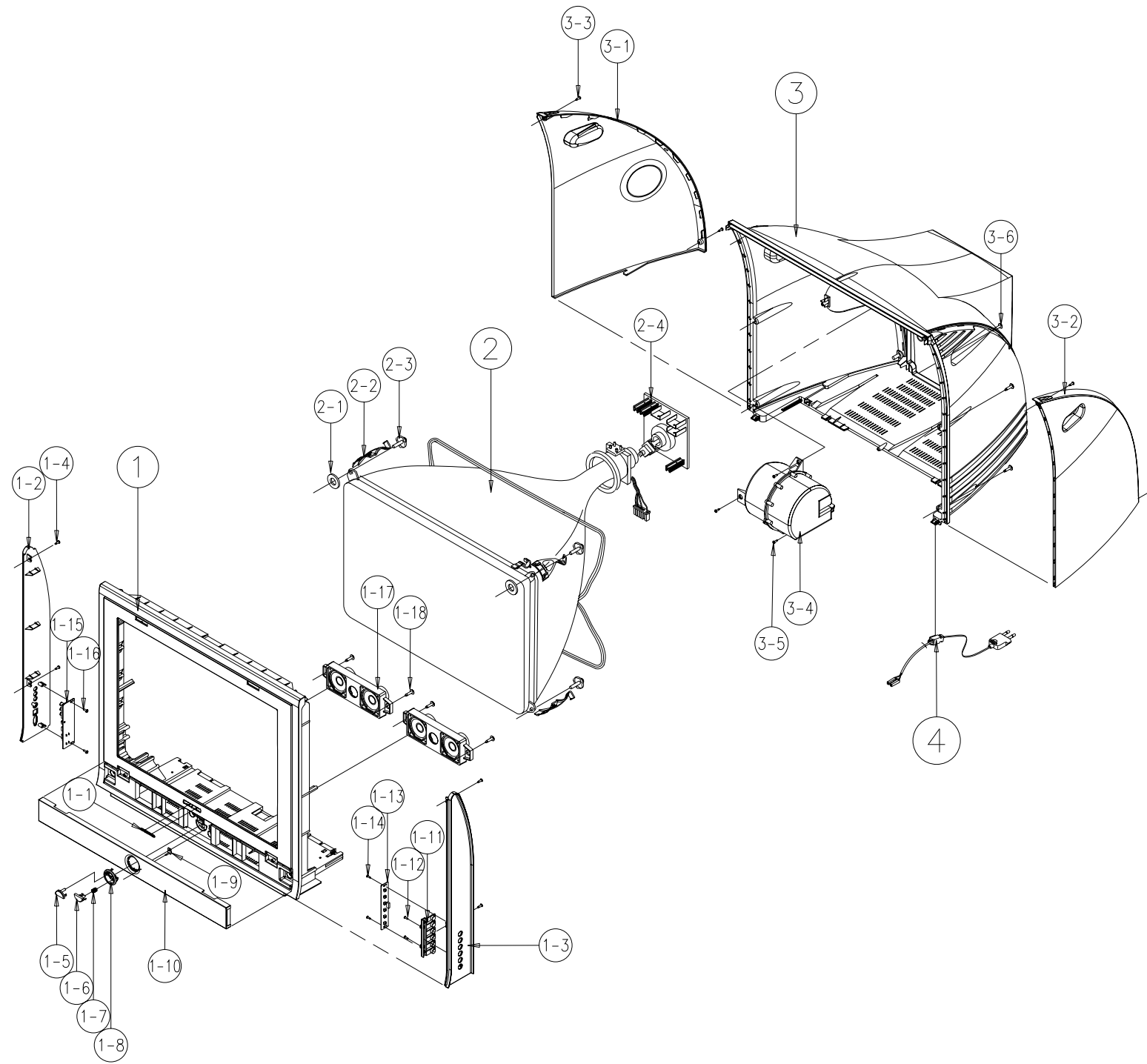
No	Code No	Description;Specification	Q'ty	Remark	S.N.A
1	AA64-03169A	CABINET-FRONT;32M9,HIPS,V0,BLK,DG703P	1	A/CF	
1-1	AA64-70117B	BADGE-BRAND;AL,SS,R2000,25,SILVER CT-633	1	BADGE	
1-2	AA64-02567A	KNOB-POWER;M9,ABS,HB,G3676,SVM3012	1	KP	
1-3	AA61-60003J	SPRING-CS;-,-,SUS304,0.5,OD6,H	1	SPRING	
1-4	AA96-00971A	ASSY MISC A/V SIDE,TXM3297,2797,SEA,K55A	1	A/SIDE	
1-5	6003-001019	SCREW-TAPTITE;RH,+,B,M4,L12,ZPC(BLK),SWR	2	AV+CF	
1-6	AA65-00011C	CLAMP-WIRE;ALL MODEL,NYLON 66,V2,NTR,25M	1	CW	
1-7	AA61-00711B	HOLDER-PCB;29U1,U2,HIPS FV2,BK502(HB-PRO	2	H/PCB	
1-8	AA64-02568A	WINDOW-RMC,LED;M9,PC,CLR	1	WR	
1-9	6003-001026	SCREW-TAPTITE;RH,+,B,M4,L15,ZPC(BLK),SWR	1	WR+CF	
1-10	AA64-02566A	KNOB-CONTROL;M9,ABS,HB,G3676,SVM3012	1	KC	
1-11	6003-001026	SCREW-TAPTITE;RH,+,B,M4,L15,ZPC(BLK),SWR	1	KC+CF	
1-12	AA96-00969A	ASSY MISC P;CONTROL TXM3297,2797,K55A	1	A/CTRL	
1-13	6003-001026	SCREW-TAPTITE;RH,+,B,M4,L15,ZPC(BLK),SWR	3	PCB+CF	
1-14	AA61-01009A	SUPPORT-CRT,29K7,HIPS,V0	2	S/CRT	
1-15	AA61-00552B	HOLDER-PCB;29K3,HIPS,-,-,-,BLK,V0	1	H/PCB	
1-16	AA91-00507B	ASSY HOLDER SPK;DP,-,8ohm/15W,-,29K1 CKD	1	A/HSPK	
1-17	6006-001095	SCREW-ASS'Y TAPT;WP,BH,+,M4,L12,ZPC(YEL)	8	SPK+CF	
2	AA03-00339A	CRT COLOR;W76QEN891X001,380MG,0.302MH,12	1	CRT	
2-1	AA61-00997A	HOLDER-D,COIL;32Z5,NYLON 66	4	CDCOIL	
2-2	AA60-10050V	SCREW-ASSY;WC,HH,+,M6,L30,SWRCH18A,ZPC(S	4	CRT+CF	
2-3	3704-001032	SOCKET-CRT;8P,29PI,35.5PI,AU30U	1	V999S	
3	AA64-02564A	CABINET-BACK;32M9,HIPS,V0,BLK	1	B/C	
3-1	6003-001026	SCREW-TAPTITE;RH,+,B,M4,L15,ZPC(BLK),SWR	8	CB+CF	
3-2	AA96-20129B	ASSY-POWER,CORD;-,-,EP2,H/CD=450,ME301P,	1	PWR/AC	

5-5 TXM3097WHFXXAA



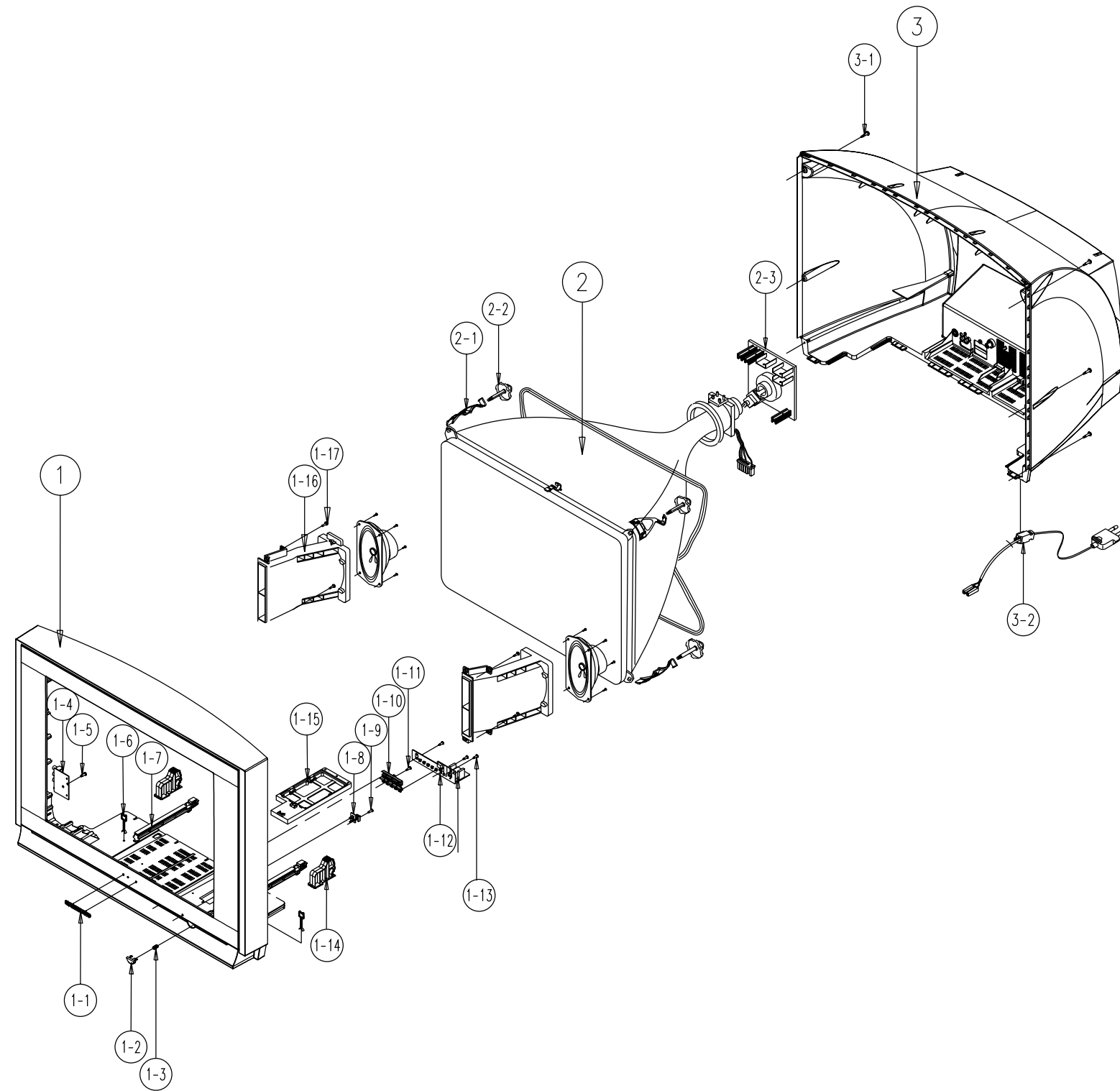
No	Code No	Description;Specification	Q'ty	Remark	S.N.A
1	AA64-02561A	CABINET-FRONT;TXM3097WHF(32M9),HIPS,V0,B	1		S.N.A
1-1	AA64-70117B	BADGE-BRAND;-AL,-,-,L65,R2000,SILVER,SS	1		S.N.A
1-2	AA64-02567A	KNOB-POWER;M9,ABS,HB,G3676,SVM3012	1		
1-3	AA61-60003J	SPRING ETC-CS;-SUS304,-,-,OD6,N7,OD6,-,	1		S.N.A
1-4	AA94-07797A	ASSY PCB MISC-A/V SIDE;TXM3297HFX/XAA,K5	1		
1-5	6003-001019	SCREW-TAPTITE;RH,+,B,M4,L12,ZPC(BLK),SWR	2	AV+CF	S.N.A
1-6	AA65-30105A	CLAMPER CORE-WIRE;ALL MODEL,NYLON 66,V2,	1		S.N.A
1-7	AA61-00711D	HOLDER-PCB;29U1,U2,HIPS V0,BK502(HB-PROP	2		
1-8	AA64-02568A	WINDOW-RMC,LED;M9,PC,CLR	1		
1-9	6003-001026	SCREW-TAPTITE;RH,+,B,M4,L15,ZPC(BLK),SWR	1	WIN+CF	S.N.A
1-10	AA64-02566A	KNOB-CONTROL;M9,ABS,HB,G3676,SVM3012	1		
1-11	6003-001026	SCREW-TAPTITE;RH,+,B,M4,L15,ZPC(BLK),SWR	1	KC+CF	S.N.A
1-12	AA94-07794A	ASSY PCB MISC-CONTROL;TXM3297HFX/XAA,K55	1		
1-13	6003-001026	SCREW-TAPTITE;RH,+,B,M4,L15,ZPC(BLK),SWR	3	PCB+CF	S.N.A
1-14	AA61-01009A	SUPPORT-CRT;29K7,HIPS V0	2		S.N.A
1-15	AA61-00552B	HOLDER-PCB;29K3,HIPS,-,-,-,BLK,V0	1		S.N.A
1-16	AA91-00507A	ASSY HOLDER SPK;-,-,80HM/15W,-,ASSY HOLD	1		
1-17	6006-001095	SCREW-ASS'Y TAPT;WP,BH,+,M4,L12,ZPC(YEL)	8	SPK+CF	S.N.A
2	AA03-00243A	CRT COLOR;W76QDD559XV9,+380MG,0.3MH,8.3M	1		
2-1	AA65-30113A	CLAMPER CORE-D,COIL;-NYLON 66,V2,-,BLK,	2		S.N.A
2-2	AA60-10050V	SCREW-ASSY;-SWRCH18A,M6,L30,HH,+,WC,-,Z	4	CRT+CF	S.N.A
2-3	3704-001032	SOCKET-CRT;8P,29PI,35.5PI,AU30U	1	V999S	
3	AA64-02564A	CABINET-BACK;32M9,HIPS,V0,BLK	1		S.N.A
3-1	AA60-10050T	SCREW-TAPPING;-SWRCH18A,M4,L20,RH,+,2S,	7	CB+CF	S.N.A
3-2	AA96-20129A	ASSY POWER CORD;-EP2/YES,H/C300,ME301P,	1		

5-6 TXM3098WHFXXAA



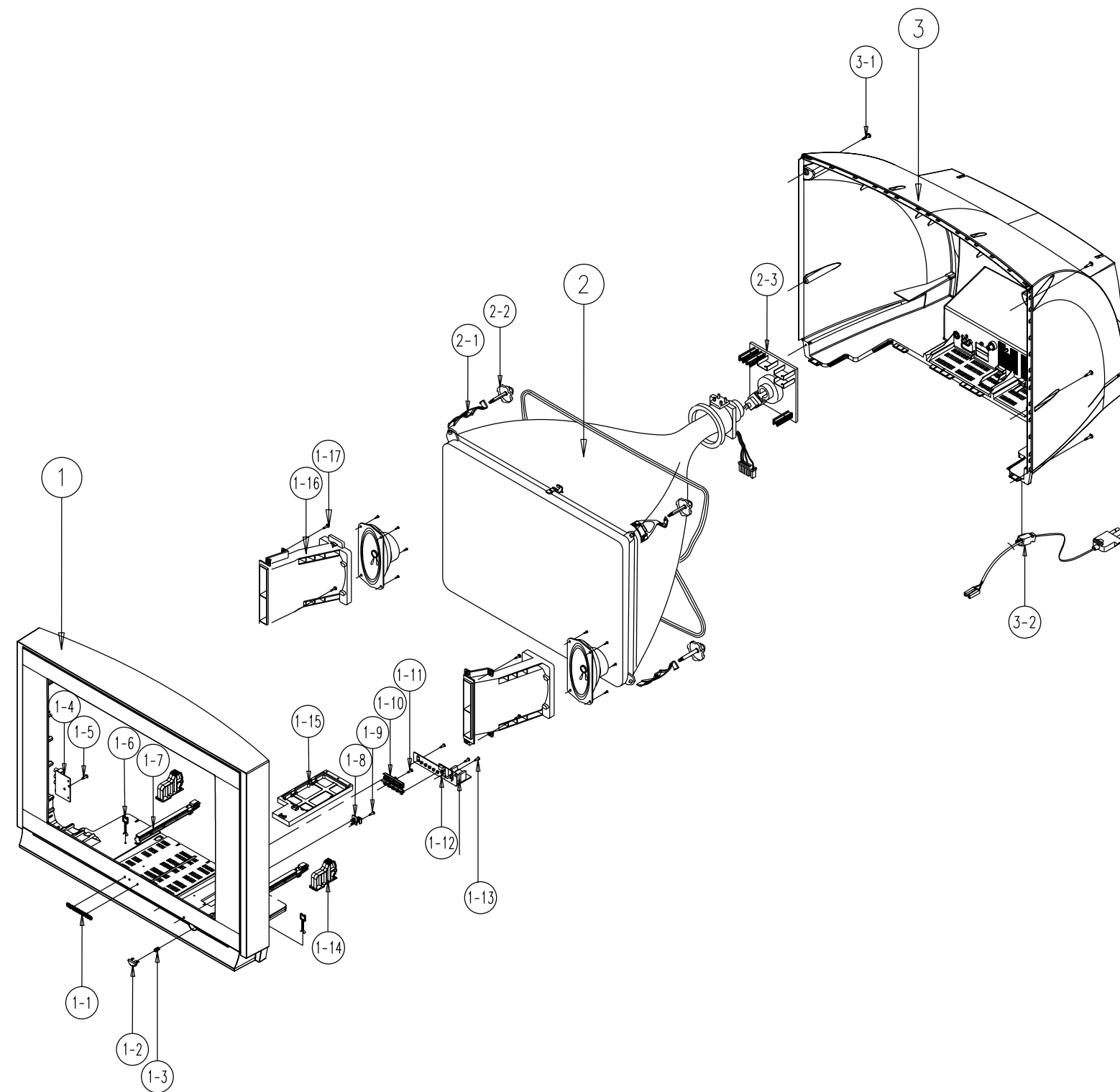
No	Code No	Description;Specification	Q'ty	Remark	S.N.A
1	AA64-02652C	CABINET-FRONT;TXM3098,HIPS,VO,W91499,SV0 1			
1-1	AA64-01062B	BADGE-BRAND;32Z5,AL FORGING,-,L65,-,SI	1		S.N.A
1-2	AA63-00556B	COVER-AV;29Z7,HIPS,VO,G4309,DGN-1189	1		
1-3	AA63-00555B	COVER-CONTROL;29Z7,HIPS,VO,G4309,DGN-118	1		
1-4	6003-001268	SCREW-TAPTITE;TH,+,B,M4.0,L12.0,ZPC(YEL)	2	CC+CF	S.N.A
1-5	AA64-02665A	WINDOW-RMC;Z7,PC,VIOLET	1		
1-6	AA64-02663A	KNOB-POWER;Z7,PC,VIOLET	1		
1-7	AA61-60003J	SPRING ETC-CS,-,SUS304,-,OD6,N7,OD6,-,	1	KNOPOW	S.N.A
1-8	AA64-02664A	DECORATION-POWER;Z7,ABS,HB,NTR	1		
1-9	AA64-02666A	INDICATOR LED;Z7,ACRYL,CLR	1		
1-10	AA64-02657B	GRILLE-SPEAKER;32Z7,HIPS,VO,G4309,DG-703	1		
1-11	AA64-02662A	KNOB-CONTROL;Z7,ABS,HB,G3676,S104M+W971	1		
1-12	6003-001019	SCREW-TAPTITE;RH,+,B,M4,L12,ZPC(BLK),SWR	2	KC+CC	S.N.A
1-13	AA41-00618A	PCB-CONTROL(Z4);CT-20MH8,FR-1,1L,A,1.6T,	1	PCB	S.N.A
1-14	6003-001268	SCREW-TAPTITE;TH,+,B,M4.0,L12.0,ZPC(YEL)	3	AV+CV	S.N.A
1-15	AA41-00620B	PCB-A/V SIDE(Z7);CT-29Z7HR,FR-1,1L,B,1.6	1	PCB	S.N.A
1-16	6003-001268	SCREW-TAPTITE;TH,+,B,M4.0,L12.0,ZPC(YEL)	3	CPC+CC	S.N.A
1-17	AA91-03959A	ASSY HOLDER SPK;-,.80HM/10W,-,FRONT SPE	1		
1-18	6003-001019	SCREW-TAPTITE;RH,+,B,M4,L12,ZPC(BLK),SWR	4	GS+CF	S.N.A
2	AA03-00339A	CRT COLOR;W76QEN891X001,380MG,0.302MH,12	1		
2-1	AA63-60004L	SPACER-GUM,CRT;- ,NTR RUBBER,-,,-,BLK,T3	4		S.N.A
2-2	AA61-00997A	HOLDER-D,COIL;32Z5,NYLON 66	4	D-COIL	S.N.A
2-3	AA60-10050V	SCREW-ASSY;- ,SWRCH18A,M6,L30,HH,+,WC,-,Z	4	CRT+CF	S.N.A
2-4	3704-001032	SOCKET-CRT;8P;29PI,35.5PI,AU30U	1	V999S	
3	AA64-02653B	CABINET BACK;32Z7,HIPS,VO,G4309,SV012P	1		
3-1	AA63-00562A	COVER-BACK,L;29Z7,ABS,HB,G4309,DGM2188	1		S.N.A
3-2	AA63-00563A	COVER-BACK,R;29Z7,ABS,HB,G4309,DGM2188	1		S.N.A
3-3	AA60-10050T	SCREW-TAPPING;- ,SWRCH18A,M4,L20,RH,+,2S,	4	CV+CB	S.N.A
3-4	AA91-03960A	ASSY HOLDER SPK;-,.80HM/25W,-,WOOFER SP	1		
3-5	6006-001095	SCREW-ASS'Y TAPT;WP;BH,+,M4,L12,ZPC(YEL)	3	WOO+CB	S.N.A
3-6	AA60-10050T	SCREW-TAPPING;- ,SWRCH18A,M4,L20,RH,+,2S,	5	CB+CF	S.N.A
4	AA96-20129B	ASSY POWER CORD;- ,EP2/YES,H/C400,ME301P,	1		S.N.A

5-7 TXM3296HFX/XAA



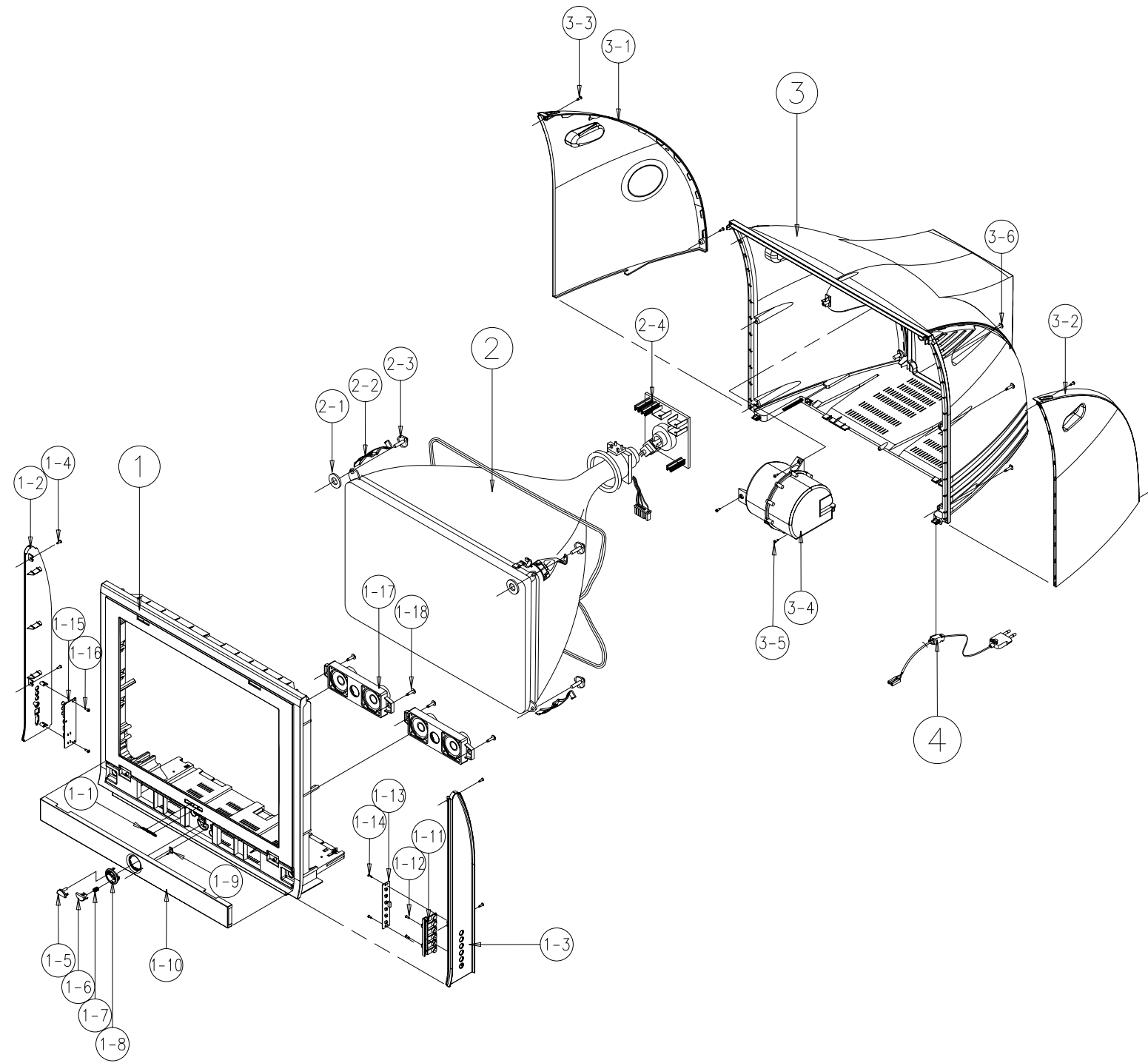
No	Code No	Description;Specification	Q'ty	Remark	S.N.A
1	AA64-03172A	CABINET-FRONT;34M9,HIPS,V0,BLK,DG703P	1	A/CF	
1-1	AA64-70124A	BADGE-BRAND;NEW,AL,-,-,L=70,FLAT,SILVER,	1	BADGE	
1-2	AA64-02567A	KNOB-POWER;M9,ABS,HB,G3676,SVM3012	1	KP	
1-3	AA61-60003J	SPRING-CS;-,-,SUS304,0.5,OD6,H	1	SPRING	
1-4	AA96-00971A	ASSY MISC,A/V SIDE,TXM3297,2797,SEA,K55A	1	A/SIDE	
1-5	6003-001019	SCREW-TAPTITE;RH,+,B,M4,L12,ZPC(BLK),SWR	2	AV+CF	
1-6	AA65-00011C	CLAMP-WIRE;ALL MODEL,NYLON 66,V2,NTR,25M	1	CWFCR	
1-7	AA61-00711B	HOLDER-PCB;29U1,U2,HIPS FV2,BK502(HB-PRO	2	H/PCB	
1-8	AA64-02568A	WINDOW-RMC,LED;M9,PC,CLR	1	WR	
1-9	6003-001026	SCREW-TAPTITE;RH,+,B,M4,L15,ZPC(BLK),SWR	1	WIN+CF	
1-10	AA64-02566A	KNOB-CONTROL;M9,ABS,HB,G3676,SVM3012	1	KC	
1-11	6003-001026	SCREW-TAPTITE;RH,+,B,M4,L15,ZPC(BLK),SWR	1	KC+CF	
1-12	AA96-00969A	ASSY MISC P;CONTROL TXM3297,2797,K55A	1	A/CTRL	
1-13	6003-001026	SCREW-TAPTITE;RH,+,B,M4,L15,ZPC(BLK),SWR	3	PCB+CF	
1-14	AA61-01065A	SUPPORT-CRT;29M9,HIPS HB,NTR	2	S/CRT	
1-15	AA61-00552B	HOLDER-PCB;29K3,HIPS,-,-,-,BLK,V0	1	H/PCB	
1-16	AA91-00507B	ASSY HOLDER SPK;DP,-,8ohm/15W,-,29K1 CKD	1	A/HSPK	
1-17	6006-001095	SCREW-ASS'Y TAPT;WP,BH,+,M4,L12,ZPC(YEL)	8	SPK+CF	
2	AA03-00357A	CRT COLOR;A80QE891X002,+380MG,0.35MH,9.	1	CRT	
2-1	AA27-00275A	COIL DEGAUSSING;SDI 34,14MH,10%,60TS,1	1	D-COIL	
2-2	AA60-10050V	SCREW-ASSY;WC,HH,+,M6,L30,SWRCH18A,ZPC(S	4	CRT+CF	
2-3	3704-001032	SOCKET-CRT;8P,29PI,35.5PI,AU30U	1	V999S	
3	AA64-02565A	CABINET-BACK;34M9,HIPS,V0,BLK	1	B/C	
3-1	6003-001026	SCREW-TAPTITE;RH,+,B,M4,L15,ZPC(BLK),SWR	8	CB+CF	
3-2	AA96-20129B	ASSY-POWER,CORD;-,-,EP2,H/CD=450,ME301P,	1	PWR/AC	

5-8 TXM3297HFX/XAA



No	Code No	Description;Specification	Q'ty	Remark	S.N.A
1	AA64-02562A	CABINET-FRONT;TXM3297HF(34M9),HIPS,V0,BL	1		S.N.A
1-1	AA64-70124C	BADGE-BRAND;-AL,-,-,L=70,SAMSUNG,SILVER	1		S.N.A
1-2	AA64-02567A	KNOB-POWER;M9,ABS,HB,G3676,SVM3012	1		
1-3	AA61-60003J	SPRING-CS;-SUS304,-,-,OD6,N7,OD6,-,-,-,	1		S.N.A
1-4	AA94-07797A	ASSY PCB MISC-A/V SIDE;TXM3297HFX/XAA,K5	1		
1-5	6003-001019	SCREW-TAPTITE;RH,+,B,M4,L12,ZPC(BLK),SWR	2	AV+CF	S.N.A
1-6	AA65-30105A	CLAMP-WIRE;ALL MODEL,NYLON 66,V2,-,NTR,1	1		S.N.A
1-7	AA61-00711D	HOLDER-PCB;29U1,U2,HIPS V0,BK502(HB-PROP	2		
1-8	AA64-02568A	WINDOW-RMC,LED;M9,PC,CLR	1		
1-9	6003-001026	SCREW-TAPTITE;RH,+,B,M4,L15,ZPC(BLK),SWR	1	WIN+CF	S.N.A
1-10	AA64-02566A	KNOB-CONTROL;M9,ABS,HB,G3676,SVM3012	1		
1-11	6003-001026	SCREW-TAPTITE;RH,+,B,M4,L15,ZPC(BLK),SWR	1	KC+CF	S.N.A
1-12	AA94-07794A	ASSY PCB MISC-CONTROL;TXM3297HFX/XAA,K55	1		
1-13	6003-001026	SCREW-TAPTITE;RH,+,B,M4,L15,ZPC(BLK),SWR	3	PCB+CF	S.N.A
1-14	AA61-01065A	SUPPORT-CRT;29M9,HIPS HB,NTR	2		S.N.A
1-15	AA61-00552B	HOLDER-PCB;29K3,HIPS,-,-,-,BLK,V0	1		S.N.A
1-16	AA91-00507A	ASSY HOLDER SPK;-,-,80HM/15W,-,ASSY HOLD	1		
1-17	6006-001095	SCREW-ASS'Y TAPT;WP,BH,+,M4,L12,ZPC(YEL)	4	SPK+CF	S.N.A
2	AA03-00357A	CRT COLOR;A80QEA891X002,+380MG,0.35MH,9.	1		
2-1	AA65-00019A	CLAMP CORE-D,COIL;25-34,NYLON 66,V2,NTR	4		S.N.A
2-2	AA60-10050V	SCREW-ASSY;-SWRCH18A,M6,L30,HH,+,WC,-,Z	4	CRT+CF	S.N.A
2-3	3704-001032	SOCKET-CRT;8P,29PI,35.5PI,AU30U	1	V999S	
3	AA64-02565A	CABINET-BACK;34M9,HIPS,V0,BLK	1		
3-1	AA60-10050T	SCREW-TAPPING;-SWRCH18A,M4,L20,RH,+,2S,	8	CB+CF	S.N.A
3-2	AA96-20129B	ASSY-POWER,CORD;-EP2/YES,H/C400,ME301P,	1		S.N.A

5-9 TXM3298HFX/XAA



No	Code No	Description;Specification	Q'ty	Remark	S.N.A
1	AA64-02654B	CABINET-FRONT;TXM3298,HIPS,VO,W91499,SV0	1		
1-1	AA64-70124C	BADGE-BRAND;-AL,-,-,L=70,SAMSUNG,SILVER	1		S.N.A
1-2	AA63-00560B	COVER-AV;34Z7,HIPS,VO,G4309,DGN-1189	1		
1-3	AA63-00559B	COVER-CONTROL;34Z7,HIPS,VO,G4309,DGN-118	1		
1-4	6003-001268	SCREW-TAPTITE;TH,+B,M4.0,L12.0,ZPC(YEL)	2	CC+CF	S.N.A
1-5	AA64-02665A	WINDOW-RMC;Z7,PC,VIOLET	1		
1-6	AA64-02663A	KNOB-POWER;Z7,PC,VIOLET	1		
1-7	AA61-60003J	SPRING-CS;-SUS304,-,-,OD6,N7,OD6,-,-,-	1	KNOPOW	S.N.A
1-8	AA64-02664A	DECORATION-POWER;Z7,ABS,HB,NTR	1		
1-9	AA64-02666A	INDICATOR LED;Z7,ACRYL,CLR	1		
1-10	AA64-02657B	GRILLE-SPEAKER;32Z7,HIPS,VO,G4309,DG-703	1		
1-11	AA64-02662A	KNOB-CONTROL;Z7,ABS,HB,G3676,S104M+W971	1		
1-12	6003-001019	SCREW-TAPTITE;RH,+B,M4,L12,ZPC(BLK),SWR	2	KC+CC	S.N.A
1-13	AA41-00618A	PCB-CONTROL(Z4);CT-20MH8,FR-1,1L,A,1.6T,	1	PCB	S.N.A
1-14	6003-001268	SCREW-TAPTITE;TH,+B,M4.0,L12.0,ZPC(YEL)	3	AV+CV	S.N.A
1-15	AA41-00620B	PCB-A/V SIDE(Z7);CT-29Z7HR,FR-1,1L,B,1.6	1	PCB	S.N.A
1-16	6003-001268	SCREW-TAPTITE;TH,+B,M4.0,L12.0,ZPC(YEL)	2	CPC+CC	S.N.A
1-17	AA91-03959A	ASSY HOLDER SPK;-,-.80HM/10W,-FRONT SPE	1		
1-18	6003-001019	SCREW-TAPTITE;RH,+B,M4,L12,ZPC(BLK),SWR	4	GS+CF	S.N.A
2	AA03-00357A	CRT COLOR;A80QE891X002,+380MG,0.35MH,9.	1		
2-1	AA60-00055A	SPACER-GUM,CRT;ALL MODEL,NTR RUBBER,-,-,	4		S.N.A
2-2	AA65-30113A	CLAMP-D,COIL;-NYLON 66,V2,-,BLK,TVI 25~	4	D-COIL	S.N.A
2-3	AA60-10050V	SCREW-ASSY;-SWRCH18A,M6,L30,HH,+WC,-,Z	4	CRT+CF	S.N.A
2-4	3704-001032	SOCKET-CRT;8P,29PI,35.5PI,AU30U	1	V999S	
3	AA64-02655B	CABINET BACK;34Z7,HIPS,VO,G4309,SV012P	1		
3-1	AA63-00566A	COVER-BACK,L;34Z7,ABS,HB,G4309,DGM2188	1		S.N.A
3-2	AA63-00567A	COVER-BACK,R;34Z7,ABS,HB,G4309,DGM2188	1		S.N.A
3-3	AA60-10050T	SCREW-TAPPING;-SWRCH18A,M4,L20,RH,+2S,	2	CV+CB	S.N.A
3-4	AA91-03960A	ASSY HOLDER SPK;-,-.80HM/25W,-WOOFER SP	1		
3-5	6006-001095	SCREW-ASS'Y TAPT;WP,BH,+M4,L12,ZPC(YEL)	3	WOO+CB	S.N.A
3-6	AA60-10050T	SCREW-TAPPING;-SWRCH18A,M4,L20,RH,+2S,	6	CB+CF	S.N.A
4	AA96-20129B	ASSY-POWER,CORD;-EP2/YES,H/C400,ME301P,	1		S.N.A

6. Electrical Parts List

6-1 TXM3298HFX/XAA

Loc. No.	Code No.	Description ; Specification	Remark	Loc. No.	Code No.	Description ; Specification	Remark	
ASSY CHASSIS								
1	*	AA91-04860P	ASSY CHASSIS;TXM3298HFX/XAA					
.2	C-BLOC	6003-000333	SCREW-TAPTITE;RH,+,2S,M3,L10,ZPC(YEL),SW	S.N.A	...	AA97-07229F	ASSY AUTO-WOOFER;CT-29Z7HR,K55A	
.2	D-FOCU	6003-000333	SCREW-TAPTITE;RH,+,2S,M3,L10,ZPC(YEL),SW	S.N.A	...4	CNW02	3711-002642	CONNECTOR-HEADER;BOX,3P,1R,2.5mm,STRAIGH
.2	MP+HC	6003-000333	SCREW-TAPTITE;RH,+,2S,M3,L10,ZPC(YEL),SW	S.N.A	...4	CW01	2401-002216	C-AL;2200uF;20%,35V,GP,TP,16x25,7.5
.2	TBA+HC	6006-001095	SCREW-ASS'Y TAPT;WP,BH,+,M4,L12,ZPC(YEL)	S.N.A	...4	CW02	2305-000665	C-FILM,MPEF;100nF,5%,63V,TP,7.5x4.0x5.0m
.2	WP+HC	6003-000333	SCREW-TAPTITE;RH,+,2S,M3,L10,ZPC(YEL),SW	S.N.A	...4	CW04	2305-000665	C-FILM,MPEF;100nF,5%,63V,TP,7.5x4.0x5.0m
.2		AA94-08584N	ASSY PCB MISC-A/V SIDE;TXM3298HFX/XAA,K5		...4	CW05	2401-000603	C-AL;1uF,20%,50V,GP,TP,5x11.5
...3	CN701	AA39-20071G	LEAD CONNECTOR ASSY;K55A;VVT-32Z7HR,UL100		...4	CW06	2401-000365	C-AL;100uF,20%,50V,WT,TP,10x12.5mm,
...3	CN703	AA39-20069A	LEAD CONNECTOR-ASSY;5PYBNH025-05,67096		...4	CW07	2401-000603	C-AL;1uF,20%,50V,GP,TP,5x11.5
...3	CN704	AA39-00070B	LEAD CONNECTOR-ASSY;4PYBNH250-04,35184		...4	CW09	2301-000289	C-FILM,PEF;5.6nF,5%,50V,TP,7x6x3.5
...3	CPC+CC	6003-001268	SCREW-TAPTITE;TH,+,B,M4.0,L12.0,ZPC(YEL)	S.N.A	...4	CW10	2305-000665	C-FILM,MPEF;100nF,5%,63V,TP,7.5x4.0x5.0m
...3	JA701	3722-001164	JACK-PIN;3P,3.4mm,SN,WH;YE,RE,#16-22		...4	CW12	2305-000665	C-FILM,MPEF;100nF,5%,63V,TP,7.5x4.0x5.0m
...3	JK04	3722-000544	JACK-VHS;4P,11.5mm,AG,BLK,N		...4	EYW01	AA60-40011A	EYELET;ID2.0,OD2.8,-,BST,-
...3	JKH701	3722-001061	JACK-PHONE;1P,3.6PL,AG,BLK,N		...4	EYW02	AA60-40011A	EYELET;ID2.0,OD2.8,-,BST,-
...3		AA96-00918B	ASSY COVER P-COVER A/V;34Z7, TXM3298HFX,HI		...4	PCB	AA41-00588A	PCB-WOOFER;CT-29M8HR,FR-1,1L,A,1.6T,330X
...4		AA63-00560B	COVER-AV;34Z7,HIPS,VO,G4309,DGN-1189		...4	RW01	2001-001088	R-CARBON(S);1KOHM,5%,1/2W,AA,TP,2.4X6.4M
...4		AA64-02667C	INLAY-AV;Z7,PS SHEET,TO.3,DGN-K189,K55A		...4	RW02	2001-001071	R-CARBON(S);12KOHM,5%,1/2W,AA,TP,2.4X6.4
...4		AA97-07229H	ASSY AUTO-A/V SIDE;CT-29Z7HR,K55A	S.N.A	...4	RW05	2001-001050	R-CARBON(S);1.5KOHM,5%,1/2W,AA,TP,2.4X6.4
...4	C701	2202-000121	C-CERAMIC,MLC-AXIAL;100pF,10%,50V,Y5P,TP		...4	RW06	2001-000085	R-CARBON(S);100KOHM,5%,1/2W,AA,TP,2.4X6.4
...4	C702	2202-000121	C-CERAMIC,MLC-AXIAL;100pF,10%,50V,Y5P,TP		...4	RW07	2001-001088	R-CARBON(S);1KOHM,5%,1/2W,AA,TP,2.4X6.4M
...4	C707	2202-000231	C-CERAMIC,MLC-AXIAL;330pF,10%,50V,Y5P,TP		...4	RW08	2001-001088	R-CARBON(S);1KOHM,5%,1/2W,AA,TP,2.4X6.4M
...4	C708	2202-000231	C-CERAMIC,MLC-AXIAL;330pF,10%,50V,Y5P,TP		...4	RW09	2001-000085	R-CARBON(S);100KOHM,5%,1/2W,AA,TP,2.4X6.4
...4	DZ701	0403-000563	DIODE-ZENER;MTZJ9.1B,9.1V,8.57-9.01V,500m		...4	RW10	2001-001146	R-CARBON(S);4.7OHM,5%,1/2W,AA,TP,2.4X6.4
...4	DZ702	0403-000708	DIODE-ZENER;MTZJ13B,13V,12.55-13.21V,500		...4	RW11	2001-001146	R-CARBON(S);4.7OHM,5%,1/2W,AA,TP,2.4X6.4
...4	DZ703	0403-000708	DIODE-ZENER;MTZJ13B,13V,12.55-13.21V,500		...3		3301-001201	CORE-FERRITE;AE,21x11x32mm,1500,280G
...4	L701	2701-000114	INDUCTOR-AXIAL;10uH,10%,2.5x3.4mm		...3		0202-000187	SOLDER-WIRE FLUX;-RS60S,D1.2,63Sn/37Pb
...4	L702	2701-000114	INDUCTOR-AXIAL;10uH,10%,2.5x3.4mm		.2		AA94-11752A	ASSY PCB CRT;TXM3297HFX/XAA,K55A
...4	L705	2701-000168	INDUCTOR-AXIAL;3.3uH,5%,2.5x3.4mm		...3	C522	2201-002117	C-CERAMIC,DISC;4.7nF,20%,3kV,Y5U,TP,16x6
...4	L706	2701-000168	INDUCTOR-AXIAL;3.3uH,5%,2.5x3.4mm		...3	C523	2301-001192	C-FILM,MPPF;820nF,5%,400V,TP,29x18.5x25
...4	L707	3301-000287	CORE-FERRITE BEAD;AA,3.5x1.0x6.0mm,1500,		...3	CNC01	3711-003974	CONNECTOR-HEADER;BOX,12P,1R,2.5mm,STRAIG
...4	L708	3301-000287	CORE-FERRITE BEAD;AA,3.5x1.0x6.0mm,1500,		...3	CNC01A	AA39-00088A	LEAD CONNECTOR-ASSY;HERCULES,UL1007/1185
...4	PCB	AA41-00620B	PCB-A/V SIDE(Z7);CT-29Z7HR,FR-1,1L,B,1.6	S.N.A	...3	CNC02A	AA39-20030B	LEAD CONNECTOR-ASSY;8P,67096-008,S,400,
...4	R701	2001-000028	R-CARBON(S);100OHM,5%,1/2W,AA,TP,2.4X6.4		△	GT503S	AA39-20010B	LEAD CONNECTOR-ASSY;1PYFH800-01,S,500,
...4	R702	2001-000028	R-CARBON(S);100OHM,5%,1/2W,AA,TP,2.4X6.4		...3	IC501	AA96-50311L	ASSY H/S;-AMP,AA62-30175D ,TDA6111Q,HE
...3		3301-001201	CORE-FERRITE;AE,21x11x32mm,1500,280G		...3	IC502	AA96-50311L	ASSY H/S;-AMP,AA62-30175D ,TDA6111Q,HE
...3		0202-000187	SOLDER-WIRE FLUX;-RS60S,D1.2,63Sn/37Pb	S.N.A	...3	IC503	AA96-50311L	ASSY H/S;-AMP,AA62-30175D ,TDA6111Q,HE
.2		AA94-08584R	ASSY PCB MISC-CONTROL;TXM3298HFX/XAA,K55		...4		1201-001131	IC-VIDEO AMP;6111,SIF,9P,-SINGLE,-PLAS
...3	AV+CV	6003-001268	SCREW-TAPTITE;TH,+,B,M4.0,L12.0,ZPC(YEL)	S.N.A	...4		6003-000334	SCREW-TAPTITE;RH,+,2S,M3,L6,ZPC(YEL),SWR
...3	CN01	AA39-00100E	LEAD CONNECTOR-ASSY;4PYBNH250-04,35155		...4		AA62-30175D	HEAT-SINK,PS;-SECC,T1.0,-,33X15X30 FT-2
...3	SW01	3404-000176	SWITCH-TACT;12V,50mA,120gf,6x6mm,SPST		...3	IC504	BH99-00038E	ASSY HEAT/SINK;TDA2030,AMP,HERCULES,BH62
...3	SW02	3404-000176	SWITCH-TACT;12V,50mA,120gf,6x6mm,SPST		...4	CIS	0205-001027	OIL-SILICON;G746,-,-
...3	SW03	3404-000176	SWITCH-TACT;12V,50mA,120gf,6x6mm,SPST		...4	CIS	1201-000010	IC-OP AMP;2030,PENTAWATT,5P,-SINGLE,-C
...3	SW04	3404-000176	SWITCH-TACT;12V,50mA,120gf,6x6mm,SPST		...4	CIS	BH61-00004A	SPRING-TR;CDA,CDB,SUS304,-,-,-,TO.5
...3	SW05	3404-000176	SWITCH-TACT;12V,50mA,120gf,6x6mm,SPST		...4	CIS	BH62-00041A	HEAT SINK-TR;PN17LT,A1050S,T1.0,50,23,-
...3	SW06	3404-000176	SWITCH-TACT;12V,50mA,120gf,6x6mm,SPST		...3	QF09	AA96-00243M	ASSY H/S;-AMP,AA62-000450A,2SA1011,HERC
...3		AA96-00920B	ASSY COVER P-COVER CONTROL;34Z7, TXM3298H		...4		0205-000129	GREASE-SILICON;SC102,JAPAN
...4	KC+CC	6003-001019	SCREW-TAPTITE;RH,+,B,M4,L12,ZPC(BLK),SWR	S.N.A	...4		0502-000131	TR-POWER;2SA1011-D,PNP,1.2W,TO-220,-,60
...4		AA63-00559B	COVER-CONTROL;34Z7,HIPS,VO,G4309,DGN-118		...4		6003-000335	SCREW-TAPTITE;RH,+,2S,M3,L8,ZPC(YEL),SWR
...4		AA64-02662A	KNOB-CONTROL;Z7,ABS,HB,G3676,S104M+W971		...4		AA62-00045A	HEAT SINK-PS;-,-,T1.0,-,DREAM,-,-,-,-
...3		AA97-07229G	ASSY AUTO-CONTROL;CT-29Z7HR,K55A	S.N.A	...3	SC01	3722-001503	JACK-PIN;1P,1PI,NI,RED,SCR-JACK
...4	LC01	2701-000114	INDUCTOR-AXIAL;10uH,10%,2.5x3.4mm		△	V999S	3704-001032	SOCKET-CRT;8P,29PI,35.5PI,AU30U
...4	PCB	AA41-00618A	PCB-CONTROL(Z4);CT-20MH8,FR-1,1L,A,1.6T,	S.N.A	...3		AA97-12699B	ASSY AUTO-CRT;TXM3297HFX/XAA,K55A
...4	RC01	2001-000281	R-CARBON;100OHM,5%,1/8W,AA,TP,1.8X3.2MM		...4	C501	2201-000247	C-CERAMIC,DISC;0.015nF,5%,50V,NP0,TP,5x3
...4	RC02	2001-000577	R-CARBON;2KOHM,5%,1/8W,AA,TP,1.8X3.2MM		...4	C502	2201-002031	C-CERAMIC,DISC;0.005nF,0.5pF,50V,NP0,TP
...4	RC03	2001-000878	R-CARBON;6.2KOHM,5%,1/8W,AA,TP,1.8X3.2MM		...4	C503	2201-000662	C-CERAMIC,DISC;0.007nF,0.25pF,50V,NP0,TP
...4	RC04	2001-000009	R-CARBON;20KOHM,5%,1/8W,AA,TP,1.8X3.2MM		...4	C504	2301-000016	C-FILM,PEF;22nF,5%,100V,TP,7.2x4.5x9.0mm
...4	RC06	2001-000007	R-CARBON;3KOHM,5%,1/8W,AA,TP,1.8X3.2MM		...4	C505	2301-000016	C-FILM,PEF;22nF,5%,100V,TP,7.2x4.5x9.0mm
...3		0202-000187	SOLDER-WIRE FLUX;-RS60S,D1.2,63Sn/37Pb	S.N.A	...4	C506	2301-000016	C-FILM,PEF;22nF,5%,100V,TP,7.2x4.5x9.0mm
.2		AA94-11567A	ASSY PCB MISC-WOOFER;TXM2798HFX/XAA,K55A		...4	C507	2301-000016	C-FILM,PEF;22nF,5%,100V,TP,7.2x4.5x9.0mm
...3	CNW01	AA39-20055B	LEAD CONNECTOR-ASSY;6PYBNH025-06,67096		...4	C508	2301-001211	C-FILM,PPF;22nF,5%,400V,TP,20x7x14,7.5mm
...3	ICW01	AA96-50367D	ASSY H/S;-POWER,AA62-30181D,TDA7269,ZES	S.N.A	...4	C509	2301-000016	C-FILM,PEF;22nF,5%,100V,TP,7.2x4.5x9.0mm
...4		0205-000129	GREASE-SILICON;SC102,JAPAN	S.N.A	...4	C510	2201-000291	C-CERAMIC,DISC;1nF,10%,500V,Y5P,TP,7.5x3
...4		1201-001385	IC-POWER AMP;7269A,ZIP,11,19.6,DUAL,13P		...4	C511	2301-001211	C-FILM,PPF;22nF,5%,400V,TP,20x7x14,7.5mm
...4		6003-000333	SCREW-TAPTITE;RH,+,2S,M3,L10,ZPC(YEL),SW	S.N.A	...4	C512	2301-001211	C-FILM,PPF;22nF,5%,400V,TP,20x7x14,7.5mm
...4		AA62-30181D	HEAT-SINK,ES;-AL6063 EXTR.,2,WHT,70MM,-	S.N.A	...4	C513	2201-000600	C-CERAMIC,DISC;0.56nF,10%,50V,Y5P,TP,5x3

Electrical Parts List

Loc. No.	Code No.	Description ; Specification	Remark	Loc. No.	Code No.	Description ; Specification	Remark
.....5	C602	2401-001026	C-AL;3.3UF,20%,50V,GP,TP,5X11,55	C827	2401-002619	C-AL;47uf,20%,25V,GP,TP,5x11,5
.....5	C603	2401-002235	C-AL;10uf,20%,16V,GP,TP,5x11mm,5mm5	C828	2201-000374	C-CERAMIC,DISC;0.22nF,5%,50V,NP0,TP,10.5
.....5	C604	2401-000603	C-AL;1uf,20%,50V,GP,TP,5x11,55	C830	2201-000984	C-CERAMIC,DISC;0.68nF,10%,2kV,Y5P,TP,9x5
.....5	C605	2305-000665	C-FILM,MPEF;100nF,5%,63V,TP,7.5x4.0x5.0m5	C831	2305-000665	C-FILM,MPEF;100nF,5%,63V,TP,7.5x4.0x5.0m
.....5	C606	2202-000796	C-CERAMIC,MLC-AXIAL;1NF,10%,50V,Y5P,TP,35	C832	2401-000493	C-AL;10uf,20%,50V,LZ,TP,5x11mm,5mm
.....5	C607	2202-000796	C-CERAMIC,MLC-AXIAL;1NF,10%,50V,Y5P,TP,35	C833	2401-002619	C-AL;47uf,20%,25V,GP,TP,5x11,5
.....5	C608	2202-000796	C-CERAMIC,MLC-AXIAL;1NF,10%,50V,Y5P,TP,35	C834	2401-003034	C-AL;10uf,20%,16V,WT,TP,8x11,5,5
.....5	C610	2301-000192	C-FILM,PEF;1nF,5%,50V,TP,5.3x10mm,5mm5	C835	2401-000722	C-AL;220uf,20%,25V,WT,TP,16x25,7.5
.....5	C611	2301-000192	C-FILM,PEF;1nF,5%,50V,TP,5.3x10mm,5mm5	C836	2305-000665	C-FILM,MPEF;100nF,5%,63V,TP,7.5x4.0x5.0m
.....5	C612	2401-000603	C-AL;1uf,20%,50V,GP,TP,5x11,55	C837	2305-000665	C-FILM,MPEF;100nF,5%,63V,TP,7.5x4.0x5.0m
.....5	C613	2401-000611	C-AL;1uf,20%,50V,WT,TP,5x11,55	C838	2401-001513	C-AL;47uf,20%,16V,WT,TP,5x11,5
.....5	C614	2301-000192	C-FILM,PEF;1nF,5%,50V,TP,5.3x10mm,5mm5	C840	2401-001513	C-AL;47uf,20%,16V,WT,TP,5x11,5
.....5	C615	2202-000796	C-CERAMIC,MLC-AXIAL;1NF,10%,50V,Y5P,TP,35	C841	2401-000611	C-AL;1uf,20%,50V,WT,TP,5x11,5
.....5	C619	2401-000027	C-AL;4.7uf,20%,50V,GP,TP,5x11,55	C843	2305-000665	C-FILM,MPEF;100nF,5%,63V,TP,7.5x4.0x5.0m
.....5	C620	2401-000027	C-AL;4.7uf,20%,50V,GP,TP,5x11,55	C844	2305-000665	C-FILM,MPEF;100nF,5%,63V,TP,7.5x4.0x5.0m
.....5	C621	2401-000027	C-AL;4.7uf,20%,50V,GP,TP,5x11,55	C901	2202-002037	C-CERAMIC,MLC-AXIAL;100nF,80-20%,50V,Y5V
.....5	C622	2401-000027	C-AL;4.7uf,20%,50V,GP,TP,5x11,55	C902	2301-000192	C-FILM,PEF;1nF,5%,50V,TP,5.3x10mm,5mm
.....5	C623	2202-000231	C-CERAMIC,MLC-AXIAL;330pF,10%,50V,Y5P,TP5	C903	2202-000719	C-CERAMIC,MLC-AXIAL;6.8nF,20%,16V,Y5R,TP
.....5	C624	2202-000231	C-CERAMIC,MLC-AXIAL;330pF,10%,50V,Y5P,TP5	C904	2401-000471	C-AL;10uf,20%,50V,BP,TP,5x11,5mm
.....5	C625	2401-000027	C-AL;4.7uf,20%,50V,GP,TP,5x11,55	C905	2202-000796	C-CERAMIC,MLC-AXIAL;1NF,10%,50V,Y5P,TP,3
.....5	C626	2401-000027	C-AL;4.7uf,20%,50V,GP,TP,5x11,55	C906	2202-000231	C-CERAMIC,MLC-AXIAL;330pF,10%,50V,Y5P,TP
.....5	C627	2202-000231	C-CERAMIC,MLC-AXIAL;330pF,10%,50V,Y5P,TP5	C907	2305-000411	C-FILM,MPEF;470nF,5%,50V,TP,7.3x4.8x5.5m
.....5	C628	2401-000027	C-AL;4.7uf,20%,50V,GP,TP,5x11,55	C909	2301-000383	C-FILM,PEF;10nF,5%,50V,TP,6x7x3.2mm,5mm
.....5	C629	2202-000231	C-CERAMIC,MLC-AXIAL;330pF,10%,50V,Y5P,TP5	C910	2201-000980	C-CERAMIC,DISC;0.03nF,5%,50V,NP0,TP,5x3
.....5	C630	2401-002235	C-AL;10uf,20%,16V,GP,TP,5x11mm,5mm5	C911	2201-000980	C-CERAMIC,DISC;0.03nF,5%,50V,NP0,TP,5x3
.....5	C631	2401-002235	C-AL;10uf,20%,16V,GP,TP,5x11mm,5mm5	C912	2401-000027	C-AL;4.7uf,20%,50V,GP,TP,5x11,5
.....5	C632	2201-000370	C-CERAMIC,DISC;0.22nF,10%,50V,Y5P,TP,4x35	C913	2401-001840	C-AL;100uf,20%,16V,GP,TP,6.3x11,5
.....5	C633	2202-000231	C-CERAMIC,MLC-AXIAL;330pF,10%,50V,Y5P,TP5	C914	2305-000665	C-FILM,MPEF;100nF,5%,63V,TP,7.5x4.0x5.0m
.....5	C634	2401-000302	C-AL;100uf,20%,25V,GP,TP,6.3x11,55	C915	2401-001840	C-AL;100uf,20%,16V,GP,TP,6.3x11,5
.....5	C635	2305-000665	C-FILM,MPEF;100nF,5%,63V,TP,7.5x4.0x5.0m5	C916	2305-000665	C-FILM,MPEF;100nF,5%,63V,TP,7.5x4.0x5.0m
.....5	C636	2202-000231	C-CERAMIC,MLC-AXIAL;330pF,10%,50V,Y5P,TP5	C917	2401-001840	C-AL;100uf,20%,16V,GP,TP,6.3x11,5
.....5	C637	2202-000231	C-CERAMIC,MLC-AXIAL;330pF,10%,50V,Y5P,TP5	C918	2401-000493	C-AL;10uf,20%,50V,LZ,TP,5x11mm,5mm
.....5	C638	2202-000231	C-CERAMIC,MLC-AXIAL;330pF,10%,50V,Y5P,TP5	C919	2202-002037	C-CERAMIC,MLC-AXIAL;100nF,80-20%,50V,Y5V
.....5	C639	2202-000231	C-CERAMIC,MLC-AXIAL;330pF,10%,50V,Y5P,TP5	C920	2401-002235	C-AL;10uf,20%,16V,GP,TP,5x11mm,5mm
.....5	C640	2401-000027	C-AL;4.7uf,20%,50V,GP,TP,5x11,55	C921	2202-002037	C-CERAMIC,MLC-AXIAL;100nF,80-20%,50V,Y5V
.....5	C641	2401-000027	C-AL;4.7uf,20%,50V,GP,TP,5x11,55	C922	2305-000665	C-FILM,MPEF;100nF,5%,63V,TP,7.5x4.0x5.0m
.....5	C642	2202-000231	C-CERAMIC,MLC-AXIAL;330pF,10%,50V,Y5P,TP5	C923	2305-000665	C-FILM,MPEF;100nF,5%,63V,TP,7.5x4.0x5.0m
.....5	C643	2401-000027	C-AL;4.7uf,20%,50V,GP,TP,5x11,55	C924	2202-000632	C-CERAMIC,MLC-AXIAL;100nF,20%,50V,Z5U,TP
.....5	C644	2401-000192	C-AL;100uf,20%,50V,GP,TP,16x25,7.55	C925	2305-000665	C-FILM,MPEF;100nF,5%,63V,TP,7.5x4.0x5.0m
.....5	C645	2401-002235	C-AL;10uf,20%,16V,GP,TP,5x11mm,5mm5	C927	2202-000127	C-CERAMIC,MLC-AXIAL;10nF,+80-20%,25V,Y5V
.....5	C646	2305-000665	C-FILM,MPEF;100nF,5%,63V,TP,7.5x4.0x5.0m5	C928	2202-002037	C-CERAMIC,MLC-AXIAL;100nF,80-20%,50V,Y5V
.....5	C647	2202-000286	C-CERAMIC,MLC-AXIAL;56pF,5%,50V,SL,TP,1.5	CN502	3711-002647	CONNECTOR-HEADER;BOX,8P,1R,2.5mm,STRAIGH
.....5	C648	2401-000192	C-AL;1000uf,20%,50V,GP,TP,16x25,7.55	CN601	3711-002644	CONNECTOR-HEADER;BOX,5P,1R,2.5mm,STRAIGH
.....5	C649	2301-000108	C-FILM,PEF;1.5nF,5%,50V,TP,6.5x3.0x5.5mm5	CN602	3711-002645	CONNECTOR-HEADER;BOX,6P,1R,2.5mm,STRAIGH
.....5	C650	2401-001192	C-AL;33uf,20%,50V,GP,TP,6.3x11,55	CN901	3711-002645	CONNECTOR-HEADER;BOX,6P,1R,2.5mm,STRAIGH
.....5	C651	2305-000665	C-FILM,MPEF;100nF,5%,63V,TP,7.5x4.0x5.0m5	CN904	3711-002647	CONNECTOR-HEADER;BOX,8P,1R,2.5mm,STRAIGH
.....5	C652	2401-002235	C-AL;10uf,20%,16V,GP,TP,5x11mm,5mm	△.....5	CR01S	2201-000556	C-CERAMIC,DISC;0.47nF,10%,500V,Y5P,TP,5.
.....5	C653	2401-002216	C-AL;220uf,20%,35V,GP,TP,16x25,7.5	△.....5	CR02S	2401-000480	C-AL;10uf,20%,50V,GP,TP,5x11,5
.....5	C654	2201-000611	C-CERAMIC,DISC;0.056nF,5%,50V,NP0,TP,7x3	△.....5	CR03S	2401-002235	C-AL;10uf,20%,16V,GP,TP,5x11mm,5mm
.....5	C655	2401-001026	C-AL;3.3UF,20%,50V,GP,TP,5X11,5	△.....5	CR04S	2305-000412	C-FILM,MPEF;470nF,5%,63V,TP,-5mm
.....5	C656	2201-000304	C-CERAMIC,DISC;0.001nF,0.25pF,50V,NP0,TP5	CW901	2503-000156	C-NETWORK;100pF,20%,50V
.....5	C657	2201-000304	C-CERAMIC,DISC;0.001nF,0.25pF,50V,NP0,TP5	D201	0401-000005	DIODE-SWITCHING;1N4148,100V,200mA,DO-35,
.....5	C658	2305-000665	C-FILM,MPEF;100nF,5%,63V,TP,7.5x4.0x5.0m5	D202	0401-000005	DIODE-SWITCHING;1N4148,100V,200mA,DO-35,
.....5	C659	2305-000665	C-FILM,MPEF;100nF,5%,63V,TP,7.5x4.0x5.0m5	D207	0401-000005	DIODE-SWITCHING;1N4148,100V,200mA,DO-35,
.....5	C660	2401-000962	C-AL;22uf,20%,50V,GP,TP,5x11,55	D301	0402-000546	DIODE-RECTIFIER;TVR10G,400V,1.0A,DO-41,T
.....5	C701	2202-000243	C-CERAMIC,MLC-AXIAL;33pF,5%,50V,SL,TP,3.5	D401	0402-000540	DIODE-RECTIFIER;RU20A,600V,1.5A,-TP
.....5	C801	2401-000287	C-AL;100uf,20%,16V,WT,TP,6.3x11,55	D402	0402-000534	DIODE-RECTIFIER;RG10V,400V,1.2A,DO-201,T
.....5	C802	2301-000204	C-FILM,PEF;2.7nF,5%,50V,TP,7.4x3.9x13mm,5	D403	0402-000132	DIODE-RECTIFIER;1N4004,400V,1A,DO-41,TP
.....5	C804	2201-000332	C-CERAMIC,DISC;2.2nF,20%,250V,Y5U,TP,9x45	D404	0402-000534	DIODE-RECTIFIER;RG10V,400V,1.2A,DO-201,T
.....5	C805	2201-000332	C-CERAMIC,DISC;2.2nF,20%,250V,Y5U,TP,9x45	D405	0401-000005	DIODE-SWITCHING;1N4148,100V,200mA,DO-35,
.....5	C807	2303-000163	C-FILM,PPF;2.2nF,5%,800V,TP,15x13x8.5,7.5	D406	0404-001056	DIODE-SCHOTTKY;RK16,60V,1.5A,DO-204AC,TP
.....5	C808	2401-003046	C-AL;47uf,20%,50V,WT,TP,6.3x11,2,55	D408	0402-000534	DIODE-RECTIFIER;RG10V,400V,1.2A,DO-201,T
.....5	C809	2301-000224	C-FILM,PEF;22nF,5%,50V,TP,7.4x3.9x13mm,55	D409	0402-000493	DIODE-RECTIFIER;1R5GU,400V,1.5A,DO-15L
.....5	C810	2401-002463	C-AL;470uf,20%,16V,GP,TP,8x11,5,55	D410	0401-000005	DIODE-SWITCHING;1N4148,100V,200mA,DO-35,
.....5	C811	2401-002463	C-AL;470uf,20%,16V,GP,TP,8x11,5,55	D411	0402-000534	DIODE-RECTIFIER;RG10V,400V,1.2A,DO-201,T
.....5	C812	2305-000665	C-FILM,MPEF;100nF,5%,63V,TP,7.5x4.0x5.0m5	D601	2001-001093	R-CARBON(S);2.2KOHM,5%,1/2W,AA,TP,2.4X6.
.....5	C814	2201-002028	C-CERAMIC,DISC;0.47nF,10%,2kV,Y5P,TP,7.55	D602	2001-001093	R-CARBON(S);2.2KOHM,5%,1/2W,AA,TP,2.4X6.
.....5	C816	2401-000262	C-AL;100uf,20%,160V,HR,TP,16x25,7.55	D603	0401-000005	DIODE-SWITCHING;1N4148,100V,200mA,DO-35,
.....5	C817	2201-000599	C-CERAMIC,DISC;0.56nF,10%,500V,Y5P,TP,5.5	D604	0401-000005	DIODE-SWITCHING;1N4148,100V,200mA,DO-35,
.....5	C818	2401-000722	C-AL;220uf,20%,25V,WT,TP,16x25,7.55	D605	2001-001093	R-CARBON(S);2.2KOHM,5%,1/2W,AA,TP,2.4X6.
.....5	C819	2201-000599	C-CERAMIC,DISC;0.56nF,10%,500V,Y5P,TP,5.5	D606	2001-001093	R-CARBON(S);2.2KOHM,5%,1/2W,AA,TP,2.4X6.
.....5	C821	2301-000224	C-FILM,PEF;22nF,5%,50V,TP,7.4x3.9x13mm,55	D607	0402-000132	DIODE-RECTIFIER;1N4004,400V,1A,DO-41,TP
.....5	C822	2201-000599	C-CERAMIC,DISC;0.56nF,10%,500V,Y5P,TP,5.	△.....5	D803	0402-000546	DIODE-RECTIFIER;TVR10G,400V,1.0A,DO-41,T
.....5	C823	2401-002144	C-AL;47uf,20%,16V,GP,TP,5x11,5	△.....5	D804	0402-000546	DIODE-RECTIFIER;TVR10G,400V,1.0A,DO-41,T
.....5	C824	2401-001513	C-AL;47uf,20%,16V,WT,TP,5x11,5	△.....5	D805	0401-000005	DIODE-SWITCHING;1N4148,100V,200mA,DO-35,
.....5	C825	2305-000665	C-FILM,MPEF;100nF,5%,63V,TP,7.5x4.0x5.0m	△.....5	D808	0402-000132	DIODE-RECTIFIER;1N4004,400V,1A,DO-41,TP
.....5	C826	2401-003034	C-AL;220uf,20%,16V,WT,TP,8x11,5,5	△.....5	D812	0401-000005	DIODE-SWITCHING;1N4148,100V,200mA,DO-35,

Electrical Parts List

Loc. No.	Code No.	Description ; Specification	Remark	Loc. No.	Code No.	Description ; Specification	Remark
△	5 FA802S	3601-001086 FUSE-AXIAL LEAD;125V,5A,FAST-ACTING,GLAS		5 Q601	0501-000389	TR-SMALL SIGNAL;KSC815,NPN,400mW,TO-92,T	
△	5 FA803S	3601-001228 FUSE-AXIAL LEAD;125V,10A,FAST-ACTING,EPO		5 Q603	0501-000389	TR-SMALL SIGNAL;KSC815,NPN,400mW,TO-92,T	
5	GT101	AA60-40014A PIN-GT,ASSY;1P,-,AUTO	S.N.A	5 Q801	0501-000389	TR-SMALL SIGNAL;KSC815,NPN,400mW,TO-92,T	
5	GT102	AA60-40014A PIN-GT,ASSY;1P,-,AUTO	S.N.A	5 Q802	0501-000369	TR-SMALL SIGNAL;KSC2331-Y,NPN,1000mW,TO-	
5	GT301	AA60-40014A PIN-GT,ASSY;1P,-,AUTO	S.N.A	5 Q803	0501-000389	TR-SMALL SIGNAL;KSC815,NPN,400mW,TO-92,T	
5	GT302	AA60-40014A PIN-GT,ASSY;1P,-,AUTO	S.N.A	5 Q901	0501-000389	TR-SMALL SIGNAL;KSC815,NPN,400mW,TO-92,T	
5	GT401	AA60-40014A PIN-GT,ASSY;1P,-,AUTO	S.N.A	5 Q906	0501-000389	TR-SMALL SIGNAL;KSC815,NPN,400mW,TO-92,T	
5	GT402	AA60-40014A PIN-GT,ASSY;1P,-,AUTO	S.N.A	5 Q907	0501-000389	TR-SMALL SIGNAL;KSC815,NPN,400mW,TO-92,T	
5	GT404	AA60-40014A PIN-GT,ASSY;1P,-,AUTO	S.N.A	5 Q908	0501-000389	TR-SMALL SIGNAL;KSC815,NPN,400mW,TO-92,T	
5	GT405	AA60-40014A PIN-GT,ASSY;1P,-,AUTO	S.N.A	5 Q909	0505-000109	FET-SILICON;2N7000,N,60V,200mA,5ohm,400m	
5	GT406	AA60-40014A PIN-GT,ASSY;1P,-,AUTO	S.N.A	5 Q910	0505-000109	FET-SILICON;2N7000,N,60V,200mA,5ohm,400m	
5	GT409	AA60-40014A PIN-GT,ASSY;1P,-,AUTO	S.N.A	5 Q911	0501-000389	TR-SMALL SIGNAL;KSC815,NPN,400mW,TO-92,T	
5	GT410	AA60-40014A PIN-GT,ASSY;1P,-,AUTO	S.N.A	5 Q912	0501-000389	TR-SMALL SIGNAL;KSC815,NPN,400mW,TO-92,T	
5	GT411	AA60-40014A PIN-GT,ASSY;1P,-,AUTO	S.N.A	5 Q913	0501-000389	TR-SMALL SIGNAL;KSC815,NPN,400mW,TO-92,T	
5	GT412	AA60-40014A PIN-GT,ASSY;1P,-,AUTO	S.N.A	5 Q914	0501-000389	TR-SMALL SIGNAL;KSC815,NPN,400mW,TO-92,T	
5	GT801	AA60-40014A PIN-GT,ASSY;1P,-,AUTO	S.N.A	△	5 QR01S	TR-SMALL SIGNAL;KSA539,PNP,400mW,TO-92,T	
5	GT802	AA60-40014A PIN-GT,ASSY;1P,-,AUTO	S.N.A	△	5 QR02S	TR-SMALL SIGNAL;KSC815,NPN,400mW,TO-92,T	
5	GT803	AA60-40014A PIN-GT,ASSY;1P,-,AUTO	S.N.A	5 R101	2001-000869	R-CARBON;560HM,5%,1/8W,AA,TP,1.8X3.2MM	
5	GT804	AA60-40014A PIN-GT,ASSY;1P,-,AUTO	S.N.A	5 R102	2001-000281	R-CARBON;1000HM,5%,1/8W,AA,TP,1.8X3.2MM	
5	GT805	AA60-40014A PIN-GT,ASSY;1P,-,AUTO	S.N.A	5 R103	2001-000281	R-CARBON;1000HM,5%,1/2W,AA,TP,1.8X3.2MM	
5	GT806	AA60-40014A PIN-GT,ASSY;1P,-,AUTO	S.N.A	5 R104	2001-000281	R-CARBON;1000HM,5%,1/8W,AA,TP,1.8X3.2MM	
5	IC202	1203-001944 IC-POSI.FIXED REG.;78RM33,TO-220,3P,-,PL		5 R105	2001-000702	R-CARBON;39KOHM,5%,1/8W,AA,TP,1.8X3.2MM	
△	5 IC402	1203-000243 IC-POSI.FIXED REG.;7812A,TO-220,3P,-,PLA		5 R106	2001-000864	R-CARBON;560HM,5%,1/8W,AA,TP,1.8X3.2MM	
△	5 IC804	1203-001217 IC-POSI.ADJUST REG.;431,TO-92,3P,4.58MIL		5 R107	2001-000281	R-CARBON;1000HM,5%,1/8W,AA,TP,1.8X3.2MM	
5	IC903	1203-001944 IC-POSI.FIXED REG.;78RM33,TO-220,3P,-,PL		5 R108	2001-000869	R-CARBON;560HM,5%,1/8W,AA,TP,1.8X3.2MM	
5	IC904	1203-001943 IC-VOL. DETECTOR;7025,TO-92,3P,-,PLASTIC		5 R203	2001-000281	R-CARBON;1000HM,5%,1/8W,AA,TP,1.8X3.2MM	
5	L101	2701-000115 INDUCTOR-AXIAL;10uH,10%,3x7mm		5 R204	2001-000281	R-CARBON;1000HM,5%,1/8W,AA,TP,1.8X3.2MM	
5	L102	2701-000159 INDUCTOR-AXIAL;22uH,10%,4.2x9.8mm		5 R301	2001-001163	R-CARBON(S);560OHM,5%,1/2W,AA,TP,2.4X6.4	
5	L103	2701-000115 INDUCTOR-AXIAL;10uH,10%,3x7mm		5 R302	2004-001369	R-METAL(S);1.2Kohm,1%,1/2W,AA,TP,2.4x6.4	
5	L104	2701-000159 INDUCTOR-AXIAL;22uH,10%,4.2x9.8mm		5 R303	2001-000016	R-CARBON(S);10HM,5%,1/2W,AA,TP,2.4X6.4MM	
5	L106	2701-000115 INDUCTOR-AXIAL;10uH,10%,3x7mm		5 R304	2008-001108	R-FUSIBLE(S);1.2ohm,5%,2W,AG,TP,3.9x12mm	
5	L201	2701-000200 INDUCTOR-AXIAL;5.6uH,10%,4.2x9.8mm		5 R305	2003-002205	R-METAL OXIDE(S);330ohm,5%,2W,AG,TP,3.9X	
5	L203	2901-000297 FILTER-EMI ON BOARD;-,3A,-,-,3.5x5,TP-		5 R306	2003-002205	R-METAL OXIDE(S);330ohm,5%,2W,AG,TP,3.9X	
5	L301	2701-000114 INDUCTOR-AXIAL;10uH,10%,2.5x3.4mm		5 R307	2008-001114	R-FUSIBLE(S);1.5ohm,5%,2W,AG,TP,3.9x12mm	
5	L402	2901-000299 FILTER-EMI ON BOARD;-,6A,UL/CSA,-,9x7.5,		5 R308	2004-001369	R-METAL(S);1.2Kohm,1%,1/2W,AA,TP,2.4x6.4	
△	5 L403	2701-001040 INDUCTOR-AXIAL;10uH,10%,4.5x14mm		5 R309	2001-000290	R-CARBON;10KOHM,5%,1/8W,AA,TP,1.8X3.2MM	
5	L404	3301-000287 CORE-FERRITE BEAD;AA,3.5x1.0x6.0mm,1500,		5 R310	2001-000290	R-CARBON;10KOHM,5%,1/8W,AA,TP,1.8X3.2MM	
5	L407	2901-000297 FILTER-EMI ON BOARD;-,3A,-,-,3.5x5,TP-		5 R314	2001-001093	R-CARBON(S);2.2KOHM,5%,1/2W,AA,TP,2.4X6.	
5	L410	2901-000299 FILTER-EMI ON BOARD;-,6A,UL/CSA,-,9x7.5,		5 R315	2001-001093	R-CARBON(S);2.2KOHM,5%,1/2W,AA,TP,2.4X6.	
5	L601	2702-001094 INDUCTOR-RADIAL;10uH,10%,6x4mm		5 R316	2001-001129	R-CARBON(S);330KOHM,5%,1/2W,AA,TP,2.4X6.	
5	L602	2701-000169 INDUCTOR-AXIAL;3.9uH,10%,2.5x3.4mm		5 R317	2001-000066	R-CARBON(S);10KOHM,5%,1/2W,AA,TP,2.4X6.4	
5	L603	2701-000177 INDUCTOR-AXIAL;33uH,10%,2.5x3.4mm		5 R401	2003-001025	R-METAL OXIDE(S);15Kohm,5%,2W,AF,TP,3.9x	
5	L604	2701-000177 INDUCTOR-AXIAL;33uH,10%,2.5x3.4mm		5 R402	2003-001025	R-METAL OXIDE(S);15Kohm,5%,2W,AF,TP,3.9x	
5	L605	2701-000177 INDUCTOR-AXIAL;33uH,10%,2.5x3.4mm		5 R403	2003-000532	R-METAL OXIDE(S);18ohm,5%,2W,AF,TP,4x12m	
5	L606	2701-000177 INDUCTOR-AXIAL;33uH,10%,2.5x3.4mm		5 R405	2008-001018	R-FUSIBLE(S);0.47ohm,10%,2W,AF,TP,3.9x10	
5	L607	2701-000177 INDUCTOR-AXIAL;33uH,10%,2.5x3.4mm		5 R409	2003-000998	R-METAL OXIDE;300ohm,5%,2W,AF,TP,3.9x10m	
5	L608	2701-000177 INDUCTOR-AXIAL;33uH,10%,2.5x3.4mm		5 R410	2003-000998	R-METAL OXIDE;300ohm,5%,2W,AF,TP,3.9x10m	
5	L609	2702-001094 INDUCTOR-RADIAL;10uH,10%,6x4mm		5 R412	2003-000592	R-METAL OXIDE(S);22ohm,5%,2W,AF,TP,4x12m	
5	L610	3301-000287 CORE-FERRITE BEAD;AA,3.5x1.0x6.0mm,1500,		5 R413	2008-001018	R-FUSIBLE(S);0.47ohm,10%,2W,AF,TP,3.9x10	
5	L612	2901-000297 FILTER-EMI ON BOARD;-,3A,-,-,3.5x5,TP-		5 R414	2008-000253	R-FUSIBLE(S);0.47ohm,5%,1W,AF,TP,3.9x10m	
5	L613	2901-000297 FILTER-EMI ON BOARD;-,3A,-,-,3.5x5,TP-		5 R415	2004-005051	R-METAL(S);2.2KOHM,1%,1/2W,AA,TP,2.4X6.4	
5	L614	3301-000287 CORE-FERRITE BEAD;AA,3.5x1.0x6.0mm,1500,		5 R416	2003-001025	R-METAL OXIDE(S);15Kohm,5%,2W,AF,TP,3.9x	
5	L615	3301-000287 CORE-FERRITE BEAD;AA,3.5x1.0x6.0mm,1500,		5 R418	2001-000037	R-CARBON(S);330KOHM,5%,1/2W,AA,TP,2.4X6.4	
5	L701	2701-000114 INDUCTOR-AXIAL;10uH,10%,2.5x3.4mm		5 R419	2001-001088	R-CARBON(S);1KOHM,5%,1/2W,AA,TP,2.4X6.4M	
5	L702	2701-000114 INDUCTOR-AXIAL;10uH,10%,2.5x3.4mm		5 R420	2004-001406	R-METAL(S);8.2Kohm,1%,1/2W,AA,TP,2.4x6.4	
5	L703	2701-000177 INDUCTOR-AXIAL;33uH,10%,2.5x3.4mm		5 R421	2001-001088	R-CARBON(S);1KOHM,5%,1/2W,AA,TP,2.4X6.4M	
5	L704	2701-000177 INDUCTOR-AXIAL;33uH,10%,2.5x3.4mm		5 R422	2008-001149	R-FUSIBLE(S);0.22OHM,5%,2W,AF,TP,3.8X11M	
5	L705	2701-000177 INDUCTOR-AXIAL;33uH,10%,2.5x3.4mm		5 R423	2004-005051	R-METAL(S);2.2KOHM,1%,1/2W,AA,TP,2.4X6.4	
5	L706	2701-000177 INDUCTOR-AXIAL;33uH,10%,2.5x3.4mm		5 R424	2008-001109	R-FUSIBLE(S);0.18ohm,10%,2W,AG,TP,3.9x12	
5	L801	3301-001223 CORE-FERRITE BEAD;AA,62ohm,3.5x0.8x5mm,-		5 R425	2008-001109	R-FUSIBLE(S);0.18ohm,10%,2W,AG,TP,3.9x12	
5	L802	3301-001223 CORE-FERRITE BEAD;AA,62ohm,3.5x0.8x5mm,-		5 R426	2003-000540	R-METAL OXIDE(S);1Kohm,5%,2W,AF,TP,4x12m	
5	L803	3301-001223 CORE-FERRITE BEAD;AA,62ohm,3.5x0.8x5mm,-		5 R428	2004-000698	R-METAL;3.3Kohm,1%,1/4W,AA,TP,2.4x6.4m	
5	L804	2901-000297 FILTER-EMI ON BOARD;-,3A,-,-,3.5x5,TP-		5 R430	2004-002016	R-METAL(S);15Kohm,1%,1/2W,AA,TP,2.5x6.5m	
5	L805	3301-000287 CORE-FERRITE BEAD;AA,3.5x1.0x6.0mm,1500,		5 R431	2004-002016	R-METAL(S);15Kohm,1%,1/2W,AA,TP,2.5x6.5m	
5	L806	3301-001223 CORE-FERRITE BEAD;AA,62ohm,3.5x0.8x5mm,-		5 R432	2001-001179	R-CARBON(S);68KOHM,5%,1/2W,AA,TP,2.4X6.4	
5	L807	2901-000299 FILTER-EMI ON BOARD;-,6A,UL/CSA,-,9x7.5,		5 R433	2003-000540	R-METAL OXIDE(S);1Kohm,5%,2W,AF,TP,4x12m	
5	L809	3301-000287 CORE-FERRITE BEAD;AA,3.5x1.0x6.0mm,1500,		5 R434	2901-000297	FILTER-EMI ON BOARD;-,3A,-,-,3.5x5,TP-	
5	L811	2701-001030 INDUCTOR-AXIAL;43uH,10%,5x14mm		5 R435	2003-000784	R-METAL OXIDE(S);7.5Kohm,5%,2W,AF,TP,4x1	
5	L901	2702-001094 INDUCTOR-RADIAL;10uH,10%,6x4mm		5 R440	2004-005052	R-METAL(S);24KOHM,5%,1/2W,AA,TP,2.4X6.4M	
5	L902	2701-000184 INDUCTOR-AXIAL;4.7uH,10%,2.5x3.4mm		5 R601	2001-000429	R-CARBON;1KOHM,5%,1/8W,AA,TP,1.8X3.2MM	
5	L903	2702-001094 INDUCTOR-RADIAL;10uH,10%,6x4mm		5 R602	2001-000429	R-CARBON;1KOHM,5%,1/8W,AA,TP,1.8X3.2MM	
5	L904	2702-001094 INDUCTOR-RADIAL;10uH,10%,6x4mm		5 R603	2001-000429	R-CARBON;1KOHM,5%,1/8W,AA,TP,1.8X3.2MM	
5	L907	2701-000114 INDUCTOR-AXIAL;10uH,10%,2.5x3.4mm		5 R604	2001-000281	R-CARBON;1000HM,5%,1/8W,AA,TP,1.8X3.2MM	
5	L908	2701-000191 INDUCTOR-AXIAL;47uH,10%,2.5x3.4mm		5 R605	2001-000281	R-CARBON;1000HM,5%,1/8W,AA,TP,1.8X3.2MM	
5	L909	2701-000191 INDUCTOR-AXIAL;47uH,10%,2.5x3.4mm		5 R606	2001-000290	R-CARBON;10KOHM,5%,1/8W,AA,TP,1.8X3.2MM	
5	PCB	AA41-00667A PCB-MAIN;CT292THR,FR-1,1L,A,1.6T,330X245	S.N.A	5 R607	2001-000780	R-CARBON;470OHM,5%,1/8W,AA,TP,1.8X3.2MM	
5	Q404	0505-000156 FET-SILICON;IRF620,N,200V,5A,0.8ohm,50W,		5 R608	2001-000780	R-CARBON;470OHM,5%,1/8W,AA,TP,1.8X3.2MM	

Electrical Parts List

Loc. No.	Code No.	Description ; Specification	Remark	Loc. No.	Code No.	Description ; Specification	Remark
....4	IC06	1203-002000 IC-VOL. DETECTOR;7027,TO-92,3P,-,PLASTIC	6CC08	0501-000280	TR-SMALL SIGNAL;KSA1182,PNP,150mW,SOT-23	
....4	SX01	2802-001179 RESONATOR-CERAMIC;4MHZ,0.5%,BK,8X3X5.5MM	6CC09	0501-000344	TR-SMALL SIGNAL;KSC1623-G,NPN,200mW,SOT-	
....4	AA97-07506M	ASSY AUTO-NTSC F-BOX;CT-29Z7HR,K55A	S.N.A6CC12	0501-000344	TR-SMALL SIGNAL;KSC1623-G,NPN,200mW,SOT-	
....5	EC49	2401-002463 C-AL;470uF;20%,16V,GP,TP,8x11.5,5	6CC13	0501-000280	TR-SMALL SIGNAL;KSA1182,PNP,150mW,SOT-23	
....5	AA97-07233D	ASSY SMD-NTSC F-BOX;CT-29Z7HR,K55A	S.N.A6CC14	0501-000280	TR-SMALL SIGNAL;KSA1182,PNP,150mW,SOT-23	
.....6CC01	2402-000179	C-AL,SMD;47uF;20%,16V,GP,TP,6.6x6.6x5.4	6CC15	0501-000344	TR-SMALL SIGNAL;KSC1623-G,NPN,200mW,SOT-	
.....6CC02	2203-000181	C-CERAMIC,CHIP,100nF,+80-20%,25V,Y5V,TP,	6CC16	0501-000280	TR-SMALL SIGNAL;KSA1182,PNP,150mW,SOT-23	
.....6CC03	2203-000181	C-CERAMIC,CHIP,100nF,+80-20%,25V,Y5V,TP,	6CC17	0501-000280	TR-SMALL SIGNAL;KSA1182,PNP,150mW,SOT-23	
.....6CC04	2402-001049	C-AL,CHIP,10uF;20%,16V,GP,TP,3.3x3.3x5.4	6CC18	0501-000344	TR-SMALL SIGNAL;KSC1623-G,NPN,200mW,SOT-	
.....6CC05	2203-001035	C-CERAMIC,CHIP;5.6nF;10%,50V,X7R,TP,2012	6CC19	0501-000280	TR-SMALL SIGNAL;KSA1182,PNP,150mW,SOT-23	
.....6CC06	2402-000170	C-AL,SMD;1uF;20%,50V,GP,TP,4.3x4.3x5.4,	6CC20	0501-000344	TR-SMALL SIGNAL;KSC1623-G,NPN,200mW,SOT-	
.....6CC07	2203-000181	C-CERAMIC,CHIP,100nF,+80-20%,25V,Y5V,TP,	6CC21	0501-000280	TR-SMALL SIGNAL;KSA1182,PNP,150mW,SOT-23	
.....6CC08	2203-000181	C-CERAMIC,CHIP,100nF,+80-20%,25V,Y5V,TP,	6CR01	2007-000094	R-CHIP;22Kohm,5%,1/16W,DA,TP,1608	
.....6CC09	2203-000181	C-CERAMIC,CHIP,100nF,+80-20%,25V,Y5V,TP,	6CR02	2007-000088	R-CHIP;7.5Kohm,5%,1/16W,DA,TP,1608	
.....6CC10	2402-001049	C-AL,CHIP,10uF;20%,16V,GP,TP,3.3x3.3x5.4	6CR03	2007-000309	R-CHIP;10ohm,5%,1/16W,DA,TP,1608	
.....6CC11	2203-000181	C-CERAMIC,CHIP,100nF,+80-20%,25V,Y5V,TP,	6CR04	2007-000078	R-CHIP;1Kohm,5%,1/16W,DA,TP,1608	
.....6CC12	2402-001049	C-AL,CHIP,10uF;20%,16V,GP,TP,3.3x3.3x5.4	6CR05	2007-000119	R-CHIP;560ohm,5%,1/16W,DA,TP,1608	
.....6CC13	2203-000181	C-CERAMIC,CHIP,100nF,+80-20%,25V,Y5V,TP,	6CR06	2007-000086	R-CHIP;5.6Kohm,5%,1/16W,DA,TP,1608	
.....6CC14	2203-000181	C-CERAMIC,CHIP,100nF,+80-20%,25V,Y5V,TP,	6CR07	2007-000074	R-CHIP;100ohm,5%,1/16W,DA,TP,1608	
.....6CC15	2203-000181	C-CERAMIC,CHIP,100nF,+80-20%,25V,Y5V,TP,	6CR08	2007-000119	R-CHIP;560ohm,5%,1/16W,DA,TP,1608	
.....6CC16	2203-000181	C-CERAMIC,CHIP,100nF,+80-20%,25V,Y5V,TP,	6CR09	2007-001157	R-CHIP;750ohm,5%,1/16W,DA,TP,1608	
.....6CC17	2203-000181	C-CERAMIC,CHIP,100nF,+80-20%,25V,Y5V,TP,	6CR10	2007-000074	R-CHIP;100ohm,5%,1/16W,DA,TP,1608	
.....6CC18	2203-000181	C-CERAMIC,CHIP,100nF,+80-20%,25V,Y5V,TP,	6CR11	2007-000078	R-CHIP;1Kohm,5%,1/16W,DA,TP,1608	
.....6CC19	2203-000181	C-CERAMIC,CHIP,100nF,+80-20%,25V,Y5V,TP,	6CR12	2007-000094	R-CHIP;22Kohm,5%,1/16W,DA,TP,1608	
.....6CC20	2203-000181	C-CERAMIC,CHIP,100nF,+80-20%,25V,Y5V,TP,	6CR13	2007-000088	R-CHIP;7.5Kohm,5%,1/16W,DA,TP,1608	
.....6CC21	2402-000179	C-AL,SMD;47uF;20%,16V,GP,TP,6.6x6.6x5.4	6CR14	2007-000078	R-CHIP;1Kohm,5%,1/16W,DA,TP,1608	
.....6CC22	2203-000181	C-CERAMIC,CHIP,100nF,+80-20%,25V,Y5V,TP,	6CR15	2007-000078	R-CHIP;1Kohm,5%,1/16W,DA,TP,1608	
.....6CC23	2402-000179	C-AL,SMD;47uF;20%,16V,GP,TP,6.6x6.6x5.4	6CR16	2007-000119	R-CHIP;560ohm,5%,1/16W,DA,TP,1608	
.....6CC24	2203-000181	C-CERAMIC,CHIP,100nF,+80-20%,25V,Y5V,TP,	6CR17	2007-000086	R-CHIP;5.6Kohm,5%,1/16W,DA,TP,1608	
.....6CC25	2203-000181	C-CERAMIC,CHIP,100nF,+80-20%,25V,Y5V,TP,	6CR18	2007-000074	R-CHIP;100ohm,5%,1/16W,DA,TP,1608	
.....6CC27	2203-000634	C-CERAMIC,CHIP;0.022nF;5%,50V,NP0,TP,201	6CR19	2007-001093	R-CHIP;620ohm,5%,1/16W,DA,TP,1608	
.....6CC28	2203-000634	C-CERAMIC,CHIP;0.022nF;5%,50V,NP0,TP,201	6CR20	2007-000119	R-CHIP;560ohm,5%,1/16W,DA,TP,1608	
.....6CC29	2203-001223	C-CERAMIC,CHIP;0.82nF;10%,50V,X7R,TP,201	6CR21	2007-000074	R-CHIP;100ohm,5%,1/16W,DA,TP,1608	
.....6CC30	2203-001048	C-CERAMIC,CHIP;0.56nF;10%,50V,NP0,TP,201	6CR22	2007-000078	R-CHIP;1Kohm,5%,1/16W,DA,TP,1608	
.....6CC31	2203-000979	C-CERAMIC,CHIP;47nF;10%,50V,X7R,TP,2012	6CR23	2007-000075	R-CHIP;220ohm,5%,1/16W,DA,TP,1608	
.....6CC32	2203-000181	C-CERAMIC,CHIP,100nF,+80-20%,25V,Y5V,TP,	6CR24	2007-000078	R-CHIP;1Kohm,5%,1/16W,DA,TP,1608	
.....6CC33	2402-000179	C-AL,SMD;47uF;20%,16V,GP,TP,6.6x6.6x5.4	6CR25	2007-000124	R-CHIP;2.2Kohm,5%,1/16W,DA,TP,1608	
.....6CC34	2402-000179	C-AL,SMD;47uF;20%,16V,GP,TP,6.6x6.6x5.4	6CR26	2007-000097	R-CHIP;47Kohm,5%,1/16W,DA,TP,1608	
.....6CC35	2203-000181	C-CERAMIC,CHIP,100nF,+80-20%,25V,Y5V,TP,	6CR27	2007-000106	R-CHIP;220Kohm,5%,1/16W,DA,TP,1608	
.....6CC36	2203-000634	C-CERAMIC,CHIP;0.022nF;5%,50V,NP0,TP,201	6CR28	2007-000077	R-CHIP;470ohm,5%,1/16W,DA,TP,1608	
.....6CC37	2203-000181	C-CERAMIC,CHIP,100nF,+80-20%,25V,Y5V,TP,	6CR29	2007-000084	R-CHIP;4.7Kohm,5%,1/16W,DA,TP,1608	
.....6CC38	2402-000179	C-AL,SMD;47uF;20%,16V,GP,TP,6.6x6.6x5.4	6CR30	2007-000074	R-CHIP;100ohm,5%,1/16W,DA,TP,1608	
.....6CC39	2203-000181	C-CERAMIC,CHIP,100nF,+80-20%,25V,Y5V,TP,	6CR31	2007-000074	R-CHIP;100ohm,5%,1/16W,DA,TP,1608	
.....6CC40	2203-000361	C-CERAMIC,CHIP;0.15nF;5%,50V,NP0,TP,2012	6CR32	2007-000070	R-CHIP;0ohm,5%,1/16W,DA,TP,1608	
.....6CC41	2402-000179	C-AL,SMD;47uF;20%,16V,GP,TP,6.6x6.6x5.4	6CR33	2007-000102	R-CHIP;100Kohm,5%,1/16W,DA,TP,1608	
.....6CC42	2203-000181	C-CERAMIC,CHIP,100nF,+80-20%,25V,Y5V,TP,	6CR34	2007-000799	R-CHIP;360ohm,5%,1/16W,DA,TP,1608	
.....6CC43	2203-000181	C-CERAMIC,CHIP,100nF,+80-20%,25V,Y5V,TP,	6CR35	2007-000075	R-CHIP;220ohm,5%,1/16W,DA,TP,1608	
.....6CC44	2402-000179	C-AL,SMD;47uF;20%,16V,GP,TP,6.6x6.6x5.4	6CR36	2007-000309	R-CHIP;10ohm,5%,1/16W,DA,TP,1608	
.....6CC45	2402-000179	C-AL,SMD;47uF;20%,16V,GP,TP,6.6x6.6x5.4	6CR37	2007-000124	R-CHIP;2.2Kohm,5%,1/16W,DA,TP,1608	
.....6CC46	2203-000181	C-CERAMIC,CHIP,100nF,+80-20%,25V,Y5V,TP,	6CR38	2007-000119	R-CHIP;560ohm,5%,1/16W,DA,TP,1608	
.....6CC47	2203-000181	C-CERAMIC,CHIP,100nF,+80-20%,25V,Y5V,TP,	6CR39	2007-000077	R-CHIP;470ohm,5%,1/16W,DA,TP,1608	
.....6CC48	2402-000179	C-AL,SMD;47uF;20%,16V,GP,TP,6.6x6.6x5.4	6CR40	2007-000086	R-CHIP;5.6Kohm,5%,1/16W,DA,TP,1608	
.....6CC49	2203-000181	C-CERAMIC,CHIP,100nF,+80-20%,25V,Y5V,TP,	6CR41	2007-000077	R-CHIP;470ohm,5%,1/16W,DA,TP,1608	
.....6CC50	2402-000179	C-AL,SMD;47uF;20%,16V,GP,TP,6.6x6.6x5.4	6CR42	2007-000074	R-CHIP;100ohm,5%,1/16W,DA,TP,1608	
.....6CC51	2402-000179	C-AL,SMD;47uF;20%,16V,GP,TP,6.6x6.6x5.4	6CR43	2007-000211	R-CHIP;1.1Kohm,5%,1/16W,DA,TP,1608	
.....6CC52	2402-000170	C-AL,SMD;1uF;20%,50V,GP,TP,4.3x4.3x5.4,	6CR44	2007-000113	R-CHIP;33ohm,5%,1/16W,DA,TP,1608	
.....6CD01	0401-000133	DIODE-SWITCHING;RLS4148,100V,200MA,SOD-8	6CR45	2007-000077	R-CHIP;470ohm,5%,1/16W,DA,TP,1608	
.....6CF01	2909-001052	FILTER-LC;3.58MHz,3MHz,1.5dB,TP,11dB/1.0	6CR46	2007-000309	R-CHIP;10ohm,5%,1/16W,DA,TP,1608	
.....6CF02	2909-001051	FILTER-LC;6MHz,6MHz,0.8dB,TP,5dB/6MHz,30	6CR47	2007-000124	R-CHIP;2.2Kohm,5%,1/16W,DA,TP,1608	
.....6CF03	2909-001051	FILTER-LC;6MHz,6MHz,0.8dB,TP,5dB/6MHz,30	6CR48	2007-000078	R-CHIP;1Kohm,5%,1/16W,DA,TP,1608	
.....6CF04	2909-001051	FILTER-LC;6MHz,6MHz,0.8dB,TP,5dB/6MHz,30	6CR49	2007-000078	R-CHIP;1Kohm,5%,1/16W,DA,TP,1608	
.....6CL01	2703-000398	INDUCTOR-SMD;10uH,10%,3.2x2.5x2.2mm	6CR50	2007-000096	R-CHIP;30Kohm,5%,1/16W,DA,TP,1608	
.....6CL02	2703-000398	INDUCTOR-SMD;10uH,10%,3.2x2.5x2.2mm	6CR51	2007-000125	R-CHIP;3.9Kohm,5%,1/16W,DA,TP,1608	
.....6CL03	2703-000398	INDUCTOR-SMD;10uH,10%,3.2x2.5x2.2mm	6CR52	2007-000124	R-CHIP;2.2Kohm,5%,1/16W,DA,TP,1608	
.....6CL04	2703-000398	INDUCTOR-SMD;10uH,10%,3.2x2.5x2.2mm	6CR53	2007-000077	R-CHIP;470ohm,5%,1/16W,DA,TP,1608	
.....6CL05	2703-000389	INDUCTOR-SMD;5.6uH,5%,3.2x2.5x2.2mm	6CR54	2007-000077	R-CHIP;470ohm,5%,1/16W,DA,TP,1608	
.....6CL06	2703-000398	INDUCTOR-SMD;10uH,10%,3.2x2.5x2.2mm	6CR55	2007-000074	R-CHIP;100ohm,5%,1/16W,DA,TP,1608	
.....6CL07	2703-000398	INDUCTOR-SMD;10uH,10%,3.2x2.5x2.2mm	6CR56	2007-000234	R-CHIP;1.3Kohm,5%,1/16W,DA,TP,1608	
.....6CL08	2703-000398	INDUCTOR-SMD;10uH,10%,3.2x2.5x2.2mm	6CR57	2007-000077	R-CHIP;470ohm,5%,1/16W,DA,TP,1608	
.....6CL11	3301-001324	CORE-FERRITE BEAD;AB,150OHM,2X1.25X0.9MM,	6CR58	2007-000077	R-CHIP;470ohm,5%,1/16W,DA,TP,1608	
.....6CQ01	0501-000280	TR-SMALL SIGNAL;KSA1182,PNP,150mW,SOT-23	6CR59	2007-000290	R-CHIP;100OHM,5%,1/10W,DA,TP,2012	
.....6CQ02	0501-000280	TR-SMALL SIGNAL;KSA1182,PNP,150mW,SOT-23	6CR60	2007-000290	R-CHIP;100OHM,5%,1/10W,DA,TP,2012	
.....6CQ03	0501-000344	TR-SMALL SIGNAL;KSC1623-G,NPN,200mW,SOT-	6DC01	2203-000444	C-CERAMIC,CHIP;1nF,10%,50V,X7R,TP,2012,-	
.....6CQ04	0501-000280	TR-SMALL SIGNAL;KSA1182,PNP,150mW,SOT-23	6DC02	2203-000444	C-CERAMIC,CHIP;1nF,10%,50V,X7R,TP,2012,-	
.....6CQ05	0501-000344	TR-SMALL SIGNAL;KSC1623-G,NPN,200mW,SOT-	6DC03	2203-000181	C-CERAMIC,CHIP;100nF,+80-20%,25V,Y5V,TP,	
.....6CQ06	0501-000280	TR-SMALL SIGNAL;KSA1182,PNP,150mW,SOT-23	6DC04	2402-001042	C-AL,SMD;100uF;20%,16V,GP,TP,6.6x6.6x5.4	
.....6CQ07	0501-000344	TR-SMALL SIGNAL;KSC1623-G,NPN,200mW,SOT-	6DC05	2203-000181	C-CERAMIC,CHIP;100nF,+80-20%,25V,Y5V,TP,	

Loc. No.	Code No.	Description ; Specification	Remark	Loc. No.	Code No.	Description ; Specification	Remark
.....6DC06	2402-000173	C-AL,SMD;4.7uF,20%,35V,GP,TP,4.3x4.3x5.	6DR05	2007-000074	R-CHIP;100ohm,5%,1/16W,DA,TP,1608	
.....6DC07	2203-000495	C-CERAMIC,CHIP;2.2nF,10%,50V,X7R,TP,2012	6DR06	2007-000074	R-CHIP;100ohm,5%,1/16W,DA,TP,1608	
.....6DC08	2203-002494	C-CERAMIC,CHIP;470nF,10%,16V,X7R,TP,2012	6DR07	2007-000070	R-CHIP;0ohm,5%,1/16W,DA,TP,1608	
.....6DC09	2402-000170	C-AL,SMD;1uF,20%,50V,GP,TP,4.3x4.3x5.4.	6DR08	2007-000691	R-CHIP;3.3Mohm,5%,1/16W,DA,TP,1608	
.....6DC10	2203-000181	C-CERAMIC,CHIP;100nF,+80-20%,25V,Y5V,TP,	6DR09	2007-000074	R-CHIP;100ohm,5%,1/16W,DA,TP,1608	
.....6DC11	2203-000181	C-CERAMIC,CHIP;100nF,+80-20%,25V,Y5V,TP,	6DR10	2007-000074	R-CHIP;100ohm,5%,1/16W,DA,TP,1608	
.....6DC12	2402-001042	C-AL,SMD;100uF,20%,16V,GP,TP,6.6x6.6x5.4	6DR11	2007-000074	R-CHIP;100ohm,5%,1/16W,DA,TP,1608	
.....6DC13	2402-001042	C-AL,SMD;100uF,20%,16V,GP,TP,6.6x6.6x5.4	6DR12	2007-000074	R-CHIP;100ohm,5%,1/16W,DA,TP,1608	
.....6DC14	2203-000181	C-CERAMIC,CHIP;100nF,+80-20%,25V,Y5V,TP,	6DR13	2007-000086	R-CHIP;5.6Kohm,5%,1/16W,DA,TP,1608	
.....6DC15	2203-000181	C-CERAMIC,CHIP;100nF,+80-20%,25V,Y5V,TP,	6DR14	2007-000086	R-CHIP;5.6Kohm,5%,1/16W,DA,TP,1608	
.....6DC16	2203-000181	C-CERAMIC,CHIP;100nF,+80-20%,25V,Y5V,TP,	6DR15	2007-000869	R-CHIP;4.7Kohm,1%,1/16W,DA,TP,1608	
.....6DC17	2203-000181	C-CERAMIC,CHIP;100nF,+80-20%,25V,Y5V,TP,	6DR16	2007-000074	R-CHIP;100ohm,5%,1/16W,DA,TP,1608	
.....6DC18	2203-000181	C-CERAMIC,CHIP;100nF,+80-20%,25V,Y5V,TP,	6DR17	2007-000074	R-CHIP;100ohm,5%,1/16W,DA,TP,1608	
.....6DC19	2203-000181	C-CERAMIC,CHIP;100nF,+80-20%,25V,Y5V,TP,	6DR18	2007-000074	R-CHIP;100ohm,5%,1/16W,DA,TP,1608	
.....6DC20	2203-002494	C-CERAMIC,CHIP;470nF,10%,16V,X7R,TP,2012	6DR19	2007-000074	R-CHIP;100ohm,5%,1/16W,DA,TP,1608	
.....6DC21	2203-000181	C-CERAMIC,CHIP;100nF,+80-20%,25V,Y5V,TP,	6DR20	2007-000074	R-CHIP;100ohm,5%,1/16W,DA,TP,1608	
.....6DC22	2203-002494	C-CERAMIC,CHIP;470nF,10%,16V,X7R,TP,2012	6DR21	2007-000074	R-CHIP;100ohm,5%,1/16W,DA,TP,1608	
.....6DC23	2402-000173	C-AL,SMD;4.7uF,20%,35V,GP,TP,4.3x4.3x5.	6DR23	2007-000052	R-CHIP;10Kohm,1%,1/16W,DA,TP,1608	
.....6DC24	2402-001042	C-AL,SMD;100uF,20%,16V,GP,TP,6.6x6.6x5.4	6DR24	2007-000092	R-CHIP;15Kohm,5%,1/16W,DA,TP,1608	
.....6DC25	2203-000181	C-CERAMIC,CHIP;100nF,+80-20%,25V,Y5V,TP,	6DR25	2007-000077	R-CHIP;470ohm,5%,1/16W,DA,TP,1608	
.....6DC26	2203-000181	C-CERAMIC,CHIP;100nF,+80-20%,25V,Y5V,TP,	6DR26	2007-000074	R-CHIP;100ohm,5%,1/16W,DA,TP,1608	
.....6DC27	2203-000181	C-CERAMIC,CHIP;100nF,+80-20%,25V,Y5V,TP,	6DR27	2007-000068	R-CHIP;470KOHM,5%,1/10W,DA,TP,2012	
.....6DC28	2203-000181	C-CERAMIC,CHIP;100nF,+80-20%,25V,Y5V,TP,	6DR28	2007-000068	R-CHIP;470KOHM,5%,1/10W,DA,TP,2012	
.....6DC29	2203-000181	C-CERAMIC,CHIP;100nF,+80-20%,25V,Y5V,TP,	6DR29	2007-000118	R-CHIP;390ohm,5%,1/16W,DA,TP,1608	
.....6DC30	2402-001042	C-AL,SMD;100uF,20%,16V,GP,TP,6.6x6.6x5.4	6DR30	2007-000074	R-CHIP;100ohm,5%,1/16W,DA,TP,1608	
.....6DC31	2203-002494	C-CERAMIC,CHIP;470nF,10%,16V,X7R,TP,2012	6DR31	2007-000124	R-CHIP;2.2Kohm,5%,1/16W,DA,TP,1608	
.....6DC32	2203-000575	C-CERAMIC,CHIP;220NF,10%,25V,X7R,TP,2012	6DR32	2007-000081	R-CHIP;2.7Kohm,5%,1/16W,DA,TP,1608	
.....6DC33	2203-002494	C-CERAMIC,CHIP;470nF,10%,16V,X7R,TP,2012	6DR33	2007-000082	R-CHIP;3.3Kohm,5%,1/16W,DA,TP,1608	
.....6DC34	2203-000891	C-CERAMIC,CHIP;4.7nF,10%,50V,X7R,TP,2012	6DR34	2007-000084	R-CHIP;4.7Kohm,5%,1/16W,DA,TP,1608	
.....6DC35	2203-000979	C-CERAMIC,CHIP;47nF,10%,50V,X7R,TP,2012	6DR35	2007-000074	R-CHIP;100ohm,5%,1/16W,DA,TP,1608	
.....6DC36	2203-000260	C-CERAMIC,CHIP;10nF,10%,50V,X7R,TP,2012	6DR36	2007-000074	R-CHIP;100ohm,5%,1/16W,DA,TP,1608	
.....6DC37	2203-000181	C-CERAMIC,CHIP;100nF,+80-20%,25V,Y5V,TP,	6DR37	2007-000084	R-CHIP;4.7Kohm,5%,1/16W,DA,TP,1608	
.....6DC38	2203-000181	C-CERAMIC,CHIP;100nF,+80-20%,25V,Y5V,TP,	6DR38	2007-000124	R-CHIP;2.2Kohm,5%,1/16W,DA,TP,1608	
.....6DC39	2402-001049	C-AL,CHIP;10uF,20%,16V,GP,TP,3.3x3.3x5.4	6DR39	2007-000124	R-CHIP;2.2Kohm,5%,1/16W,DA,TP,1608	
.....6DC40	2203-000444	C-CERAMIC,CHIP;1nF,10%,50V,X7R,TP,2012,-	6DR40	2007-000072	R-CHIP;47ohm,5%,1/16W,DA,TP,1608	
.....6DC43	2402-001042	C-AL,SMD;100uF,20%,16V,GP,TP,6.6x6.6x5.4	6DR41	2007-000072	R-CHIP;470ohm,5%,1/16W,DA,TP,1608	
.....6DC44	2203-000181	C-CERAMIC,CHIP;100nF,+80-20%,25V,Y5V,TP,	6DR42	2007-000074	R-CHIP;100ohm,5%,1/16W,DA,TP,1608	
.....6DC45	2203-000575	C-CERAMIC,CHIP;220NF,10%,25V,X7R,TP,2012	6DR43	2007-000078	R-CHIP;1Kohm,5%,1/16W,DA,TP,1608	
.....6DC49	2402-000179	C-AL,SMD;47uF,20%,16V,GP,TP,6.6x6.6x5.4	6DR44	2007-000078	R-CHIP;1Kohm,5%,1/16W,DA,TP,1608	
.....6DC50	2402-001049	C-AL,CHIP;10uF,20%,16V,GP,TP,3.3x3.3x5.4	6DR45	2007-000078	R-CHIP;1Kohm,5%,1/16W,DA,TP,1608	
.....6DC52	2402-001049	C-AL,CHIP;10uF,20%,16V,GP,TP,3.3x3.3x5.4	6DR46	2007-000078	R-CHIP;1Kohm,5%,1/16W,DA,TP,1608	
.....6DD01	0401-000133	DIODE-SWITCHING;RLS4148,100V,200MA,SOD-8	6DR47	2007-000090	R-CHIP;10KOHM,5%,1/16W,DA,TP,1608	
.....6DD02	0401-000133	DIODE-SWITCHING;RLS4148,100V,200MA,SOD-8	6DR49	2007-000074	R-CHIP;100ohm,5%,1/16W,DA,TP,1608	
.....6DD03	0403-001117	DIODE-ZENER;RLZ12B,5%,500mW,LL-34,TP	6DR50	2007-000074	R-CHIP;100ohm,5%,1/16W,DA,TP,1608	
.....6DD04	0403-001117	DIODE-ZENER;RLZ12B,5%,500mW,LL-34,TP	6DR51	2007-000074	R-CHIP;100ohm,5%,1/16W,DA,TP,1608	
.....6DD05	0403-001117	DIODE-ZENER;RLZ12B,5%,500mW,LL-34,TP	6DR52	2007-000210	R-CHIP;1.1KOHM,5%,1/10W,DA,TP,2012	
.....6DD06	0403-001117	DIODE-ZENER;RLZ12B,5%,500mW,LL-34,TP	6DR53	2007-000210	R-CHIP;1.1KOHM,5%,1/10W,DA,TP,2012	
.....6DD07	0403-001117	DIODE-ZENER;RLZ12B,5%,500mW,LL-34,TP	6DR54	2007-000210	R-CHIP;1.1KOHM,5%,1/10W,DA,TP,2012	
.....6DD08	0401-000133	DIODE-SWITCHING;RLS4148,100V,200MA,SOD-8	6DR55	2007-000210	R-CHIP;1.1KOHM,5%,1/10W,DA,TP,2012	
.....6DD09	0401-000133	DIODE-SWITCHING;RLS4148,100V,200MA,SOD-8	6DR56	2007-000210	R-CHIP;1.1KOHM,5%,1/10W,DA,TP,2012	
.....6DD10	0401-000133	DIODE-SWITCHING;RLS4148,100V,200MA,SOD-8	6DR57	2007-000210	R-CHIP;1.1KOHM,5%,1/10W,DA,TP,2012	
.....6DD12	0403-000746	DIODE-ZENER;RLZ3.9B,3.9V,3.89-4.16V,400m	6DR58	2007-000074	R-CHIP;100ohm,5%,1/16W,DA,TP,1608	
.....6DD13	0401-000133	DIODE-SWITCHING;RLS4148,100V,200MA,SOD-8	6DR59	2007-000074	R-CHIP;100ohm,5%,1/16W,DA,TP,1608	
.....6DD14	0401-000133	DIODE-SWITCHING;RLS4148,100V,200MA,SOD-8	6DR60	2007-000074	R-CHIP;100ohm,5%,1/16W,DA,TP,1608	
.....6DD15	0401-000133	DIODE-SWITCHING;RLS4148,100V,200MA,SOD-8	6DR61	2007-000090	R-CHIP;10KOHM,5%,1/16W,DA,TP,1608	
.....6DD16	0401-000133	DIODE-SWITCHING;RLS4148,100V,200MA,SOD-8	6DR62	2007-000090	R-CHIP;10KOHM,5%,1/16W,DA,TP,1608	
.....6DD17	0401-000133	DIODE-SWITCHING;RLS4148,100V,200MA,SOD-8	6DR63	2007-000084	R-CHIP;4.7Kohm,5%,1/16W,DA,TP,1608	
.....6DD18	0401-000133	DIODE-SWITCHING;RLS4148,100V,200MA,SOD-8	6DR64	2007-000090	R-CHIP;10KOHM,5%,1/16W,DA,TP,1608	
.....6DD19	0401-000133	DIODE-SWITCHING;RLS4148,100V,200MA,SOD-8	6DR65	2007-000074	R-CHIP;100ohm,5%,1/16W,DA,TP,1608	
.....6DD20	0403-000620	DIODE-ZENER;RLZ5.6B,5.6,500mW,LL-34,TP	6DR66	2007-000872	R-CHIP;4.7KOHM,5%,1/10W,DA,TP,2012	
.....6DL01	2703-000398	INDUCTOR-SMD;10uH,10%,3.2x2.5x2.2mm	6DR67	2007-000080	R-CHIP;2Kohm,5%,1/16W,DA,TP,1608	
.....6DL02	2703-000398	INDUCTOR-SMD;10uH,10%,3.2x2.5x2.2mm	6DR68	2007-000080	R-CHIP;2Kohm,5%,1/16W,DA,TP,1608	
.....6DL03	2703-001070	INDUCTOR-SMD;100uH,10%,4.5x3.2x3.2mm	6DR69	2007-000090	R-CHIP;10KOHM,5%,1/16W,DA,TP,1608	
.....6DQ01	0501-000344	TR-SMALL SIGNAL;KSC1623-G,NPN,200mW,SOT-	6DR70	2007-000097	R-CHIP;47Kohm,5%,1/16W,DA,TP,1608	
.....6DQ02	0501-000280	TR-SMALL SIGNAL;KSA1182,PNP,150mW,SOT-23	6DR71	2007-000094	R-CHIP;22Kohm,5%,1/16W,DA,TP,1608	
.....6DQ03	0501-000280	TR-SMALL SIGNAL;KSA1182,PNP,150mW,SOT-23	6EC01	2203-000181	C-CERAMIC,CHIP;100nF,+80-20%,25V,Y5V,TP,	
.....6DQ04	0501-000280	TR-SMALL SIGNAL;KSA1182,PNP,150mW,SOT-23	6EC02	2203-000181	C-CERAMIC,CHIP;100nF,+80-20%,25V,Y5V,TP,	
.....6DQ05	0501-000280	TR-SMALL SIGNAL;KSA1182,PNP,150mW,SOT-23	6EC03	2203-000181	C-CERAMIC,CHIP;100nF,+80-20%,25V,Y5V,TP,	
.....6DQ06	0501-000344	TR-SMALL SIGNAL;KSC1623-G,NPN,200mW,SOT-	6EC04	2203-000181	C-CERAMIC,CHIP;100nF,+80-20%,25V,Y5V,TP,	
.....6DQ07	0501-000344	TR-SMALL SIGNAL;KSC1623-G,NPN,200mW,SOT-	6EC07	2203-000979	C-CERAMIC,CHIP;47nF,10%,50V,X7R,TP,2012	
.....6DQ08	0501-000344	TR-SMALL SIGNAL;KSC1623-G,NPN,200mW,SOT-	6EC08	2203-000575	C-CERAMIC,CHIP;220NF,10%,25V,X7R,TP,2012	
.....6DQ09	0501-000727	TR-SMALL SIGNAL;BC848C,NPN,310mW,SOT-23	6EC09	2203-000575	C-CERAMIC,CHIP;220NF,10%,25V,X7R,TP,2012	
.....6DQ10	0501-000280	TR-SMALL SIGNAL;KSA1182,PNP,150mW,SOT-23	6EC10	2203-000575	C-CERAMIC,CHIP;220NF,10%,25V,X7R,TP,2012	
.....6DQ11	0501-000344	TR-SMALL SIGNAL;KSC1623-G,NPN,200mW,SOT-	6EC11	2203-000181	C-CERAMIC,CHIP;100nF,+80-20%,25V,Y5V,TP,	
.....6DR02	2007-000074	R-CHIP;100ohm,5%,1/16W,DA,TP,1608	6EC12	2203-000181	C-CERAMIC,CHIP;100nF,+80-20%,25V,Y5V,TP,	
.....6DR03	2007-000074	R-CHIP;100ohm,5%,1/16W,DA,TP,1608	6EC13	2203-000979	C-CERAMIC,CHIP;47nF,10%,50V,X7R,TP,2012	
.....6DR04	2007-000074	R-CHIP;100ohm,5%,1/16W,DA,TP,1608	6EC14	2203-000979	C-CERAMIC,CHIP;47nF,10%,50V,X7R,TP,2012	

Electrical Parts List

Loc. No.	Code No.	Description ; Specification	Remark	Loc. No.	Code No.	Description ; Specification	Remark
.....6EC15	2203-000979	C-CERAMIC,CHIP;47nf,10%,50V,X7R,TP,2012	6GL01	3301-001184	CORE-FERRITE BEAD;AB,1.3kohm,4.5x3.2x1.3	
.....6EC16	2203-000181	C-CERAMIC,CHIP;100nf,+80-20%,25V,Y5V,TP,	6GL02	3301-001184	CORE-FERRITE BEAD;AB,1.3kohm,4.5x3.2x1.3	
.....6EC17	2203-000979	C-CERAMIC,CHIP;47nf,10%,50V,X7R,TP,2012	6IC01	1204-001938	IC-DECODER;VSP9407B-B11,MQFP;80P,14X14MM	
.....6EC18	2203-000979	C-CERAMIC,CHIP;47nf,10%,50V,X7R,TP,2012	6IC02	1204-001814	IC-SELECTOR;CXA2151Q,QFP;48P,144MIL,PLAS	
.....6EC19	2203-000979	C-CERAMIC,CHIP;47nf,10%,50V,X7R,TP,2012	6IC03	1001-001082	IC-VIDEO SWITCH;BA7657F,-,SOP;24P,300MIL	
.....6EC20	2203-000979	C-CERAMIC,CHIP;47nf,10%,50V,X7R,TP,2012	6IC04	1204-001989	IC-VIDEO PROCESS;CXA2165Q,QFP;64P,20X14M	
.....6EC21	2203-000979	C-CERAMIC,CHIP;47nf,10%,50V,X7R,TP,2012	6IC05	1203-002186	IC-POSI.FIXED REG.;18,DPAK,3P,240MIL,PLA	
.....6EC22	2203-000979	C-CERAMIC,CHIP;47nf,10%,50V,X7R,TP,2012	6IC07	1203-002351	IC-VOLTAGE REGULATOR;LF25C,DPAK,3P,240MI	
.....6EC23	2203-000979	C-CERAMIC,CHIP;47nf,10%,50V,X7R,TP,2012	6IC08	1203-001419	IC-VOLTAGE REGULATOR;4931,TO-252,3P,6x6	
.....6EC24	2203-000181	C-CERAMIC,CHIP;100nf,+80-20%,25V,Y5V,TP,	6IC09	1204-001935	IC-SEPARATOR;UPD64083GF,QFP;100P,14X20MM	
.....6EC26	2203-000784	C-CERAMIC,CHIP;0.33nf,5%,50V,NP0,TP,2012	6IC10	1001-001177	IC-VIDEO SWITCH;TEA6425D,VIDEO SWITCH ,S	
.....6EC27	2203-000784	C-CERAMIC,CHIP;0.33nf,5%,50V,NP0,TP,2012	6IC11	0801-000662	IC-CMOS LOGIC;74HC123,MULTIVIBATOR,SOP,1	
.....6EC29	2203-000683	C-CERAMIC,CHIP;0.027nf,5%,50V,NP0,TP,201	6PCB	AA41-00636B	PCB-FEATURE BOX;CT32W,FR-4,4L,B,1.6T,180	S.N.A
.....6EC30	2203-000683	C-CERAMIC,CHIP;0.027nf,5%,50V,NP0,TP,201	6SC01	2203-002494	C-CERAMIC,CHIP;470nf,10%,16V,X7R,TP,2012	
.....6EC31	2203-000683	C-CERAMIC,CHIP;0.027nf,5%,50V,NP0,TP,201	6SC02	2203-002494	C-CERAMIC,CHIP;470nf,10%,16V,X7R,TP,2012	
.....6EC32	2203-000181	C-CERAMIC,CHIP;100nf,+80-20%,25V,Y5V,TP,	6SC03	2203-002494	C-CERAMIC,CHIP;470nf,10%,16V,X7R,TP,2012	
.....6EC33	2203-000181	C-CERAMIC,CHIP;100nf,+80-20%,25V,Y5V,TP,	6SC04	2203-002494	C-CERAMIC,CHIP;470nf,10%,16V,X7R,TP,2012	
.....6EC34	2203-000634	C-CERAMIC,CHIP;0.022nf,5%,50V,NP0,TP,201	6SC05	2203-002494	C-CERAMIC,CHIP;470nf,10%,16V,X7R,TP,2012	
.....6EC35	2203-000634	C-CERAMIC,CHIP;0.022nf,5%,50V,NP0,TP,201	6SC06	2203-002494	C-CERAMIC,CHIP;470nf,10%,16V,X7R,TP,2012	
.....6EC36	2203-000181	C-CERAMIC,CHIP;100nf,+80-20%,25V,Y5V,TP,	6SC07	2203-002494	C-CERAMIC,CHIP;470nf,10%,16V,X7R,TP,2012	
.....6EC37	2203-000181	C-CERAMIC,CHIP;100nf,+80-20%,25V,Y5V,TP,	6SC08	2203-002494	C-CERAMIC,CHIP;470nf,10%,16V,X7R,TP,2012	
.....6EC38	2203-000181	C-CERAMIC,CHIP;100nf,+80-20%,25V,Y5V,TP,	6SC09	2203-002494	C-CERAMIC,CHIP;470nf,10%,16V,X7R,TP,2012	
.....6EC39	2203-000181	C-CERAMIC,CHIP;100nf,+80-20%,25V,Y5V,TP,	6SC10	2203-002494	C-CERAMIC,CHIP;470nf,10%,16V,X7R,TP,2012	
.....6EC40	2203-000181	C-CERAMIC,CHIP;100nf,+80-20%,25V,Y5V,TP,	6SC11	2203-002494	C-CERAMIC,CHIP;470nf,10%,16V,X7R,TP,2012	
.....6EC41	2203-000181	C-CERAMIC,CHIP;100nf,+80-20%,25V,Y5V,TP,	6SC12	2203-002494	C-CERAMIC,CHIP;470nf,10%,16V,X7R,TP,2012	
.....6EC42	2402-000179	C-AL,SMD;47uf,20%,16V,GP,TP,6.6x6.6x5.4	6SC13	2203-002494	C-CERAMIC,CHIP;470nf,10%,16V,X7R,TP,2012	
.....6EC43	2203-000181	C-CERAMIC,CHIP;100nf,+80-20%,25V,Y5V,TP,	6SC14	2402-000179	C-AL,SMD;47uf,20%,16V,GP,TP,6.6x6.6x5.4	
.....6EC44	2402-000179	C-AL,SMD;47uf,20%,16V,GP,TP,6.6x6.6x5.4	6SC15	2203-000181	C-CERAMIC,CHIP;100nf,+80-20%,25V,Y5V,TP,	
.....6EC45	2203-000181	C-CERAMIC,CHIP;100nf,+80-20%,25V,Y5V,TP,	6SC16	2203-000260	C-CERAMIC,CHIP;10nf,10%,50V,X7R,TP,2012	
.....6EC46	2203-000181	C-CERAMIC,CHIP;100nf,+80-20%,25V,Y5V,TP,	6SC17	2203-0005809	C-CERAMIC,CHIP;1000nf,10%,16V,X7R,TP,201	
.....6EC47	2402-000179	C-AL,SMD;47uf,20%,16V,GP,TP,6.6x6.6x5.4	6SC18	2203-000181	C-CERAMIC,CHIP;100nf,+80-20%,25V,Y5V,TP,	
.....6EC50	2402-001049	C-AL,CHIP;10uf,20%,16V,GP,TP,3.3x3.3x5.4	6SC19	2402-000179	C-AL,SMD;47uf,20%,16V,GP,TP,6.6x6.6x5.4	
.....6EC51	2402-001049	C-AL,CHIP;10uf,20%,16V,GP,TP,3.3x3.3x5.4	6SC20	2203-000181	C-CERAMIC,CHIP;100nf,+80-20%,25V,Y5V,TP,	
.....6EC52	2203-000181	C-CERAMIC,CHIP;100nf,+80-20%,25V,Y5V,TP,	6SC21	2402-000179	C-AL,SMD;47uf,20%,16V,GP,TP,6.6x6.6x5.4	
.....6EC53	2203-000181	C-CERAMIC,CHIP;100nf,+80-20%,25V,Y5V,TP,	6SC22	2203-000181	C-CERAMIC,CHIP;100nf,+80-20%,25V,Y5V,TP,	
.....6EC54	2203-000181	C-CERAMIC,CHIP;100nf,+80-20%,25V,Y5V,TP,	6SC23	2203-002494	C-CERAMIC,CHIP;470nf,10%,16V,X7R,TP,2012	
.....6EC55	2203-000181	C-CERAMIC,CHIP;100nf,+80-20%,25V,Y5V,TP,	6SC24	2203-002494	C-CERAMIC,CHIP;470nf,10%,16V,X7R,TP,2012	
.....6EC56	2203-000181	C-CERAMIC,CHIP;100nf,+80-20%,25V,Y5V,TP,	6SC25	2203-002494	C-CERAMIC,CHIP;470nf,10%,16V,X7R,TP,2012	
.....6EC57	2402-001049	C-AL,CHIP;10uf,20%,16V,GP,TP,3.3x3.3x5.4	6SC26	2203-002494	C-CERAMIC,CHIP;470nf,10%,16V,X7R,TP,2012	
.....6EC59	2402-000179	C-AL,SMD;47uf,20%,16V,GP,TP,6.6x6.6x5.4	6SC27	2402-000179	C-AL,SMD;47uf,20%,16V,GP,TP,6.6x6.6x5.4	
.....6EC60	2203-000181	C-CERAMIC,CHIP;100nf,+80-20%,25V,Y5V,TP,	6SC28	2203-000938	C-CERAMIC,CHIP;0.47nf,5%,50V,NP0,TP,2012	
.....6EL02	2703-000274	INDUCTOR-SMD;2.2uH,10%,1.25x2x0.85mm	6SC29	2203-000260	C-CERAMIC,CHIP;10nf,10%,50V,X7R,TP,2012	
.....6EL03	2703-000274	INDUCTOR-SMD;2.2uH,10%,1.25x2x0.85mm	6SC30	2402-000179	C-AL,SMD;47uf,20%,16V,GP,TP,6.6x6.6x5.4	
.....6EL04	3301-001082	CORE-FERRITE BEAD;AB,600HM,3.2X2.5X1.3MM	6SC31	2203-000260	C-CERAMIC,CHIP;10nf,10%,50V,X7R,TP,2012	
.....6EL05	2703-000398	INDUCTOR-SMD;10uH,10%,3.2x2.5x2.2mm	6SC32	2402-000179	C-AL,SMD;47uf,20%,16V,GP,TP,6.6x6.6x5.4	
.....6EL06	3301-001324	CORE-FERRITE BEAD;AB,150HM,2X1.25X0.9MM,	6SC33	2203-000260	C-CERAMIC,CHIP;10nf,10%,50V,X7R,TP,2012	
.....6EL07	3301-001324	CORE-FERRITE BEAD;AB,150HM,2X1.25X0.9MM,	6SC34	2402-000179	C-AL,SMD;47uf,20%,16V,GP,TP,6.6x6.6x5.4	
.....6EL08	2703-000398	INDUCTOR-SMD;10uH,10%,3.2x2.5x2.2mm	6SC35	2203-000260	C-CERAMIC,CHIP;10nf,10%,50V,X7R,TP,2012	
.....6EL09	2703-000398	INDUCTOR-SMD;10uH,10%,3.2x2.5x2.2mm	6SC36	2402-000179	C-AL,SMD;47uf,20%,16V,GP,TP,6.6x6.6x5.4	
.....6EL12	2703-000274	INDUCTOR-SMD;2.2uH,10%,1.25x2x0.85mm	6SC37	2203-000260	C-CERAMIC,CHIP;10nf,10%,50V,X7R,TP,2012	
.....6EL13	2703-000398	INDUCTOR-SMD;10uH,10%,3.2x2.5x2.2mm	6SC38	2402-000179	C-AL,SMD;47uf,20%,16V,GP,TP,6.6x6.6x5.4	
.....6EQ01	0501-000344	TR-SMALL SIGNAL;KSC1623-G,NPN,200mW,SOT-	6SC39	2203-000260	C-CERAMIC,CHIP;10nf,10%,50V,X7R,TP,2012	
.....6EQ02	0501-000344	TR-SMALL SIGNAL;KSC1623-G,NPN,200mW,SOT-	6SC40	2402-000179	C-AL,SMD;47uf,20%,16V,GP,TP,6.6x6.6x5.4	
.....6EQ03	0501-000344	TR-SMALL SIGNAL;KSC1623-G,NPN,200mW,SOT-	6SC41	2203-001002	C-CERAMIC,CHIP;0.047nf,5%,50V,NP0,TP,201	
.....6EQ04	0505-000110	FET-SILICON;2N7002,N,60V,115MA,7.50HM,0.	6SC42	2203-001002	C-CERAMIC,CHIP;0.047nf,5%,50V,NP0,TP,201	
.....6EQ05	0505-000110	FET-SILICON;2N7002,N,60V,115MA,7.50HM,0.	6SC43	2402-000179	C-AL,SMD;47uf,20%,16V,GP,TP,6.6x6.6x5.4	
.....6EQ06	0501-000344	TR-SMALL SIGNAL;KSC1623-G,NPN,200mW,SOT-	6SC44	2203-000181	C-CERAMIC,CHIP;100nf,+80-20%,25V,Y5V,TP,	
.....6ER01	2007-001166	R-CHIP;750HM,5%,1/10W,DA,TP,2012	6SC50	2203-000181	C-CERAMIC,CHIP;100nf,+80-20%,25V,Y5V,TP,	
.....6ER02	2007-001166	R-CHIP;750HM,5%,1/10W,DA,TP,2012	6SC51	2203-000495	C-CERAMIC,CHIP;2.2nf,10%,50V,X7R,TP,2012	
.....6ER03	2007-001166	R-CHIP;750HM,5%,1/10W,DA,TP,2012	6SC52	2203-000495	C-CERAMIC,CHIP;2.2nf,10%,50V,X7R,TP,2012	
.....6ER04	2007-001166	R-CHIP;750HM,5%,1/10W,DA,TP,2012	6SL01	2703-000398	INDUCTOR-SMD;10uH,10%,3.2x2.5x2.2mm	
.....6ER05	2007-001166	R-CHIP;750HM,5%,1/10W,DA,TP,2012	6SL02	2703-000398	INDUCTOR-SMD;10uH,10%,3.2x2.5x2.2mm	
.....6ER06	2007-000082	R-CHIP;3.3Kohm,5%,1/16W,DA,TP,1608	6SQ01	0501-000280	TR-SMALL SIGNAL;KSA1182,PNP,150mW,SOT-23	
.....6ER07	2007-000082	R-CHIP;3.3Kohm,5%,1/16W,DA,TP,1608	6SR01	2007-000074	R-CHIP;100ohm,5%,1/16W,DA,TP,1608	
.....6ER09	2007-000090	R-CHIP;10KOHM,5%,1/16W,DA,TP,1608	6SR02	2007-000074	R-CHIP;100ohm,5%,1/16W,DA,TP,1608	
.....6ER10	2007-000070	R-CHIP;0ohm,5%,1/16W,DA,TP,1608	6SR03	2007-000074	R-CHIP;100ohm,5%,1/16W,DA,TP,1608	
.....6ER12	2007-000077	R-CHIP;470ohm,5%,1/16W,DA,TP,1608	6SR04	2007-001166	R-CHIP;750HM,5%,1/10W,DA,TP,2012	
.....6ER13	2007-001167	R-CHIP;75ohm,5%,1/16W,DA,TP,1608	6SR05	2007-001166	R-CHIP;750HM,5%,1/10W,DA,TP,2012	
.....6ER14	2007-000070	R-CHIP;0ohm,5%,1/16W,DA,TP,1608	6SR06	2007-001166	R-CHIP;750HM,5%,1/10W,DA,TP,2012	
.....6ER15	2007-000077	R-CHIP;470ohm,5%,1/16W,DA,TP,1608	6SR07	2007-000074	R-CHIP;100ohm,5%,1/16W,DA,TP,1608	
.....6ER16	2007-001167	R-CHIP;75ohm,5%,1/16W,DA,TP,1608	6SR08	2007-000074	R-CHIP;100ohm,5%,1/16W,DA,TP,1608	
.....6ER17	2007-000070	R-CHIP;0ohm,5%,1/16W,DA,TP,1608	6SR09	2007-001166	R-CHIP;750HM,5%,1/10W,DA,TP,2012	
.....6ER18	2007-000077	R-CHIP;470ohm,5%,1/16W,DA,TP,1608	6SR10	2007-001166	R-CHIP;750HM,5%,1/10W,DA,TP,2012	
.....6ER19	2007-001167	R-CHIP;75ohm,5%,1/16W,DA,TP,1608	6SR11	2007-001166	R-CHIP;750HM,5%,1/10W,DA,TP,2012	
.....6ER20	2007-001166	R-CHIP;750HM,5%,1/10W,DA,TP,2012	6SR12	2007-000074	R-CHIP;100ohm,5%,1/16W,DA,TP,1608	
.....6ER21	2007-000290	R-CHIP;100OHM,5%,1/10W,DA,TP,2012	6SR13	2007-000074	R-CHIP;100ohm,5%,1/16W,DA,TP,1608	
.....6ER22	2007-000290	R-CHIP;100OHM,5%,1/10W,DA,TP,2012	6SR14	2007-000074	R-CHIP;100ohm,5%,1/16W,DA,TP,1608	

Loc. No.	Code No.	Description ; Specification	Remark
.....6SR15	2007-001166	R-CHIP;750HM,5%,1/10W,DA,TP,2012	
.....6SR16	2007-001166	R-CHIP;750HM,5%,1/10W,DA,TP,2012	
.....6SR17	2007-001166	R-CHIP;750HM,5%,1/10W,DA,TP,2012	
.....6SR20	2007-000074	R-CHIP;100ohm,5%,1/16W,DA,TP,1608	
.....6SR21	2007-000074	R-CHIP;100ohm,5%,1/16W,DA,TP,1608	
.....6SR22	2007-000074	R-CHIP;100ohm,5%,1/16W,DA,TP,1608	
.....6SR23	2007-000074	R-CHIP;100ohm,5%,1/16W,DA,TP,1608	
.....6SR24	2007-000074	R-CHIP;100ohm,5%,1/16W,DA,TP,1608	
.....6SR25	2007-000070	R-CHIP;0ohm,5%,1/16W,DA,TP,1608	
.....6SR26	2007-000052	R-CHIP;10Kohm,1%,1/16W,DA,TP,1608	
.....6SR27	2007-000080	R-CHIP;2Kohm,5%,1/16W,DA,TP,1608	
.....6SR28	2007-000077	R-CHIP;470ohm,5%,1/16W,DA,TP,1608	
.....6SR29	2007-000074	R-CHIP;100ohm,5%,1/16W,DA,TP,1608	
.....6SR30	2007-000258	R-CHIP;1.6KOHM,5%,1/10W,DA,TP,2012	
.....6SR31	2007-000931	R-CHIP;470OHM,5%,1/10W,DA,TP,2012	
.....6SR32	2007-000074	R-CHIP;100ohm,5%,1/16W,DA,TP,1608	
.....6TC01	2203-002494	C-CERAMIC,CHIP;470nF,10%,16V,X7R,TP,2012	
.....6TC02	2203-002494	C-CERAMIC,CHIP;470nF,10%,16V,X7R,TP,2012	
.....6TC03	2203-002494	C-CERAMIC,CHIP;470nF,10%,16V,X7R,TP,2012	
.....6TC04	2203-002494	C-CERAMIC,CHIP;470nF,10%,16V,X7R,TP,2012	
.....6TC05	2203-002494	C-CERAMIC,CHIP;470nF,10%,16V,X7R,TP,2012	
.....6TC06	2203-002494	C-CERAMIC,CHIP;470nF,10%,16V,X7R,TP,2012	
.....6TC07	2402-000179	C-AL,SMD;47uF,20%,16V,GP,TP6,6x6,6x5,4	
.....6TC08	2203-000181	C-CERAMIC,CHIP;100nF,+80-20%,25V,Y5V,TP,2703-000398	
.....6TL01	2703-000398	INDUCTOR-SMD;10uH,10%,3.2x2.5x2.2mm	
.....6TQ01	0501-000344	TR-SMALL SIGNAL;KSC1623-G,NPN,200mW,SOT-	
.....6TQ02	0501-000344	TR-SMALL SIGNAL;KSC1623-G,NPN,200mW,SOT-	
.....6TR01	2007-001166	R-CHIP;750HM,5%,1/10W,DA,TP,2012	
.....6TR02	2007-000074	R-CHIP;100ohm,5%,1/16W,DA,TP,1608	
.....6TR03	2007-001166	R-CHIP;750HM,5%,1/10W,DA,TP,2012	
.....6TR04	2007-000074	R-CHIP;100ohm,5%,1/16W,DA,TP,1608	
.....6TR05	2007-001166	R-CHIP;750HM,5%,1/10W,DA,TP,2012	
.....6TR06	2007-001166	R-CHIP;750HM,5%,1/10W,DA,TP,2012	
.....6TR07	2007-000078	R-CHIP;1Kohm,5%,1/16W,DA,TP,1608	
.....6TR08	2007-001167	R-CHIP;75ohm,5%,1/16W,DA,TP,1608	
.....6TR09	2007-000078	R-CHIP;1Kohm,5%,1/16W,DA,TP,1608	
.....6TR10	2007-001167	R-CHIP;75ohm,5%,1/16W,DA,TP,1608	
....4	0202-000187	SOLDER-WIRE FLUX,-,RS60S,D1,2,63Sn/37Pb	S.N.A
....4	0202-001167	SOLDER-CREAM;RX3603-2330HO,S45A,PASTE,SN	S.N.A
....3	AA65-30110A	CLAMP-WIRE;ALL MODEL,NYLON 66,V2,-,BLK,P	S.N.A
....3	AA65-30104C	CLAMP-WIRE;ALL MODEL,NYLON 66,V2,-,NTR,W	S.N.A
....3	AA65-30018A	CLAMP-WIRE;DONG-A,NYLON-66,-,-,DATL-60	S.N.A
....3	AA61-00707B	HOLDER-COVER;ALL MODEL,NYLON-66 T1.0 V2,	S.N.A
....3	AA39-20536G	LEAD CONNECTOR ASSY,-,1P,F,F,60MM,1617#22	
....2	AA61-01190A	HOLDER-CHASSIS;Z7,HIPS VO,G4309	S.N.A
....2	AA65-30105A	CLAMP-WIRE;ALL MODEL,NYLON 66,V2,-,NTR,1	S.N.A
....2	AA94-07792A	ASSY PCB MISC-DYNAMIC FOCUS;CT-29Z7HR,K5	
....3	LH01	AA26-90002C TRANS-DUMMY;-,-,-,-,-,-,-,-,-,-,EER2	
....3	LH02	AA27-40003L COIL-HORIZ.WIDTH;-,-,1.0mH,DR14x20,2UEW0.4	
....3	RH28	2008-001113 R-FUSIBLE(S);0.22ohm,10%,2W,AG,TP,3.9x12	
....3	WIRE3	AA39-20061C LEAD CONNECTOR-ASSY,-,3PYFH800-03,S,200,	
....3		0202-000187 SOLDER-WIRE FLUX,-,RS60S,D1,2,63Sn/37Pb	S.N.A
....3		AA97-07229L ASSY AUTO-DYNAMIC FOCUS;CT-29Z7HR,K55A	S.N.A
....4	EY01	AA60-40011A EYELET;ID2.0,OD2.8,-,-,BST,-	S.N.A
....4	EY02	AA60-40011A EYELET;ID2.0,OD2.8,-,-,BST,-	S.N.A
....4	EY03	AA60-40011A EYELET;ID2.0,OD2.8,-,-,BST,-	S.N.A
....4	EY04	AA60-40011A EYELET;ID2.0,OD2.8,-,-,BST,-	S.N.A
....4	EY05	AA60-40011A EYELET;ID2.0,OD2.8,-,-,BST,-	S.N.A
....4	EY06	AA60-40011A EYELET;ID2.0,OD2.8,-,-,BST,-	S.N.A
....4	EY07	AA60-40011A EYELET;ID2.0,OD2.8,-,-,BST,-	S.N.A
....4	EY08	AA60-40011A EYELET;ID2.0,OD2.8,-,-,BST,-	S.N.A
....4	EY09	AA60-40011A EYELET;ID2.0,OD2.8,-,-,BST,-	S.N.A
....4	GTH01	AA60-40014A PIN-GT,ASSY;1P,-,-,AUTO	S.N.A
....4	GTH02	AA60-40014A PIN-GT,ASSY;1P,-,-,AUTO	S.N.A
....4	GTH03	AA60-40014A PIN-GT,ASSY;1P,-,-,AUTO	S.N.A
....4	PCB	AA41-00152C PCB-DOUBLE FOCUS;CW29A6VN8X/XEF,FR-1,1L,	S.N.A
....2		AA94-07799A ASSY PCB MISC-TACT SWITCH;CT-29Z7HR,K55A	S.N.A
....3	CN01	AA39-20055C LEAD CONNECTOR-ASSY,-,6P,YBNH025-06,67096	
....3	LD02	0601-000262 LED;ROUND,RED,5mm,700nm	
....3	RM01	AA32-00012A MODULE REMOCON;ORC-50HF2,38KHZ,940NM,MES	
....3	SW01	3404-000176 SWITCH-TACT;12V,50mA,120gf,6x6mm,SPST	
....3		0202-000187 SOLDER-WIRE FLUX,-,RS60S,D1,2,63Sn/37Pb	S.N.A
....3		AA97-07229J ASSY AUTO-TACH SWITCH;CT-29Z7HR,K55A	S.N.A
....4	CC01	2401-002291 C-AL;47uF,20%,16V,GP,TP6.3x5,5	
....4	DC01	0401-000005 DIODE SWITCHING;1N4148,100V,200mA,DO-35,	
....4	DC02	0401-000005 DIODE SWITCHING;1N4148,100V,200mA,DO-35,	
....4	PCB	AA41-00622A PCB-TACT SWITCH(Z7);CT-29HM8,FR-1,1L,A,1	S.N.A

Loc. No.	Code No.	Description ; Specification	Remark
....4	RC05	2001-000020 R-CARBON(S);220HM,5%,1/2W,AA,TP,2.4X6.4M	
....4	RC07	2001-000281 R-CARBON;1000HM,5%,1/8W,AA,TP,1.8X3.2MM	

ASSY COVER FRONT

1	*	AA90-03202B ASSY COVER FRONT;TXM3298HF/XAA	
..2	C/F	AA65-00011C CLAMP-WIRE;ALL MODEL,NYLON 66,V2,-,NTR,2	S.N.A
..2	CA+CF	6003-001268 SCREW-TAPTITE;TH,+B,M4,0.L12.0,ZPC(YEL)	S.N.A
..2	CB+CF	AA60-10050T SCREW-TAPPING;- ,SWRCH18A,M4,L20,RH,+2S,	S.N.A
..2	CB+TBA	AA60-10050T SCREW-TAPPING;- ,SWRCH18A,M4,L20,RH,+2S,	S.N.A
..2	CC+CF	6003-001268 SCREW-TAPTITE;TH,+B,M4,0.L12.0,ZPC(YEL)	S.N.A
..2	CRT+CF	AA60-10050V SCREW-ASSY;- ,SWRCH18A,M6,L30,HH,+WC,-,Z	S.N.A
..2	CV+CB	AA60-10050T SCREW-TAPPING;- ,SWRCH18A,M4,L20,RH,+2S,	S.N.A
..2	CV+CB+	AA60-10050T SCREW-TAPPING;- ,SWRCH18A,M4,L20,RH,+2S,	S.N.A
..2	D-COIL	AA65-30113A CLAMP-D,COIL;- ,NYLON 66,V2,-,BLK,TVI 25-	S.N.A
..2	D-COIL	AA65-30017A CLAMP-D,COIL;- ,NYLON-66,VO,-,NTR,DADH300	S.N.A
..2	PP+CF	6003-001268 SCREW-TAPTITE;TH,+B,M4,0.L12.0,ZPC(YEL)	S.N.A
..2	TBA+RJ	AA60-10050T SCREW-TAPPING;- ,SWRCH18A,M4,L20,RH,+2S,	S.N.A
..2	WOO+CB	6006-001095 SCREW-ASS'Y TAPT;WP,BH,+M4,L12,ZPC(YEL)	S.N.A
..2		AA91-03960A ASSY HOLDER SPK;- ,80HM/25W,-,WOOFER SP	
..2		AA96-00916B ASSY COVER P-CAINENT FRONT;34Z7,TXM3298HF	
..3	GS+CF	6003-001019 SCREW-TAPTITE;RH,+B,M4,L12,ZPC(BLK),SWR	S.N.A
..3	KN0POW	AA61-60003J SPRING-CS;- ,SUS304,-,-,OD6,N7,OD6,-,-,-	S.N.A
..3	LED+GS	6003-001019 SCREW-TAPTITE;RH,+B,M4,L12,ZPC(BLK),SWR	S.N.A
..3	SPK+CF	6006-001095 SCREW-ASS'Y TAPT;WP,BH,+M4,L12,ZPC(YEL)	S.N.A
..3		AA64-02665A WINDOW-RMC;Z7,PC,VIOLET	
..3		AA64-02666A INDICATOR LED;Z7,ACRYL,CLR	
..3		AA64-70124C BADGE-BRAND;- ,AL,-,L=70,SAMSUNG,SILVER	S.N.A
..3		AA65-00011C CLAMP-WIRE;ALL MODEL,NYLON 66,V2,-,NTR,2	S.N.A
..3		AA91-03959A ASSY HOLDER SPK;- ,80HM/10W,-,FRONT SPE	
..3		AA65-30105A CLAMP-WIRE;ALL MODEL,NYLON 66,V2,-,NTR,1	S.N.A
..3		AA64-02654B CABINET-FRONT;TXM3298,HIPS,VO,W91499,SVO	
..3		AA64-02657B GRILLE-SPEAKER;3Z27,HIPS,VO,G4309,DG-703	
..3		AA64-02663A KNOB-POWER;Z7,PC,VIOLET	
..3		AA64-02664A DECORATION-POWER;Z7,ABS,HB,NTR	
..2		AA73-00005B RUBBER-CAP;FLAT,PRJ,SILICONE RUBBER,WHIT	
..2		AA61-01108A SUPPORT-CRT;Z7,HIPS	S.N.A
..2		AA60-00055A SPACER-GUM,CRT;ALL MODEL,NTR RUBBER,-,-,	S.N.A

ASSY COVER REAR

1	*	AA90-03205B ASSY COVER REAR;TXM3298HF/XAA	
..2		AA65-30008A CLAMP-CORD;- ,PE,HB,-,BLK,-	S.N.A
..2		AA64-60421C INLAY-COVER;- ,PS,TO,3,-,-,BLK,SEA	S.N.A
..2		AA64-02655B CABINET BACK;34Z7,HIPS,VO,G4309,SVO12P	
..2		AA63-00567A COVER-BACK,R;34Z7,ABS,HB,G4309,DGM2188	S.N.A
..2		AA63-00566A COVER-BACK,L;34Z7,ABS,HB,G4309,DGM2188	S.N.A
..2		AA60-00091J SPACER-FELT;- ,FELT,330X10,-,-,BLK,TO,5,-	S.N.A

ASSY CPT

1	*	AA91-03995U ASSY CPT;A80QE891X,34,+380MG,ITC	
△..2		AA03-00357A CRT COLOR;A80QE891X002,+380MG,0.35MH,9.	
..2		AA98-70011F ASSY TBC WIRE(P);-,34inch,NTSC,2P-WH,KS4	S.N.A
..2		AA27-00275A COIL DEGAUSSING;SDI 34,14MH,10%,60TS,1	
..2		AA27-00284A COIL DEGAUSSING;- ,CPTTV,48MH,10%,270TS,-,	

ASSY LABEL

1	*	AA92-06243G ASSY LABEL;TXM3298HF/XAA,K55A	
---	---	---	--

ASSY P/MATERIAL

1	*	AA92-05219B ASSY P/MATERIAL;TXM3298HF/XAA	
---	---	---	--

Electrical Parts List

Loc. No.	Code No.	Description ; Specification	Remark	Loc. No.	Code No.	Description ; Specification	Remark
.2	AA60-40006A	PIN-STAPLE;-,-,H18,33X17.8X2.4,-,AUTO	S.N.A				

ASSY BOX

1	*	AA92-05216B	ASSY BOX;TXM3298HFX/XAA
---	---	-------------	-------------------------

ASSY ACCESSORY

1	*	AA92-05394E	ASSY ACCESSORY;TXM2768HFX/XAA
---	---	-------------	-------------------------------

.2	AA68-02395A	MANUAL USERS;ENG,SEA,K55A,W/P100G B5
.2	AA59-00254A	REMOCON;TM63,HERCULES,51,G6671B,S/S,E/X

6-2 Dissimilar Parts List by Inch

NO	PART	L/C	TXM27** (SDI CRT)		TXM30** (LG CRT)		TXM32** (TSB CRT)		REMARK
			CODE	SPEC	CODE	SPEC	CODE	SPEC	
1		C405	-	-	2201-000259	C-C 500V 0.18nF	-	-	
2		C409	2301-001385	C-F 630V 30nF	2301-001385	C-F 630V 30nF	2303-001001	C-F 630V 22nF	
3		C412	2301-000254	C-F 50V 39nF	2301-000383	C-F 50V 10nF	2301-000310	C-F 50V 68nF	
4		C415	2301-000203	C-F 100V 2.7nF	2301-000203	C-F 100V 2.7nF	2301-000232	C-F 50V 3.3nF	
5		C423	2301-001192	C-F 400V 820nF	2301-001192	C-F 400V 820nF	2301-001193	C-F 400V 1uF	
6		C426	2306-000195	C-F 400V 360nF	2306-000204	430nF, 5%, 400V	2306-000166	C-F 400V 220nF	
7		C425	2301-001259	C-F 400V 100nF	2301-001067	C-F 400V 82nF	2301-001249	C-F 400V 68nF	
8		C414	2401-002597	C-AL 35V 220UF	2401-000039	C-AL 16V 1000UF	2401-002597	C-AL 35V 220UF	
9		D406	0402-000132	1N4004	0404-001056	RK16	0404-001056	RK16	
10		D408	0402-000534	RG10V	-	-	0402-000534	RG10V	
11		DZ402	0401-000005	1N4148	-	-	0401-000005	1N4148	
12		J422	3812-000219	JUMPER	3812-000219	JUMPER	-	-	
13		J423	-	-	-	-	-	-	
14		J403	-	-	-	-	3812-000219	JUMPER	
15		J417	-	-	-	-	-	-	
16		J401	-	-	3812-000219	JUMPER	-	-	
17		L401	-	-	2001-001037	0.39ohm, 5%, 1/2W	-	-	
18		L404	3301-000287	F-B AA	3812-000219	JUMPER	3301-000287	F-B AA	
19		L409	2901-000297	F-B 3A	3812-000219	JUMPER	2901-000297	F-B 3A	
20	MAIN	CR405S	-	-	-	-	-	-	
21		CR406S	2301-001343	C-F 2K 3.9nF	2301-001343	C-F 2K 3.9nF	2301-001583	C-C 2K 3NF	
22		LR402S	AA27-10004F	COIL-CHOKE 56UH	AA27-10004F	COIL-CHOKE 56UH	AA27-00175A	COIL-H 82UH	
23		LR403S	AA27-00070A	COIL-L 7uH	AA27-00022A	COIL-L 7.5uH	AA27-00251A	COIL-L 10uH	
24		LR404S	AA27-40001S	COIL-H 110uH	AA27-40003P	COIL-H 120uH	AA27-40003P	COIL-H 120uH	
25		Q903	-	-	3711-004386	C-HEADER 3P	-	-	
26		R304	2008-001088	R-F 2W 1ohm AG	2008-001114	R-F 2W 1.5ohm AG	2008-001108	R-F 2W 1.2ohm	
27		R305	-	-	-	-	-	-	
28		R306	2003-002157	R-M 220ohm 2W	2003-002205	R-M 330ohm 2W	2003-002205	R-M 330ohm 2W	
29		R307	2008-001088	R-F 2W 1ohm AG	2008-001114	R-F 2W 1.5ohm AG	2008-001114	R-F 2W 1.5ohm	
30	R403	2003-002064	R-M 2W 7.5ohm	2003-000713	R-M 2W 47ohm	2003-000532	R-M 2W 18ohm		
31	R405	2008-001011	R-F 2W 0.18ohm	2008-001018	R-F 2W 0.47ohm	2008-001018	R-F 2W 0.47ohm		
32	R415	2004-001983	R-M 1/2W 2.49K	2004-001379	R-M 1/2W 12K	2004-001983	R-M 1/2W 2.49K		
33	R418	2001-001114	R-C 1/2W 270ohm	2001-001107	R-C 1/2W 220ohm	2001-001114	R-C 1/2W 270ohm		
34	R420	2004-001987	R-M 1/2W 4.3K	2004-004029	R-M 1/2W 10K	2004-001987	R-M 1/2W 4.3K		
35	R422	2008-000251	R-F 2W 0.27ohm	2008-001011	R-F 2W 0.18ohm	2008-001149	0.22ohm, 5%, 2W		
36	R423	2001-001055	R-C 1/2W 1.8K	2004-001983	R-M 1/2W 2.49K	2001-001093	R-C 1/2W 2.2K		
37	R432	2001-001164	R-C 1/2W 56K	2001-001164	R-C 1/2W 56K	2001-001179	R-C 1/2W 68K		
38	R434	2003-002064	R-M 2W 7.5ohm	2901-000297	F/B 3A	2901-000297	F/B 3A		
39	R435	2003-001042	R-M 2W 5.6K	2003-001042	R-M 2W 5.6K	2003-000784	R-M 2W 7.5K		
40	R440	2004-001893	R-M 1/2W 22K	2001-001112	R-C 1/2W 24K	2004-002019	R-M 1/2W 33K		
41	R821	2004-001891	R-M 1/2W 133K	2004-002015	R-M 1/2W 140K	2004-002015	R-M 1/2W 140K		
42	T444S	AA26-00170A	FUJ-29H002F	AA26-00180A	FUJ-34H002F	AA26-00173A	FUJ34H001F		
43	VM3P	-	-	-	-	AA39-10015B	3(2)P		
1	CRT	C501	2201-000193	50V 0.01NF	-	-	2201-000247	50V 0.015NF	
2		C502	-	-	-	-	2201-002031	50V 0.005PF	
3		C503	-	-	-	-	2201-000662	50V 0.007NF	
4		C510	2201-000291	500V 1NF	-	-	-	-	
5		C523	2301-001192	400V 820NF	-	-	-	-	
6		C539	2202-000121	50V 100PF	-	-	2202-000632	50V 100NF	
7		J506	3812-000219	JUMPER	-	-	-	-	
8		J507	-	-	-	-	-	-	
9		J509	-	-	-	-	-	-	
10		J513	-	-	3812-000219	JUMPER	-	-	
11		R503	2001-001088	R-C 1/2W 1K	-	-	-	-	
12		R516	2001-001153	R-C 1/2W 47ohm	-	-	-	-	
13		R519	-	-	-	-	2001-000786	R-C 1/8W 47K	
14		R520	2001-000563	R-C 1/8W 27K	-	-	2001-001015	R-C 1/8W 9.1K	
15		R521	-	-	-	-	3812-000219	JUMPER	
16		R524	-	-	-	-	2002-001012	R-C-P 1/2W 8.2M	
17		R529	2008-000204	R-F 1/2W 0.22ohm	-	-	2008-000264	R-F 1W 1ohm	
18		R531	2001-000009	R-C 1/8W 20K	-	-	2001-000539	R-C 1/8W 24K	
19		V999S	3704-001032	SOCKET 8P	-	-	3704-000114	SOCKET 14P	

6-3 Dissimilar Assy List by Model

ASS'Y		KOREAN						USA			
		Z7 CABINET			Z6 CABINET			M9 CABINET			
		CT-29Z7HR	WT-32Z7HR	CT-34Z7HR	CT-29Z6HR	WT-32Z6HR	CT-34Z6HR	TXM3297HFX/XAA	TXM2796HFX/XAA	TXM2797HFX/XAA	TXM3097WHFXXAA
MAIN	Manual injection	AA94-07670A	AA94-08282J	AA94-08282H	AA94-08533C	AA94-08533E	AA94-08533B	AA94-07669A	AA94-08282Y	←	AA94-08282X
	AUTO	AA97-07229N	AA97-07230Q	AA97-07230P	AA97-07506R	AA97-07608C	AA97-07506S	AA97-07229B	AA97-07506T	←	AA97-07506J
	ROBOT	AA97-07232L	AA97-07232N	AA97-07232M	AA97-07560D	AA97-07560H	AA97-07560E	AA97-07232K	AA97-07560F	←	AA97-07560A
CRT	Manual injection	AA94-08273G	AA94-07791A	AA94-07790A	AA94-08273G	AA94-07791A	AA94-07790A	AA94-07790A	AA94-08273G	←	AA94-07791A
	AUTO	AA97-07230R	AA97-07229M	AA97-07230D	AA97-07230R	AA97-07229M	AA97-07230D	AA97-00230D	AA97-07230R	←	AA97-07229M
	PCB	AA41-00578A	AA41-00639B	AA41-00578B	AA41-00578A	AA41-00639B	AA41-00578B	AA41-00578B	AA41-00578A	←	AA41-00639A
FOCUS	Manual injection	AA94-07792A	←	←	←	←	←	←	←	←	←
	AUTO	AA97-07229L	←	←	←	←	←	←	←	←	←
CONTROL	Manual injection	AA94-07795A	←	AA94-08492A	AA94-08273W	AA94-08584E	AA94-08273U	AA94-07794A	←	←	←
	AUTO	AA97-07229G	←	←	←	←	←	AA97-07229D	←	←	←
	PCB	AA41-00618A	←	←	←	←	←	AA41-10856A	←	←	←
A/V SIDE	Manual injection	AA94-07796A	AA94-08584F	AA94-08493A	AA94-08273V	AA94-08584A	AA94-08273T	AA94-07797A	←	←	←
	AUTO	AA97-07229H	←	←	←	←	←	AA97-07229E	←	←	←
	PCB	AA41-00620A	←	←	←	←	←	AA41-00594A	←	←	←
WOOFER	Manual injection	AA94-07798A	←	←	Not applied						
	AUTO	AA97-07229F	←	←	Not applied						
TACT SWITCH	Manual injection	AA94-07799A	←	←	AA94-08273S	←	←	Not applied			
	AUTO	AA97-07229J	←	←	AA97-07506L	←	←	Not applied			
	PCB	AA41-00622A	←	←	AA41-00640A	←	←	Not applied			
T-BOARD	Manual injection	AA96-00908A	←	←	AA96-00908B	←	←	Not applied			
F-BOX	Manual injection	AA95-02001H	←	←	←	←	←	AA95-02001J	←	←	←
	SMD	AA97-07232N	←	←	←	←	←	AA97-07506H	←	←	←
	AUTO	AA97-07506M	←	←	←	←	←	AA97-07506N	←	←	←
POWER CODE		AA96-20107C	AA96-20107A	←	AA96-20107C	AA96-20107A	←	AA96-20129A	AA96-20129A	←	←
CPT CRT	ASS'Y	AA91-03134A	AA91-03309A	AA91-03394A	AA91-03134A	AA91-03309A	AA91-03394A	AA91-03394A	AA91-02623A	←	AA91-03309A
	CRT	AA03-00076A	AA03-00232A	AA03-00232A	AA03-00076A	AA03-00243A	AA03-00232A	AA03-00232A	AA03-00076A	←	AA03-00243A
	D-COIL	AA27-00128A	AA27-00019A	AA27-00060A	AA27-00128A	AA27-00019A	AA27-00060A	AA27-00060A	AA27-20002Q	←	AA27-00019A
	TBC-WIRE	AA98-70011D	AA98-70011G	AA98-70011F	AA98-70011D	AA98-70011G	AA98-70011F	AA98-70011F	AA98-70011D	←	AA98-70011G
ACCESSORY	ASS'Y	AA92-04062A	←	←	←	←	←	AA92-04061A	←	←	←
	IB	AA68-02394A	←	←	←	←	←	AA68-02395A	←	←	←
	REMOCON	AA59-00253B	←	←	←	←	←	AA59-00251A	←	←	←
WOOFER SPK		AA91-03960A	←	←	Not applied						
FRONT SPK		AA91-03959A	←	←	AA91-00507A	←	←	←	←	←	←

ASS'Y		USA			KOREAN			SDI CRT Launching Models	
		Z7 CABINET			Z4 CABINET			M9 CABINET	Z7 CABINET
		TXM2798HFX/XAA	TXM3098WHFXXAA	TXM3298HFX/XAA	CT-29Z4HRH	WT-32Z4HRH	CT-34Z4HRH	SF-TXM3297HFX/XAA	WT-32Z7HRX/SPL
MAIN	Manual injection	AA94-08282Z	AA94-08533X	AA94-08533Y	AA94-11784A	AA94-11786A	AA94-11785A	AA94-08533S	AA94-08533W
	AUTO	AA97-07506K	AA97-12699G	AA97-12699H	AA97-12699J	AA97-12699L	AA97-12699K	AA97-12699A	AA97-12699F
	ROBOT	AA97-07560B	AA97-12698E	AA97-12698F	AA97-12698G	AA97-12698J	AA97-12698H	AA97-12698A	AA97-12698D
CRT	Manual injection	AA94-08273G	AA94-07791A	AA94-11752A	AA94-08273G	AA94-07791A	AA94-07790A	AA94-11752A	AA94-07791A
	AUTO	AA97-07230R	AA97-07229M	AA97-12699B	AA97-07230R	AA97-07229M	AA97-07230D	AA97-12699B	AA97-07229M
	PCB	AA41-00578B	AA41-00639C	AA41-00578B	AA41-00578B	AA41-00639C	AA41-00578B	AA41-00578B	AA41-00578B
FOCUS	Manual injection	AA94-07792A	←	←	←	←	←	←	←
	AUTO	AA97-07229L	←	←	←	←	←	←	←
CONTROL	Manual injection	AA94-08584J	←	AA94-08584R	AA94-08584T	←	←	AA94-07794A	AA94-07795A
	AUTO	AA97-07229G	←	←	AA97-07506Y	←	←	AA97-07229D	AA97-07229G
	PCB	AA41-00618A	←	←	AA41-00619A	←	←	AA41-10856A	AA41-00618A
A/V SIDE	Manual injection	AA94-11566A	←	AA94-08584N	AA94-08584S	←	←	AA94-07797A	AA94-08584F
	AUTO	AA97-07229H	←	←	AA97-07506V	←	←	AA97-07229E	AA97-07229H
	PCB	AA41-00620A	←	←	AA41-00616A	←	←	AA41-00594A	AA41-00620A
WOOFER	Manual injection	AA94-11567A	←	←	Not applied		AA94-07798A	Not applied	
	AUTO	AA97-07229F	←	←	Not applied		AA97-07229F	Not applied	
TACT SWITCH	Manual injection	AA94-07799A	←	←	AA94-08273R	←	←	Not applied	
	AUTO	AA97-07229J	←	←	AA97-07506W	←	←	Not applied	
	PCB	AA41-00622A	←	←	AA41-00615A	←	←	Not applied	
T-BOARD	Manual injection	AA96-00908F	←	←	AA96-00908B	AA96-00908A	←	Not applied	
F-BOX	Manual injection	AA95-02001H	←	←	←	←	←	AA95-02001J	AA95-02001H
	SMD	AA97-07232N	←	←	←	←	←	AA97-07506H	AA97-07232N
	AUTO	AA97-07506M	←	←	←	←	←	AA97-07506N	AA97-07506M
POWER CODE		AA96-20129A	AA96-20129B	←	AA96-20107A	AA96-20107A	AA96-20107A	AA96-20129B	AA96-20107A
CPT CRT	ASS'Y	AA91-02623A	AA91-03995W	AA91-03995U	AA91-03134A	AA91-03309A	AA91-03394A	AA91-03995U	AA91-03995W
	CRT	AA03-00076A	AA03-00339A	AA03-00357A	AA03-00076A	AA03-00243A	AA03-00232A	AA03-00357A	AA03-00339A
	D-COIL	AA27-20002Q	AA27-00019A	AA27-00060A	AA27-00128A	AA27-00019A	AA27-00060A	AA27-00275A	AA27-00216A
	TBC-WIRE	AA98-70011D	AA98-70011G	AA98-70011F	AA98-70011D	AA98-70011G	AA98-70011F	AA98-70011F	AA98-70011G
ACCESSORY	ASS'Y	AA92-05394E	AA92-05394E	←	AA92-05394V	←	←	AA92-04061A	AA92-05394N
	IB	AA68-02395A	AA68-02395A	←	AA68-02394A	←	←	AA68-02395A	AA68-02394A
	REMOCON	AA59-00254A	AA59-00254A	←	AA59-00264A	←	←	AA59-00251A	AA59-00253B
K55A WOOFER SPK		AA91-03960A	←	Not applied			Not applied		
K55A FRONT SPK		AA91-03959A	←	Not applied			AA91-00507A	AA91-03959A	
K54A COVER FRONT SPK		Not applied			Not applied	AA91-00487A	Not applied	Not applied	
K54A CABINET FRONT SPK		Not applied			AA91-00486A	←	←	Not applied	

6-4 Dissimilar Parts List of SDI TSB CRT

PART	L/C	KOREA (CT-29Z7HR)		USA (TXM2797HFX/XAA)		REMARK
		CODE	SPEC	CODE	SPEC	
MAIN	R807	2001-001103	1/2W 20K	Delete		Power Difference
	RX801S	2002-001011	3.3M			
	CY802S	2201-000446	400V 3.3NF			
	CY801S	Delete				
	RP802S	Delete		2002-001010	1.8M	SPEC
	C803	2401-003031	450V 470UF	2401-001676	250V 820UF	
	FR01S	Delete		2008-000264	RF 1W 1(AF)	X-RAY
	FR02S			2001-001149	RC 1/2W 43K	
	FR03S			2004-001897	RM 1/2W 43.2K-F	
	FR04S			2001-000908	RC 1/8W 62K	
	FR05S			2001-001103	RC 1/2W 20K	
	FR06S			2001-000977	RC 1/8W 8.2K	
	FR07S			2004-004029	RM 1/2W 10K-F	
	FR08S			2001-000429	RC 1/8W 1K	
	FR09S			2001-000780	RC 1/8W 470	
	FR10S			2001-000290	RC 1/8W 10K	
	DR01S			0402-000534	RG10V	
	DR02S			3812-000219	JUMPER	
	DZR01S			0403-001321	MTZJ6.8C	
	CR01S			2201-000556	500V 471	
	CR02S			2401-000480	10uF, 20%, 50V	
	CR03S			2401-002235	16V 10UF	
	CR04S			2305-000412	63V 474	
	QR01S			0501-000283	KSA539-Y	
	QR02S			0501-000389	KSC815-Y	
	IC601			1204-001970	MSP3421G-P0-B8	
	CPT CRT	-	AA91-03134A	KOREAN 29"	AA91-03394A	USA 29"

6-5 Dissimilar Parts List of 32" SDI, TSB, CRT

PART	L/C	TSB CRT		SDI CRT		REMARK
		CODE	SPEC	CODE	SPEC	
MAIN	C426	2306-000166	C-FILM, 220nF, 400V	2306-000350	C-FILM, 274, 400V	CS Capacitor
	LR402S	AA27-00175A	COIL HORIZ, 82UH	AA27-10004F	COIL-CHOKE, 56uH	Double Correction Change
	LR403S	AA27-00251A	10UH	AA27-30003F	7.6uH	Improvement of image change (W/COIL)
	C409	2303-001001	22nF, 5%, 630V, TP	2301-001268	33nF, 5%, 630V, TP	
	C419	DELETE		2301-000192	1nF, 5%, 50V, TP	
	C425	2301-001249	C-FILM, 68nF, 400V	2301-001067	C-FILM, 823, 250V	CS Capacitor
	C423	2301-001193	C-FILM, 1uF, 400V	2301-001192	C-FILM, 824, 400V	
	J417	3812-000219	JUMPER	DELETE		E/W Correction
	J403	3812-000219	JUMPER			
	J422	DELETE		3812-000219	JUMPER	
	J423	DELETE		3812-000219	JUMPER	
	R440	2004-002019	R-M, 33Kohm, 1/2W	2004-005052	R-C 1/2W 24K-F	ABL Current (1.8mA)
	T444S	AA26-00173A	FUJ34H001F(S)	AA26-00180A	FUJ-34H002F	32" FBT
	C415	2301-000232	C-FILM, 3.3nF, 50V	2301-000234	C-FILM, 3.9nF, 100V	E/W Margin
	R415	2004-001983	2.49Kohm, 1%, 1/2W	2004-005051	R-C, 1/2W 2.2K-F	
	R420	2004-001987	4.3Kohm, 1%, 1/2W	2004-001406	8.2Kohm, 1%, 1/2W	
	R418	2001-001114	270OHM, 1/2W	2001-001107	R-C 1/2W 220	
	DZ402	0401-000005	1N4148	DELETE		
	L409	2901-000297	EMI ON BOARD	3812-000219	JUMPER	Improvement of Ringing
	R415	2004-001983	R-M, 2.49Kohm, 1/2	2004-001394	R-M, 1/2W 2K-F	E/W Margin
	FR03S	2004-001897	R-M 43.2Kohm	신규자재	R-C 1/2W 39K-F	Difference in Specification
	R423	2001-001093	R-C, 1/2W 2.2K	2004-005051	R-C, 1/2W 2.2K-F	Improvement of image change (W/COIL)
	PT801S	1404-001026	THERMISTOR, 7ohm	1404-001276	THERMISTOR, 1.5ohm	DEGAUSSING
	R529	2008-000264	R-F, 1ohm, 1W	2008-001129	R-F, 1.5ohm, 1/2W	HEATER
	LF11	2901-000297	FILTER-EMI ON BOARD	2702-001092	2.2uH	
	V999S	3704-000114	SOCKET-CRT, 14P	3704-001032	SOCKET-CRT, 8P	DUBLE FOCUS
	J507	DELETE		3812-000219	JUMPER	
	R524	2002-001012	COMPOSITION, 8.2Mohm, 1/2W	DELETE		CRT Difference
	C523	DELETE		2301-001192	C-FILM, 820nF, 400V	EHT Correction
	J509	3812-000219	JUMPER	DELETE		
	J513	3812-000219	JUMPER	DELETE		
	C510	DELETE		2201-000291	500V 1NF	
	R506	2001-001194	R-C 82KOHM, 5%, 1/2W	2001-001198	R-C 91KOHM, 5%, 1/2W	Shortage of AMP Gain
R510						
R511						
R516	DELETE		2001-001153	R-C 1/2W 47ohm		
J506	DELETE		3812-000219	JUMPER	EHT Correction	
R503	DELETE		2001-001088	R-C 1/2W 1K		
CPT CRT	단품 CRT	AA03-00232A	TSB CRT 34"	AA03-00357A	SDI CRT 34"	Use of SDI, CRT
	D-COIL	AA27-00060A	D-Coil for 34" TSB	AA27-00275A	D-Coil for 34" TSB	

6-6 Dissimilar Parts List of 30" SDI, TSB, CRT

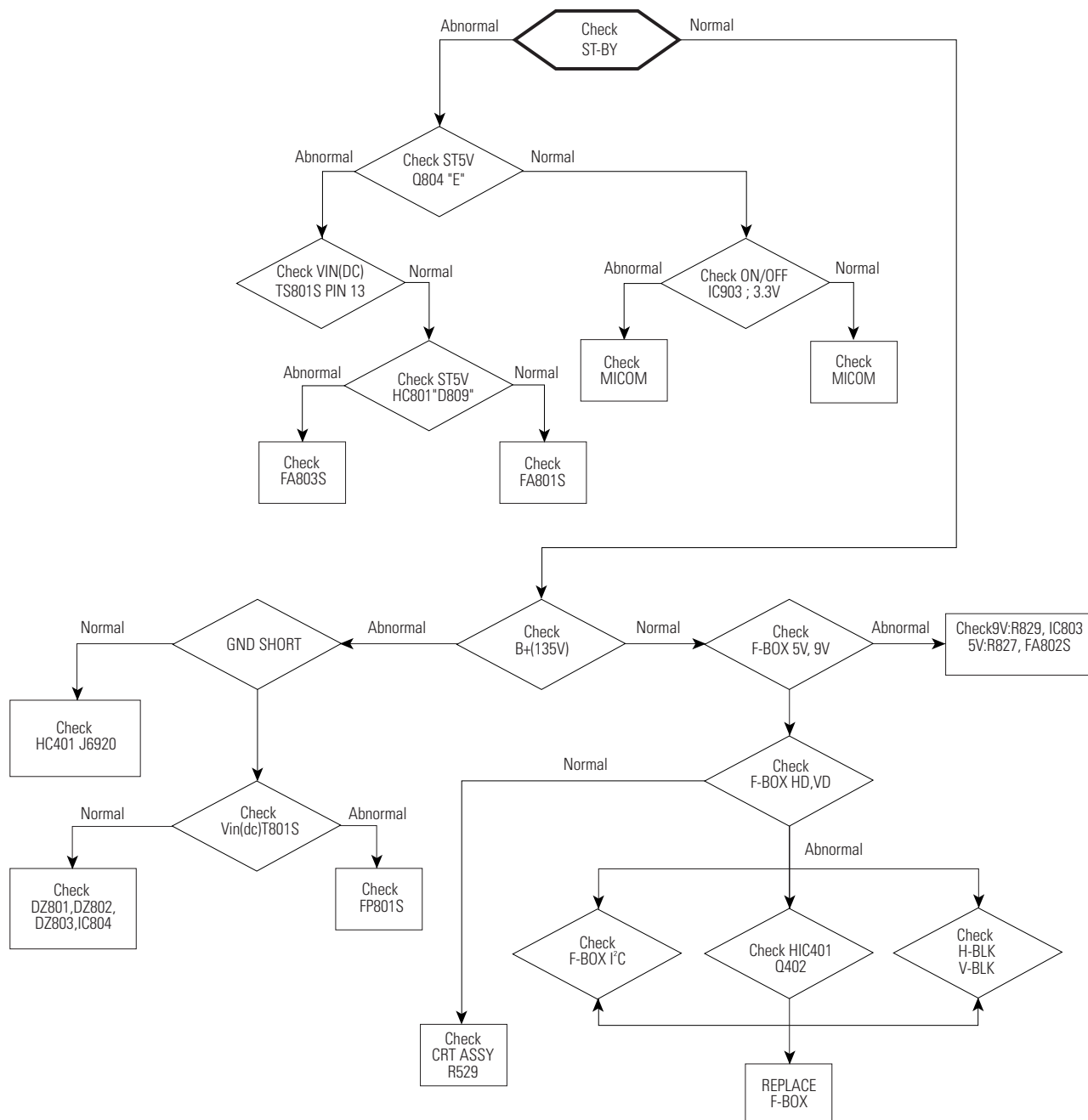
PART	L/C	TSB CRT		SDI CRT		REMARK
		CODE	SPEC	CODE	SPEC	
M A I N	R304	2008-001114	R-C 1.5ohm,5%,2W,AG,TP	2003-002279	R-C 1.2OHM,5%,2W,AG,TP	VERTICAL SIZE
	R307					
	R415	2004-001379	R-M 12Kohm,1%,1/2W,AA	2004-001406	R-M 8.2Kohm,1%,1/2W,AA	EW Adjustment Magin
	R420	2004-004029	R-M 10Kohm,1%,1/2W,AA	2004-001983	R-M 2.49Kohm,1%,1/2W,AA	
CPT CRT	CRT	AA03-00243A	LG CRT	AA03-00339A	SDI CRT	
	D-COIL	AA27-00019A	LG CRT D-COIL	AA27-00216A	SDI CRT D-COIL	

6-7 PCB

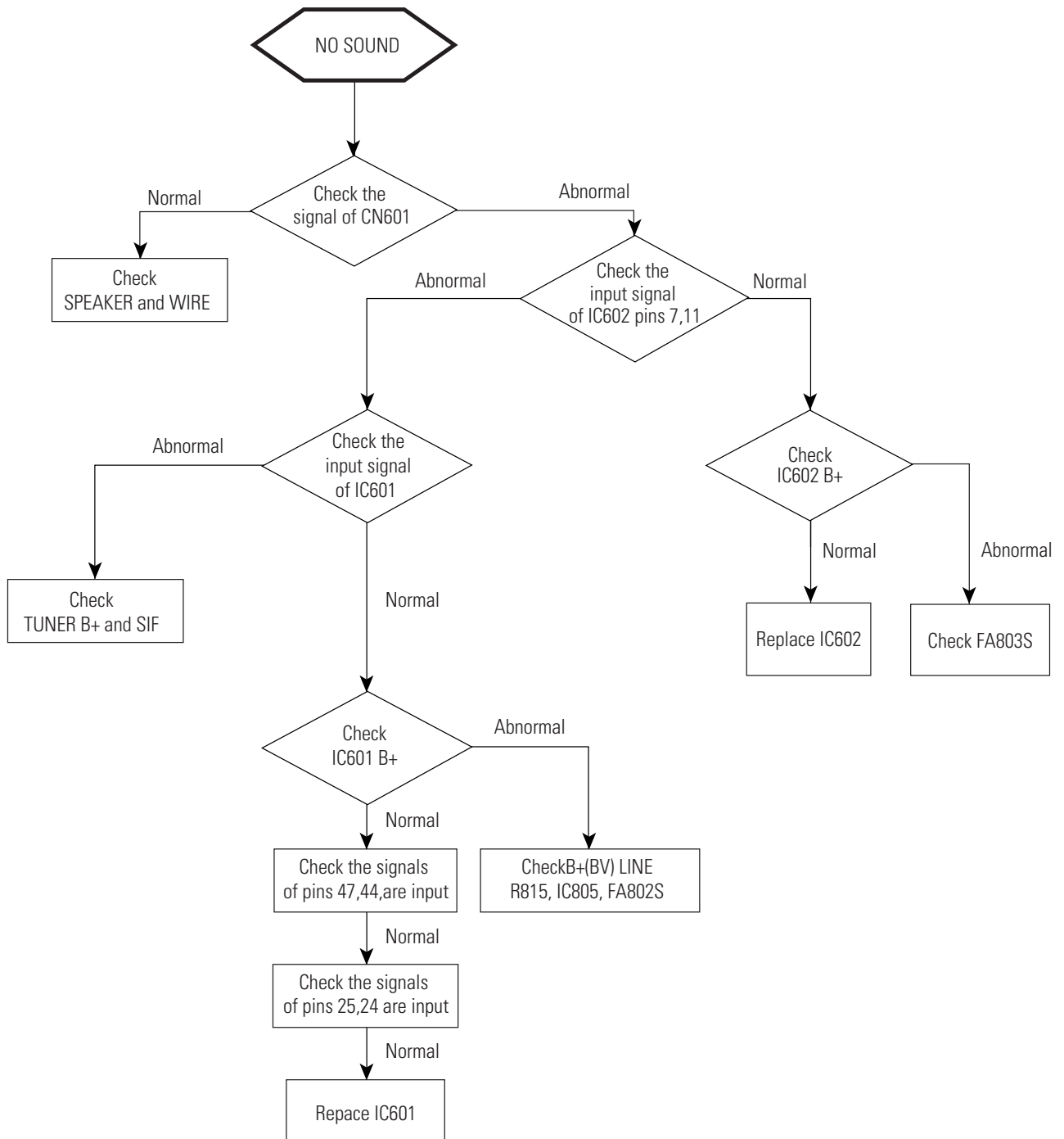
PCB	PCB CODE	CABINET SERISE	Size of Single Alignment	Size of Serial Alignment	Request Code of a Single File	Request Code of a Serial File
MAIN	AA41-00667A	ALL CABINET	245X245X1.6T	245X245X1 EA	DP010926-0005	DP010926-0005
CRT	AA41-00639C	32" CABINT	154X195X1.6T	245X330X2 EA	DP011220-0016	DP020109-0003
CRT	AA41-00578B	29",34" CABINT	155x122x1.6T	245x330x4 EA	DP011027-0006	DP011010-0011
CONTROL	AA41-00619A	Z4 CABINT	46.5x90x1.6T	245x245x8 EA	DP020207-0007	DP020207-0008
CONTROL	AA41-00618A	Z7 CABINT	134.5x25x1.6T	245x330x12 EA	DP011206-0012	DP011208-0018
CONTROL	AA41-10856B	M9 CABINT	170.5x44.5x1.6T	245x245x5 EA	DP011030-0002	DP011101-0003
A/V SIDE	AA41-00616A	Z4 CABINT	115x41x1.6T	245x245x8 EA	DP011207-0017	DP011210-0017
A/V SIDE	AA41-00620A	Z7 CABINT	135x39x1.6T	245x330x8 EA	DP011206-0020	DP011207-0037
A/V SIDE	AA41-00594A	M9 CABINT	86x42x1.6T	245x245x8 EA	DP011101-0004	DP011106-0019
TACT SWITCH	AA41-00615A	Z4 CABINT	50x41x1.6T	245x245x12 EA	DP011203-0032	DP011204-0010
TACT SWITCH	AA41-00622A	Z7 CABINT	59x78x1.6T	245x245x6 EA	DP011206-0019	DP011208-0013
TACT SWITCH	AA41-00640A	Z6 CABINT	63x70x1.6T	245x245x9 EA	DP020109-0010	DP020109-0009
WOOFER	AA41-00588A	Z4,Z6,Z7 CABINT	74.5x101x1.6T	245x330x8 EA	DP011016-0015	DP011016-0016
WOOFER JACK	AA41-00641A	Z4,Z6,Z7 CABINT	50x23x1.6T	245x245x24 EA	DP020107-0004	DP020107-0005
F-BOX	AA41-00636B	ALL CABINET	200X122X1.6T	245X245X2 EA	-	-
FOCUS	AA41-00152C	ALL CABINET	-	245X330	-	-

7. Troubleshooting

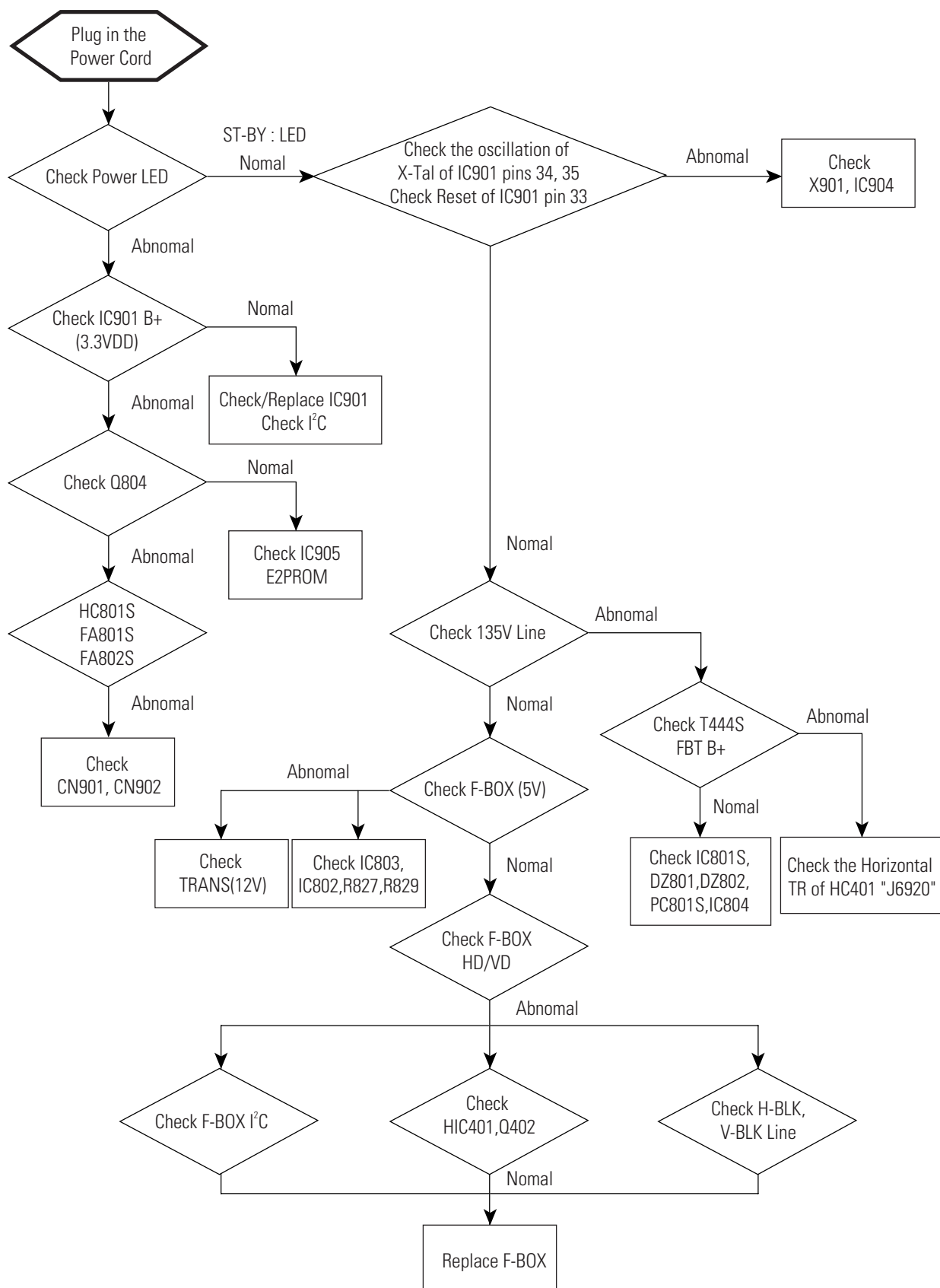
7-1 No Raster



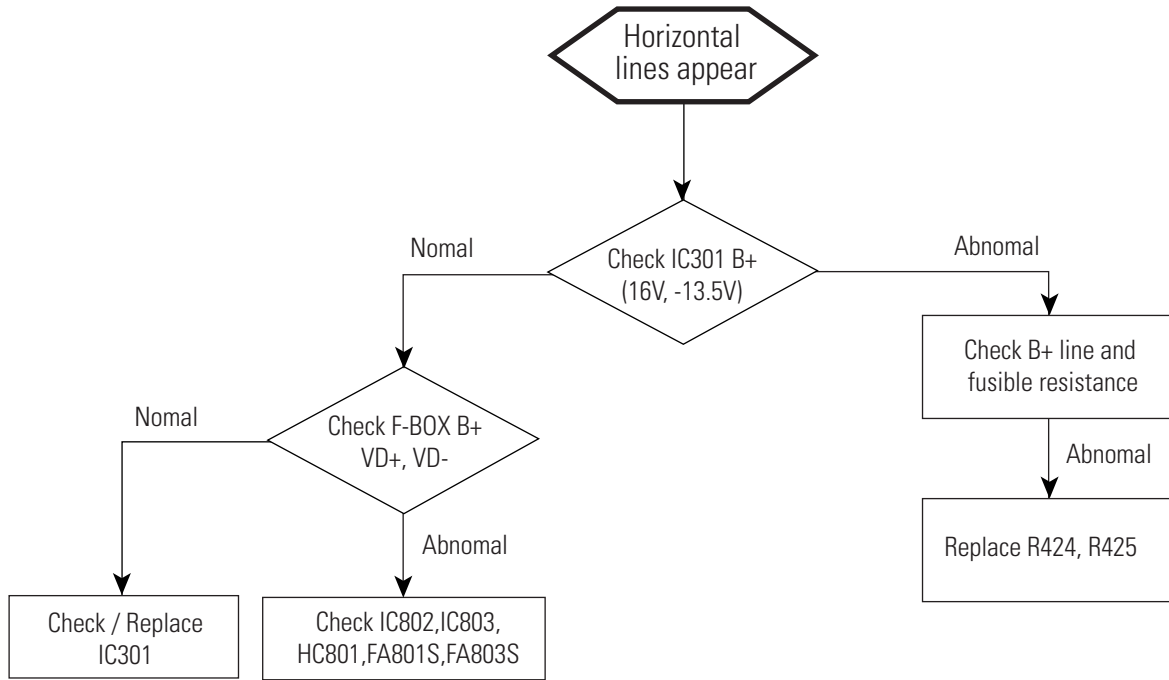
7-2 No Sound



7-3 No Power

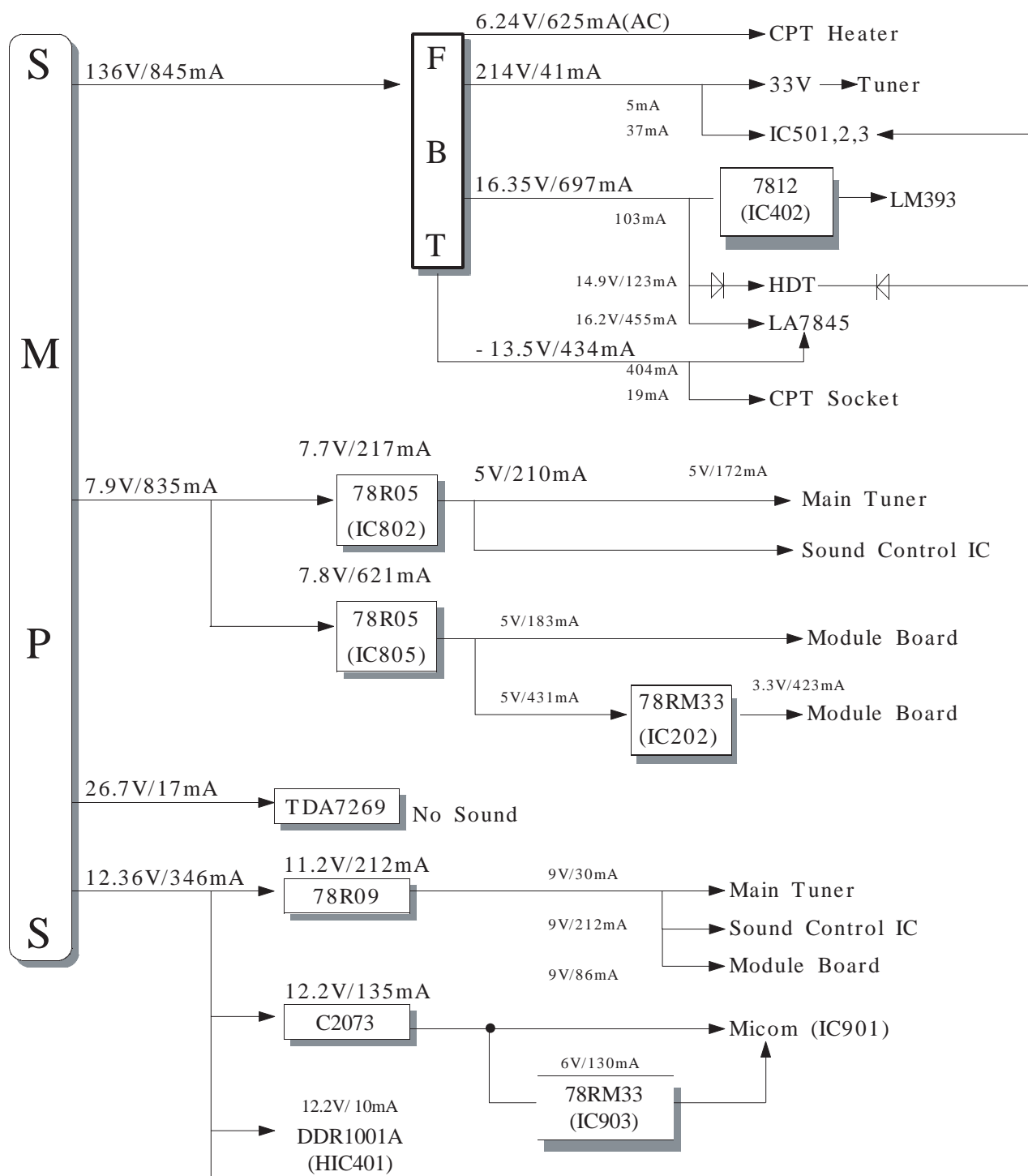


7-4 Horizontal Lines Appear



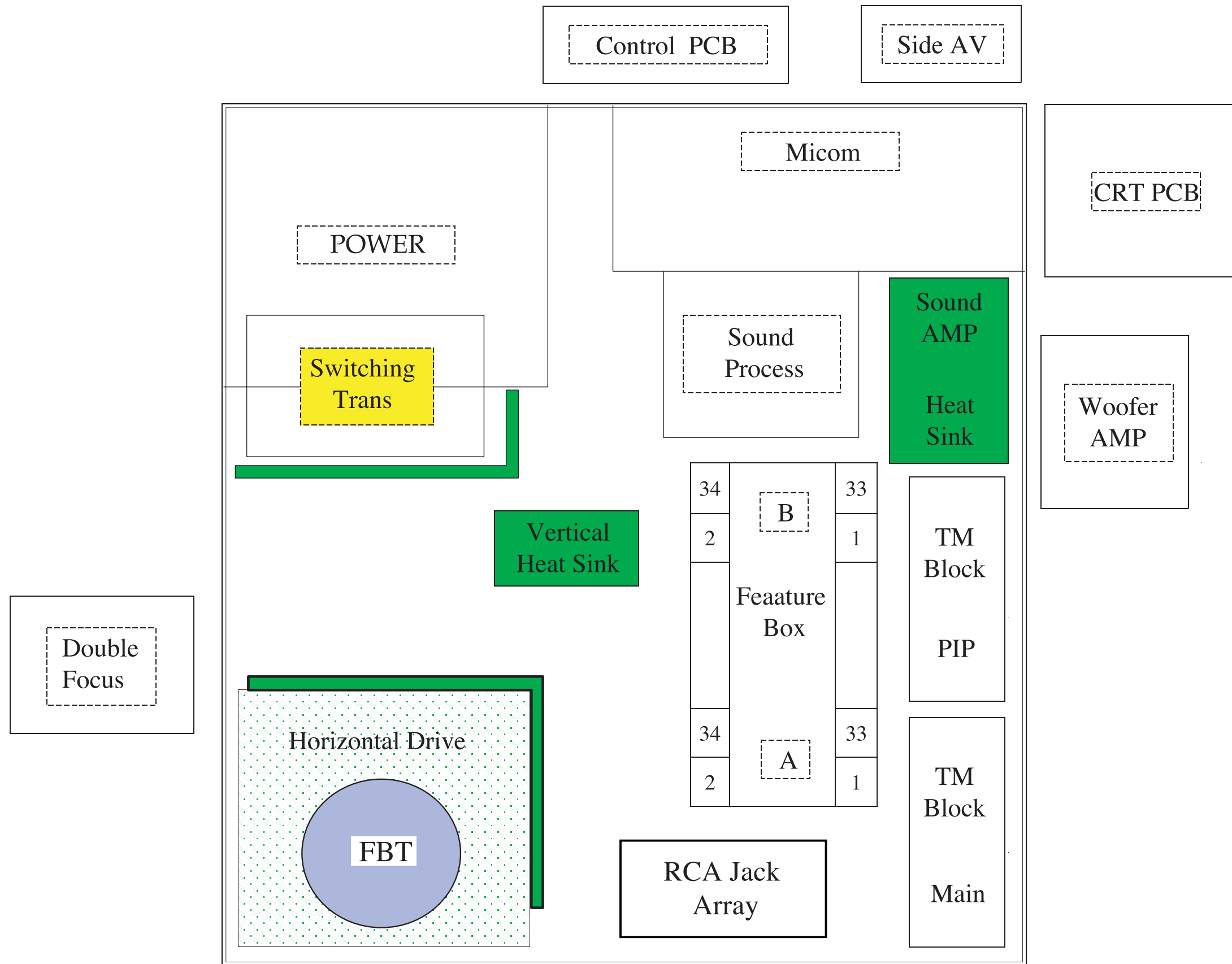
8. Block Diagram

8-1 Voltage / Current Block Diagram

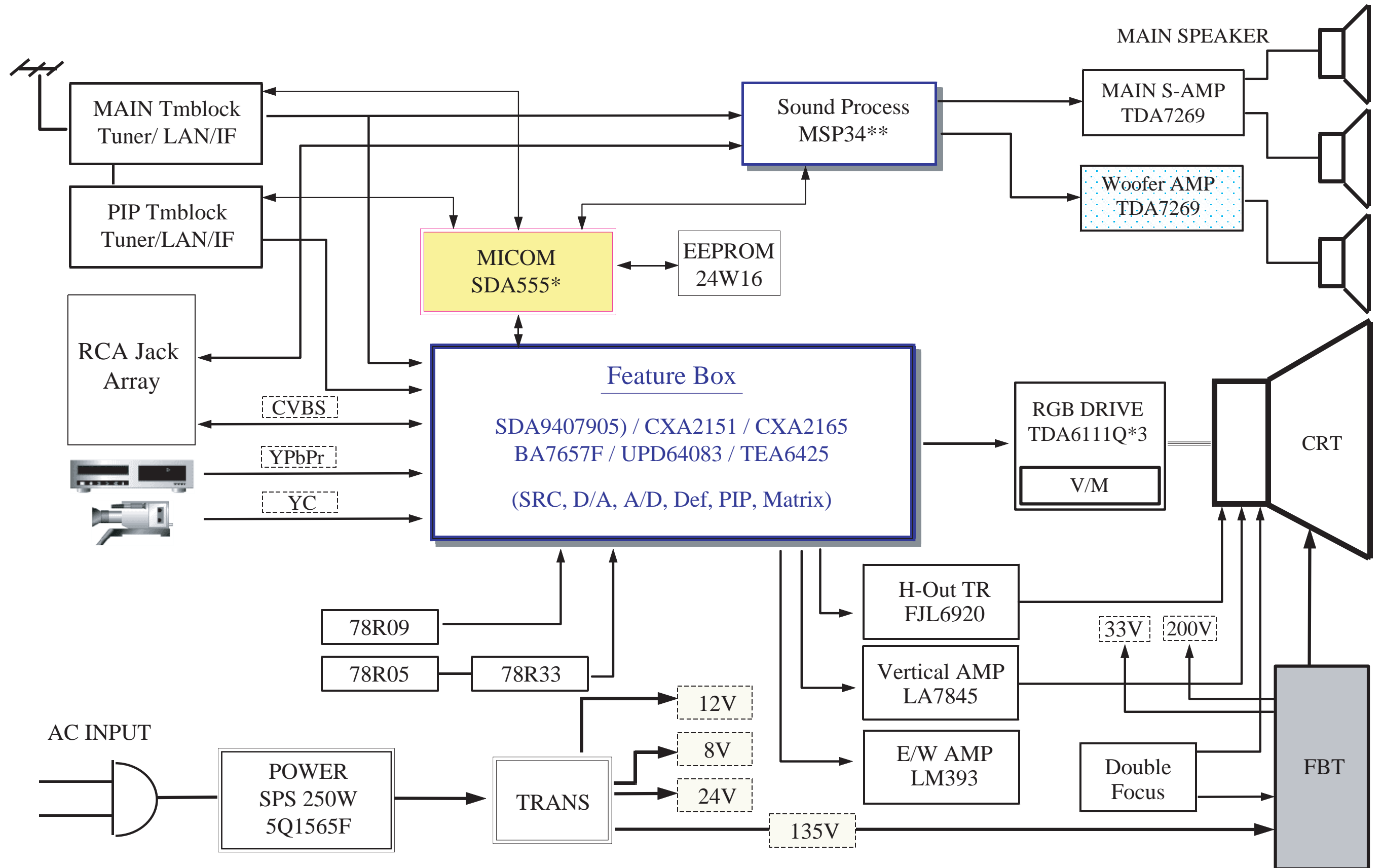


MEMO

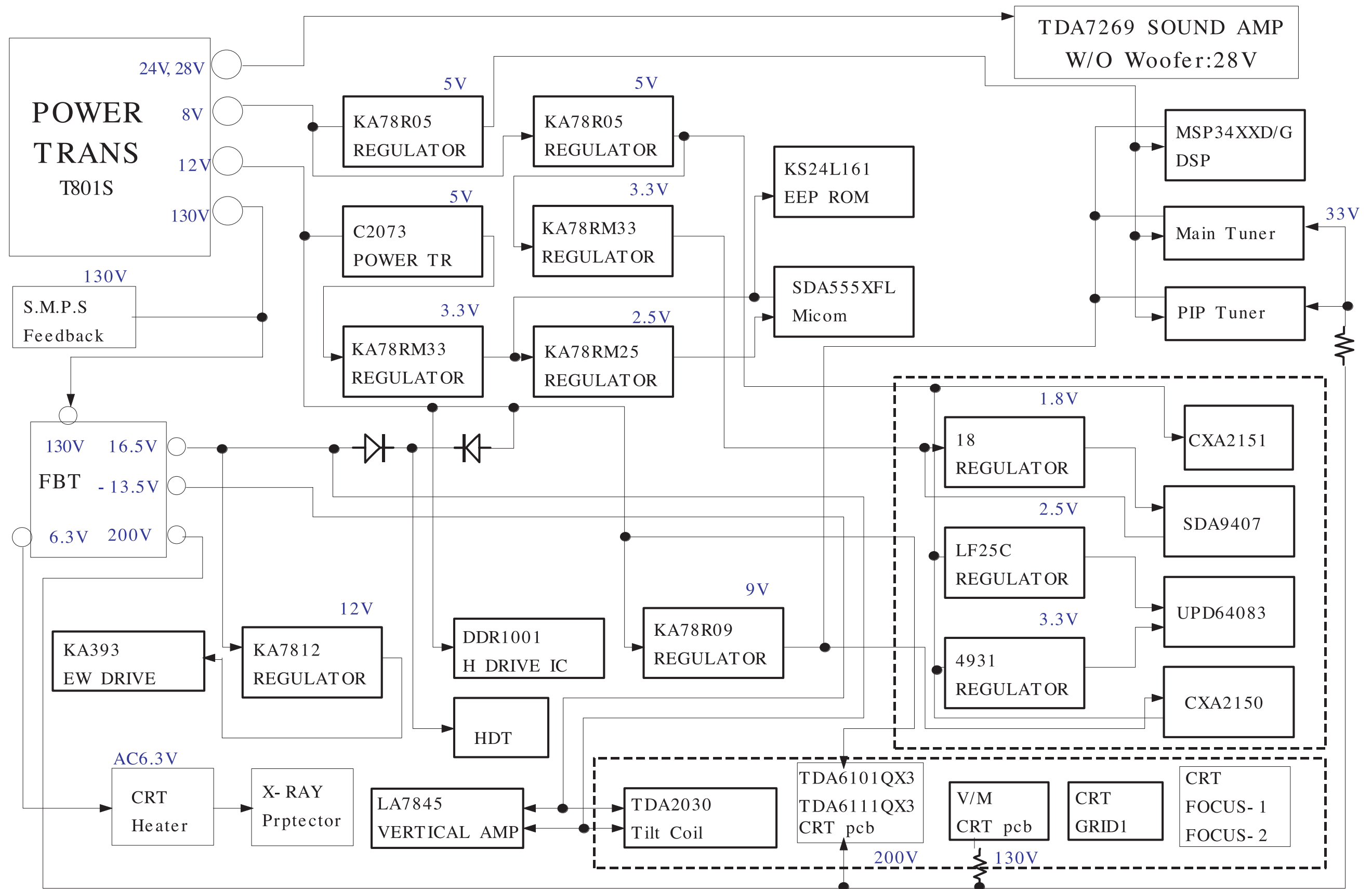
8-3 PCB Layout



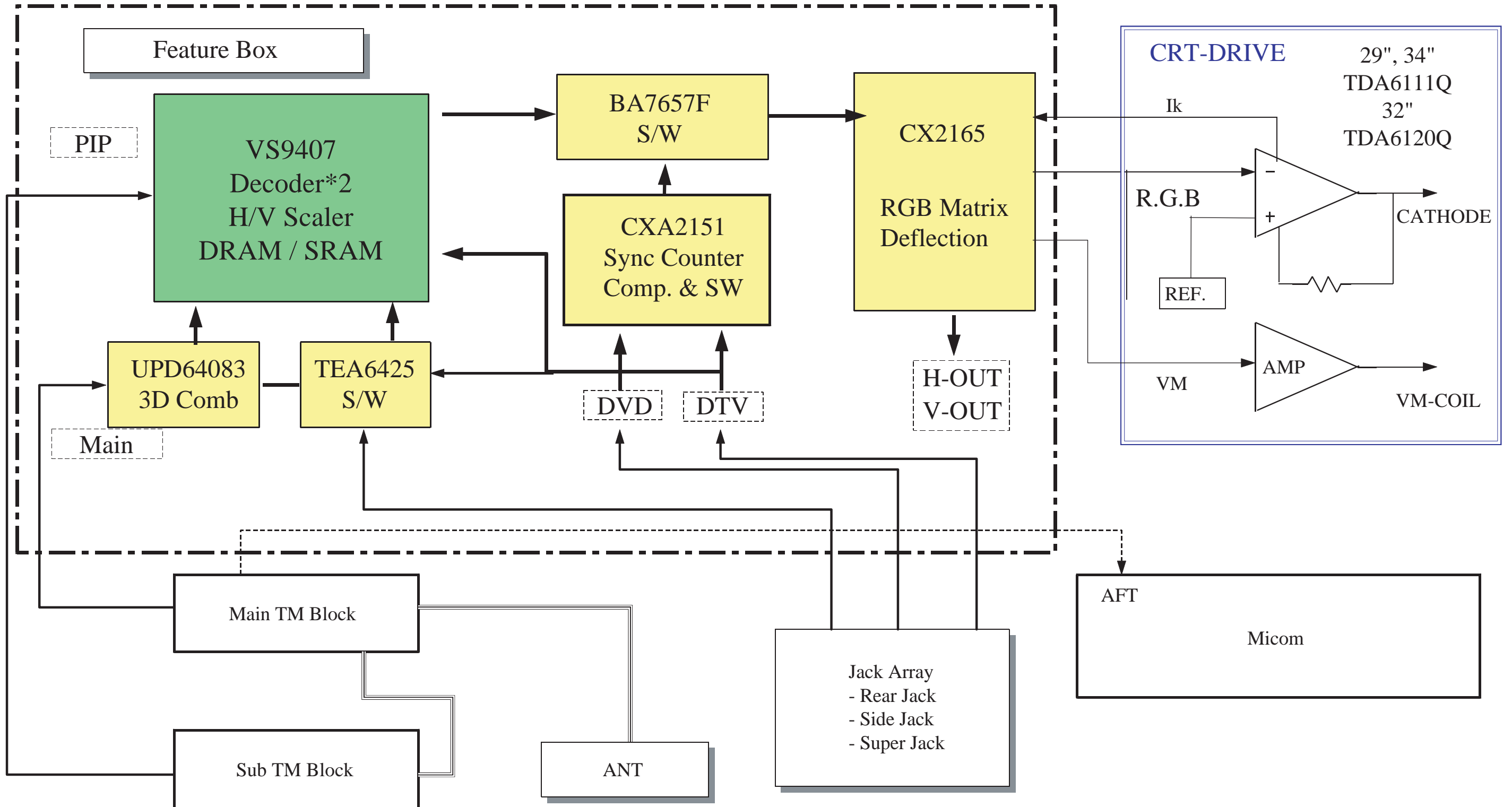
8-4 System Block Diagram



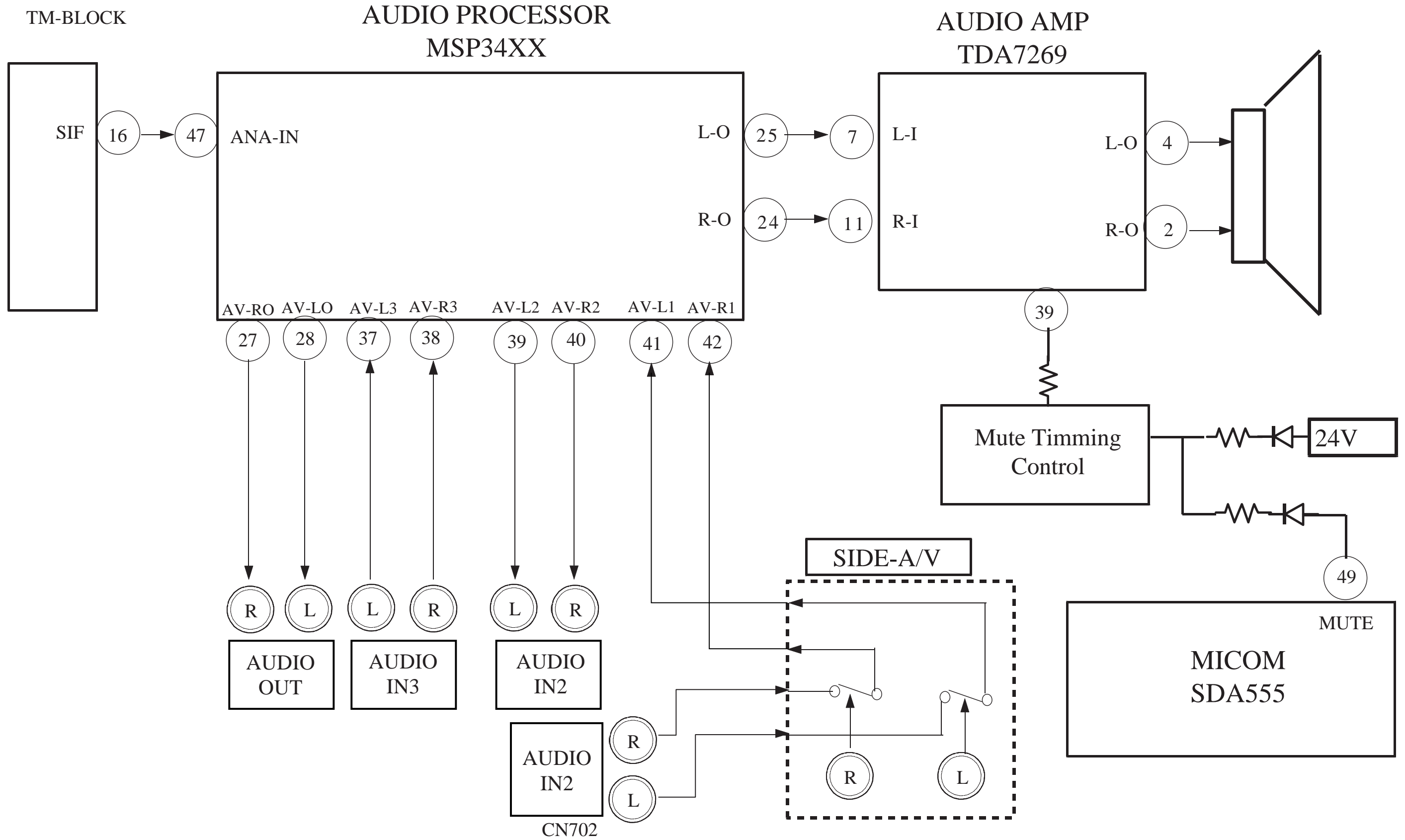
8-5 Power Block Diagram



8-6 Video Signal Block Diagram

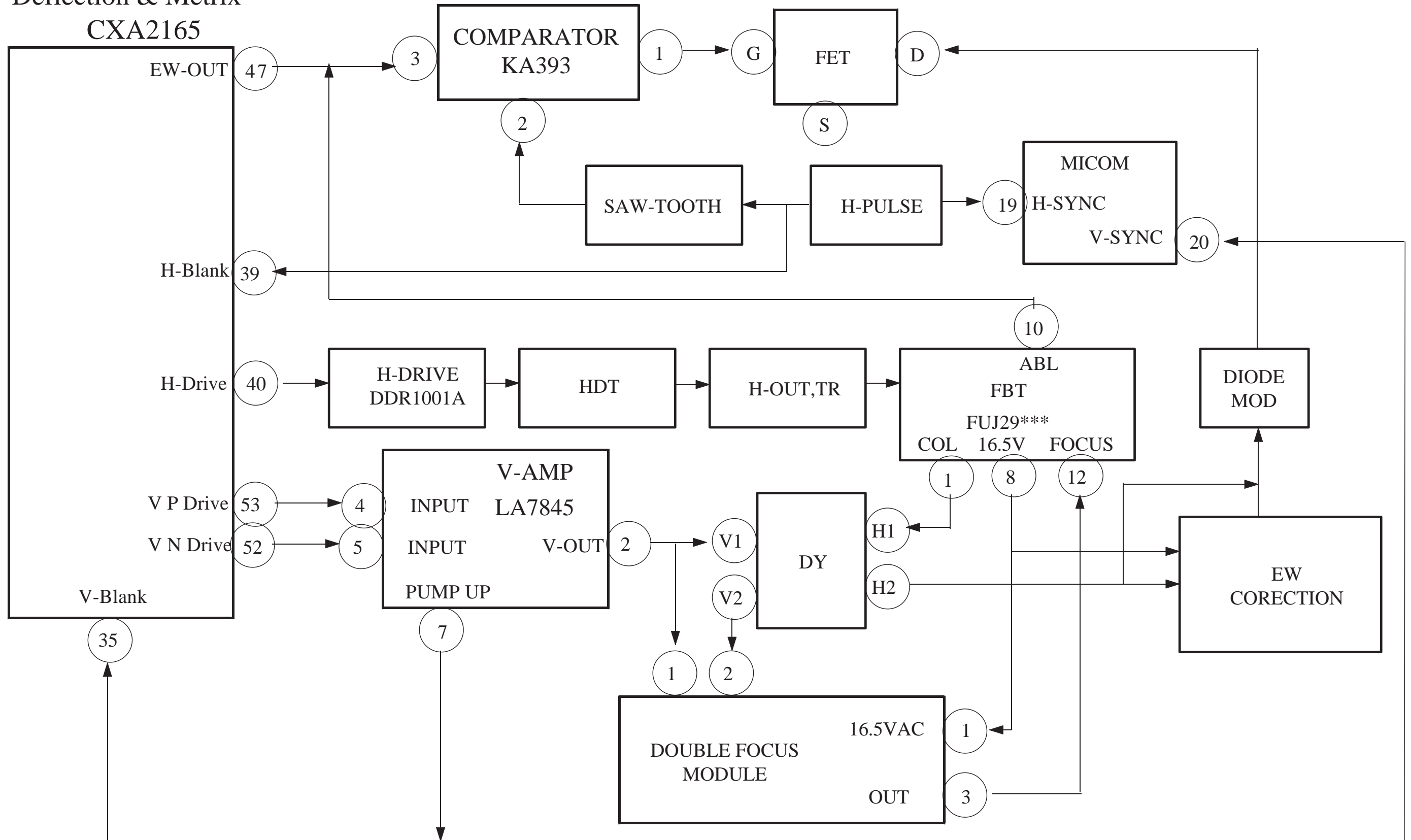


8-7 Sound signal Block Diagram



8-8 Deflection Block Diagram

Deflection & Metrix
CXA2165

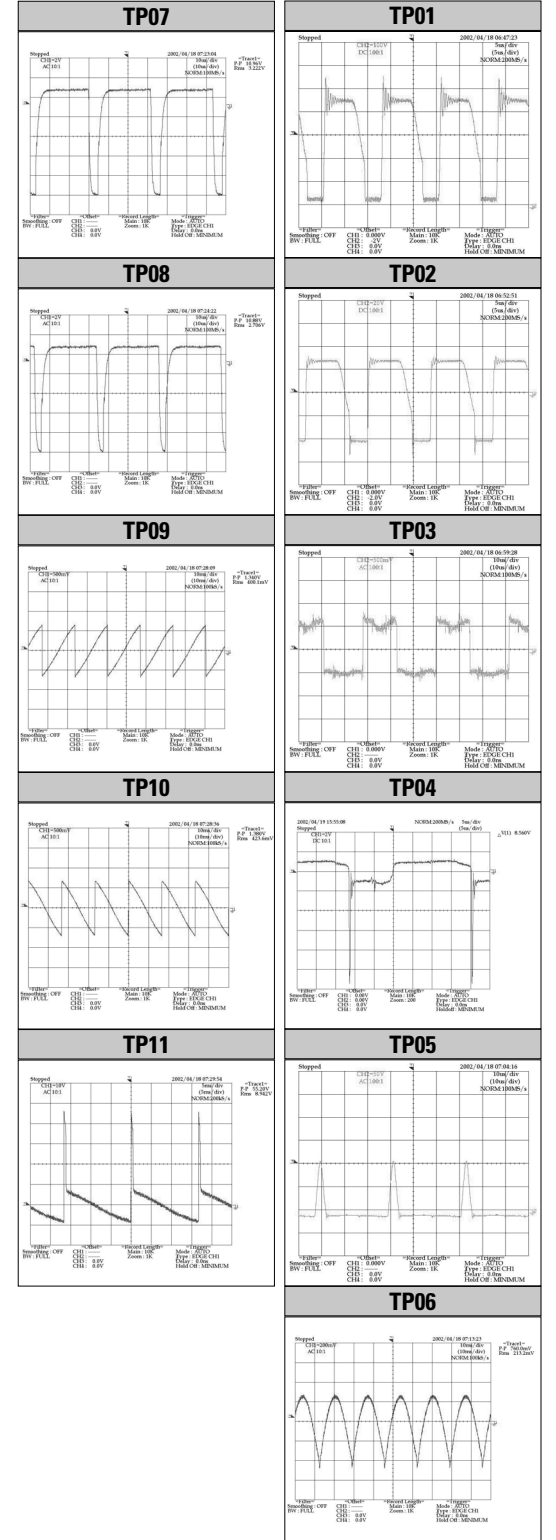
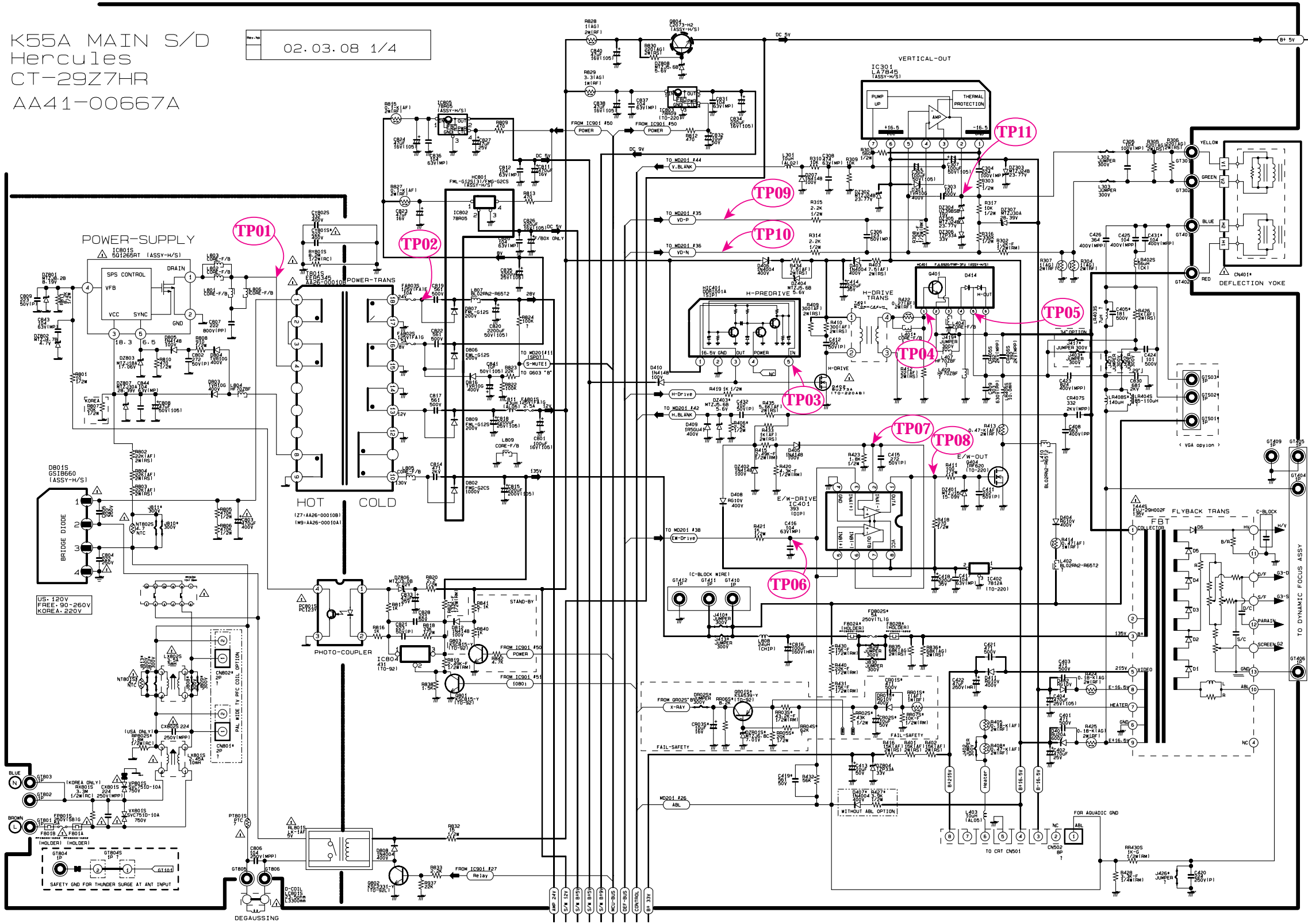


9. Schematic Diagrams

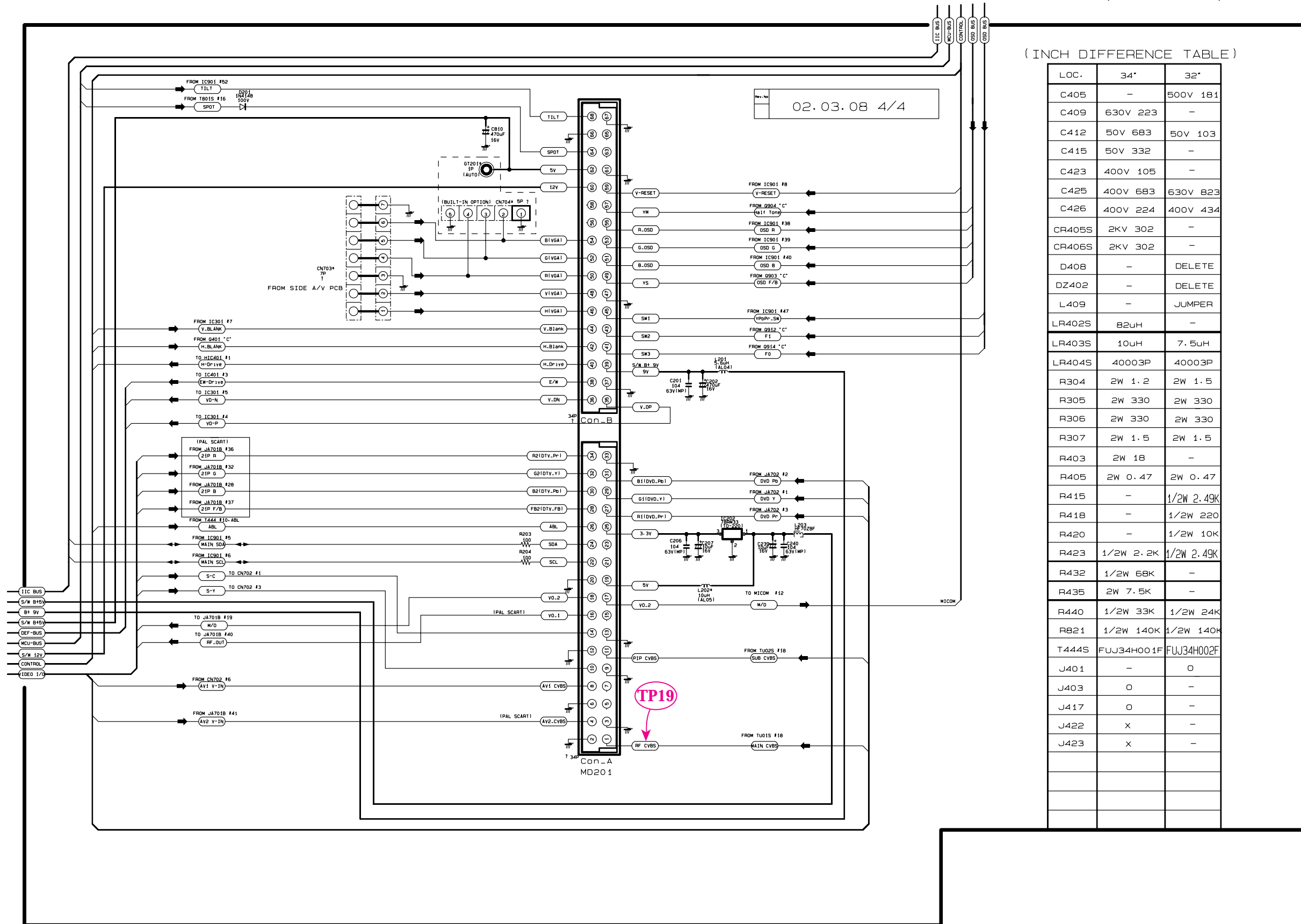
9-1 MAIN 1

K55A MAIN S/D
Hercules
CT-29Z7HR
AA41-00667A

02.03.08 1/4

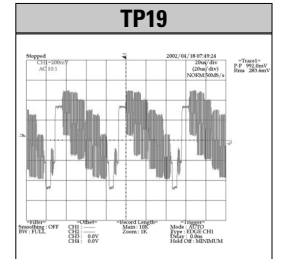


9-3 MAIN 3

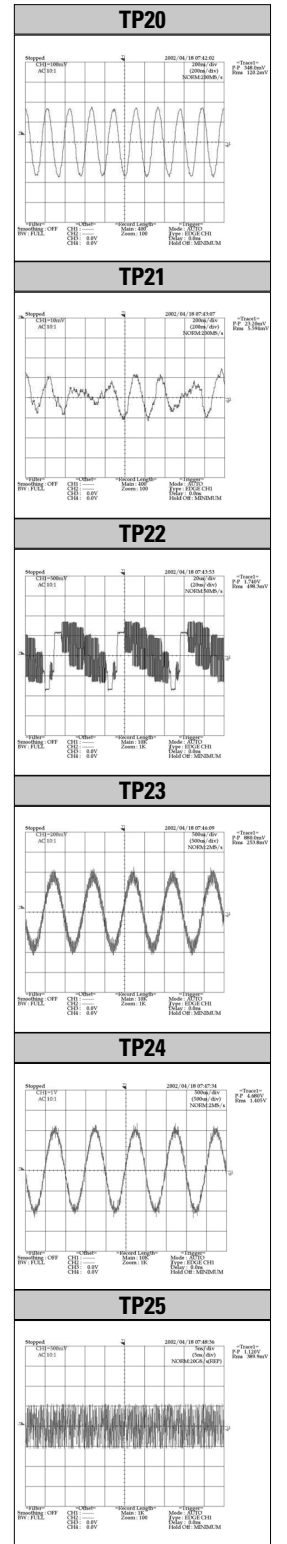
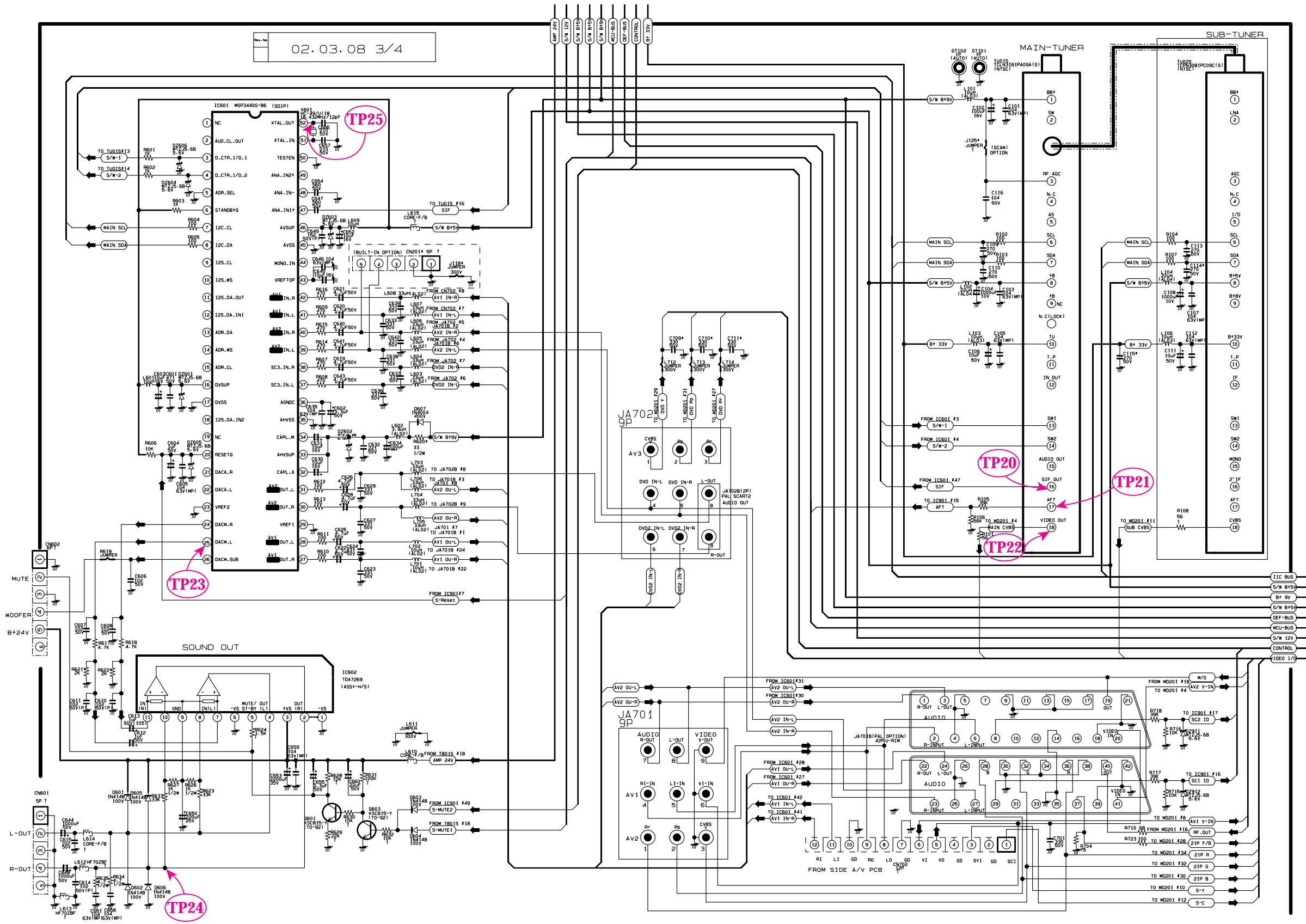


(INCH DIFFERENCE TABLE)

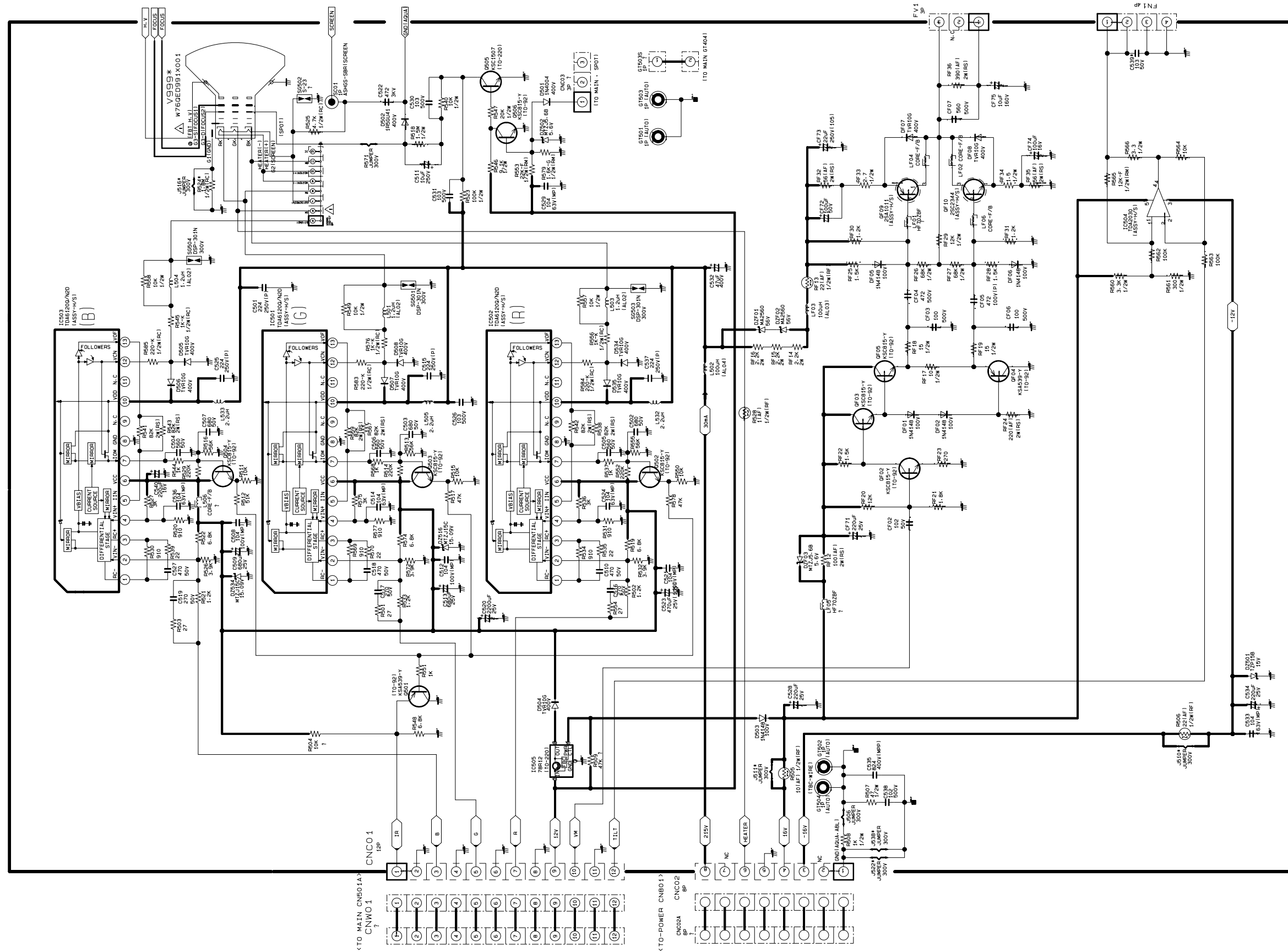
LOC.	34"	32"
C405	-	500V 181
C409	630V 223	-
C412	50V 683	50V 103
C415	50V 332	-
C423	400V 105	-
C425	400V 683	630V 823
C426	400V 224	400V 434
CR405S	2KV 302	-
CR406S	2KV 302	-
D408	-	DELETE
DZ402	-	DELETE
L409	-	JUMPER
LR402S	82uH	-
LR403S	10uH	7.5uH
LR404S	40003P	40003P
R304	2W 1.2	2W 1.5
R305	2W 330	2W 330
R306	2W 330	2W 330
R307	2W 1.5	2W 1.5
R403	2W 18	-
R405	2W 0.47	2W 0.47
R415	-	1/2W 2.49K
R418	-	1/2W 220
R420	-	1/2W 10K
R423	1/2W 2.2K	1/2W 2.49K
R432	1/2W 68K	-
R435	2W 7.5K	-
R440	1/2W 33K	1/2W 24K
R821	1/2W 140K	1/2W 140K
T444S	FUJ34H001F	FUJ34H002F
J401	-	0
J403	0	-
J417	0	-
J422	X	-
J423	X	-



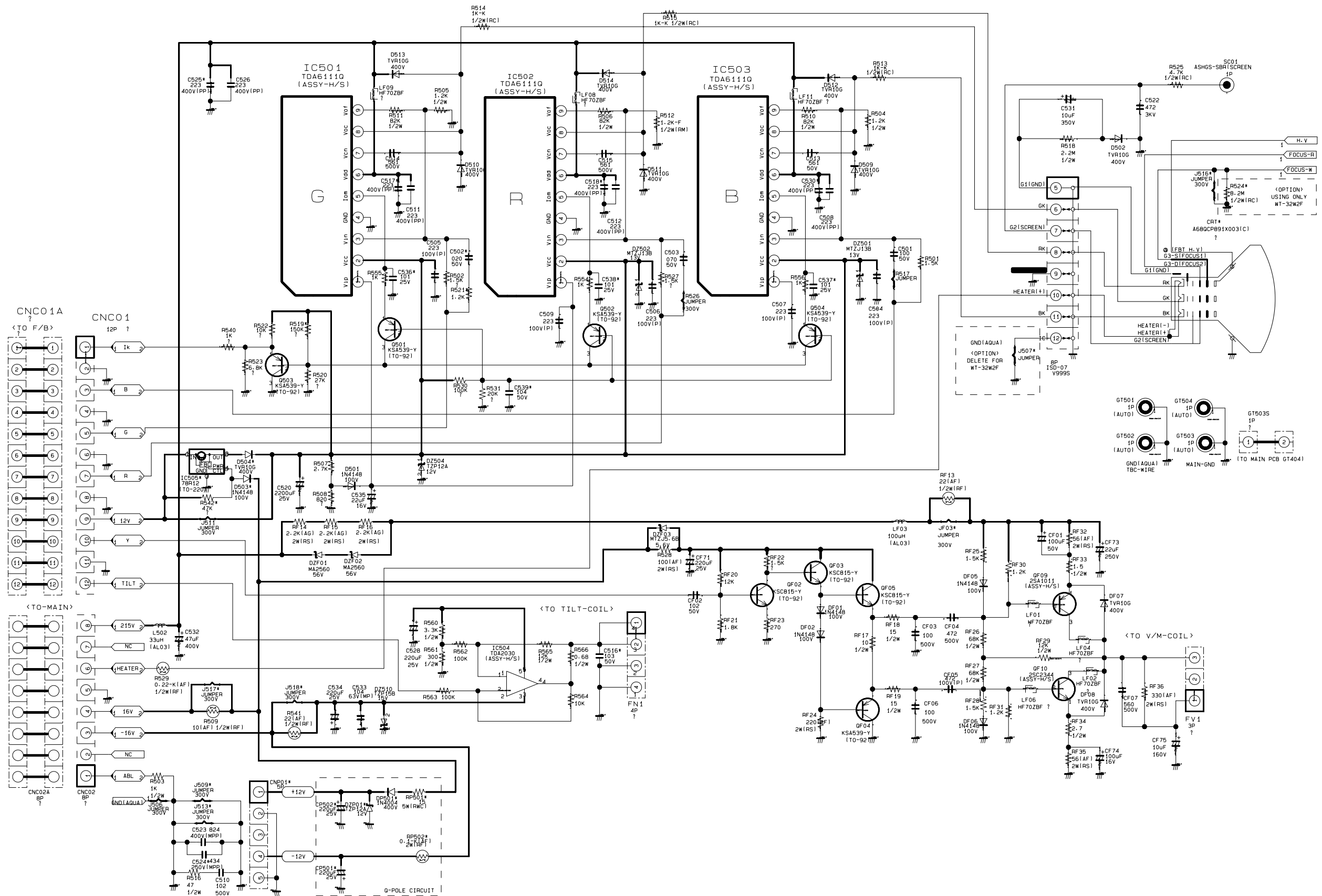
9-4 MAIN 4



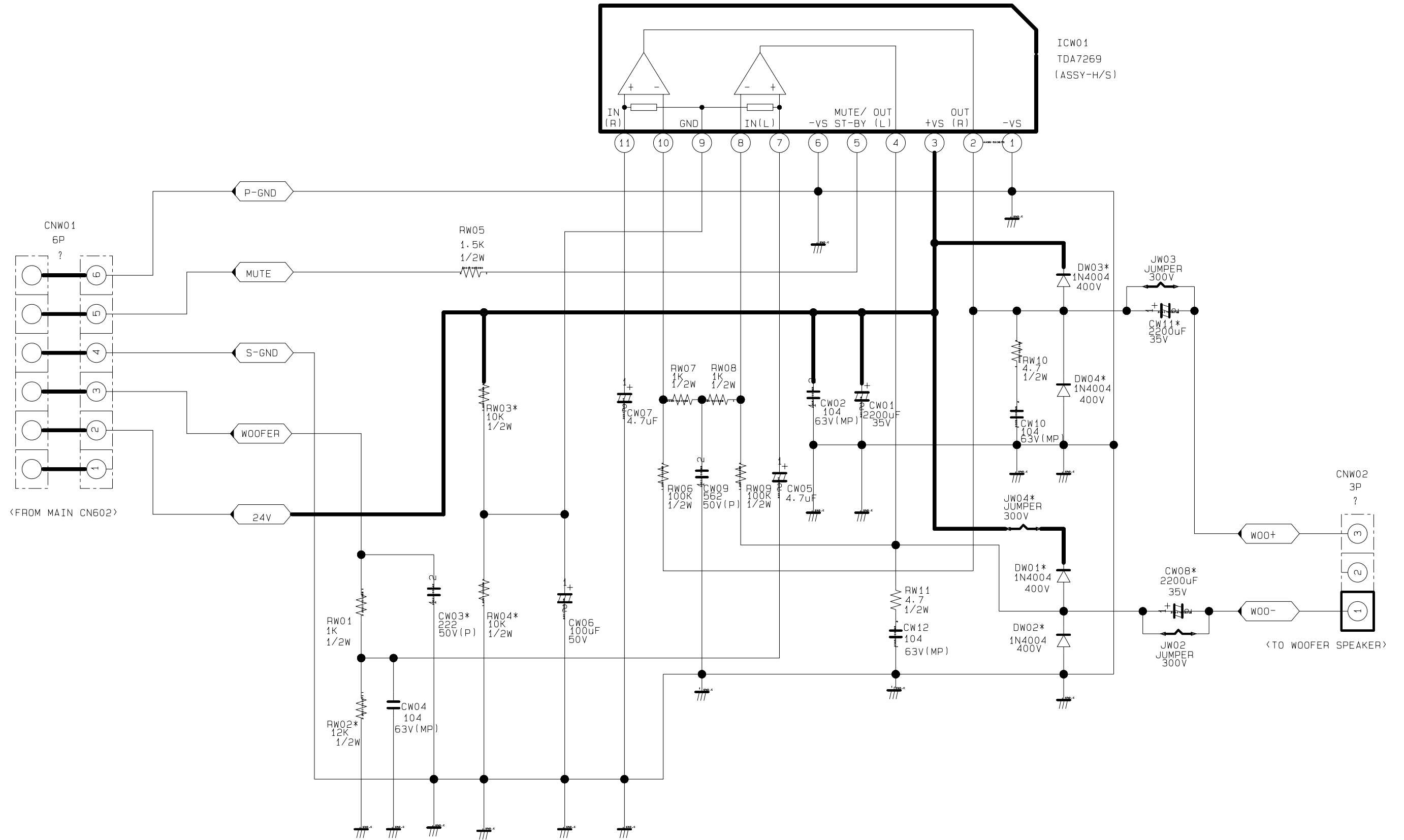
9-5 CRT / VM TDA6120Q



9-6 CRT / VM TDA6120Q

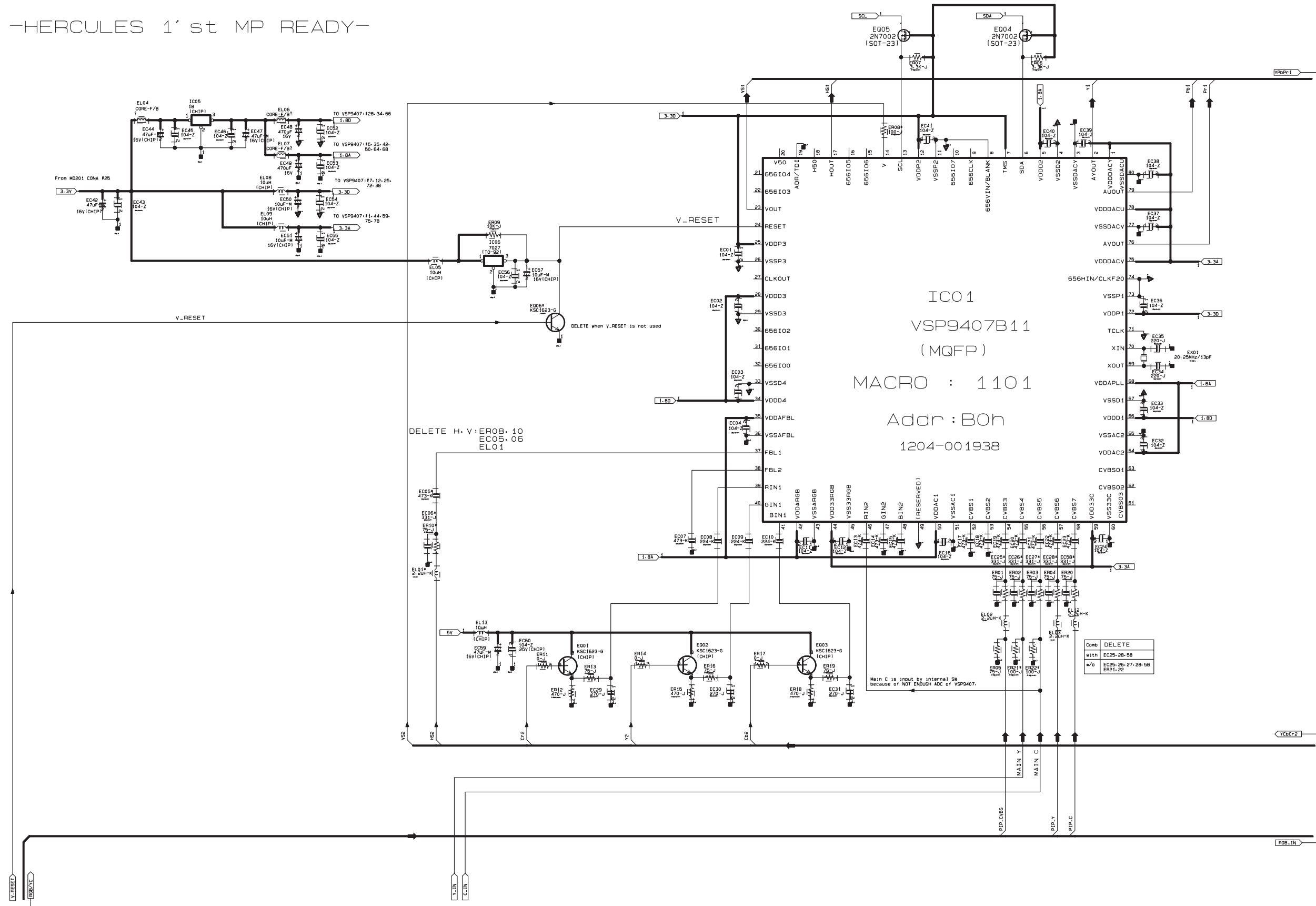


9-7 WOOFER

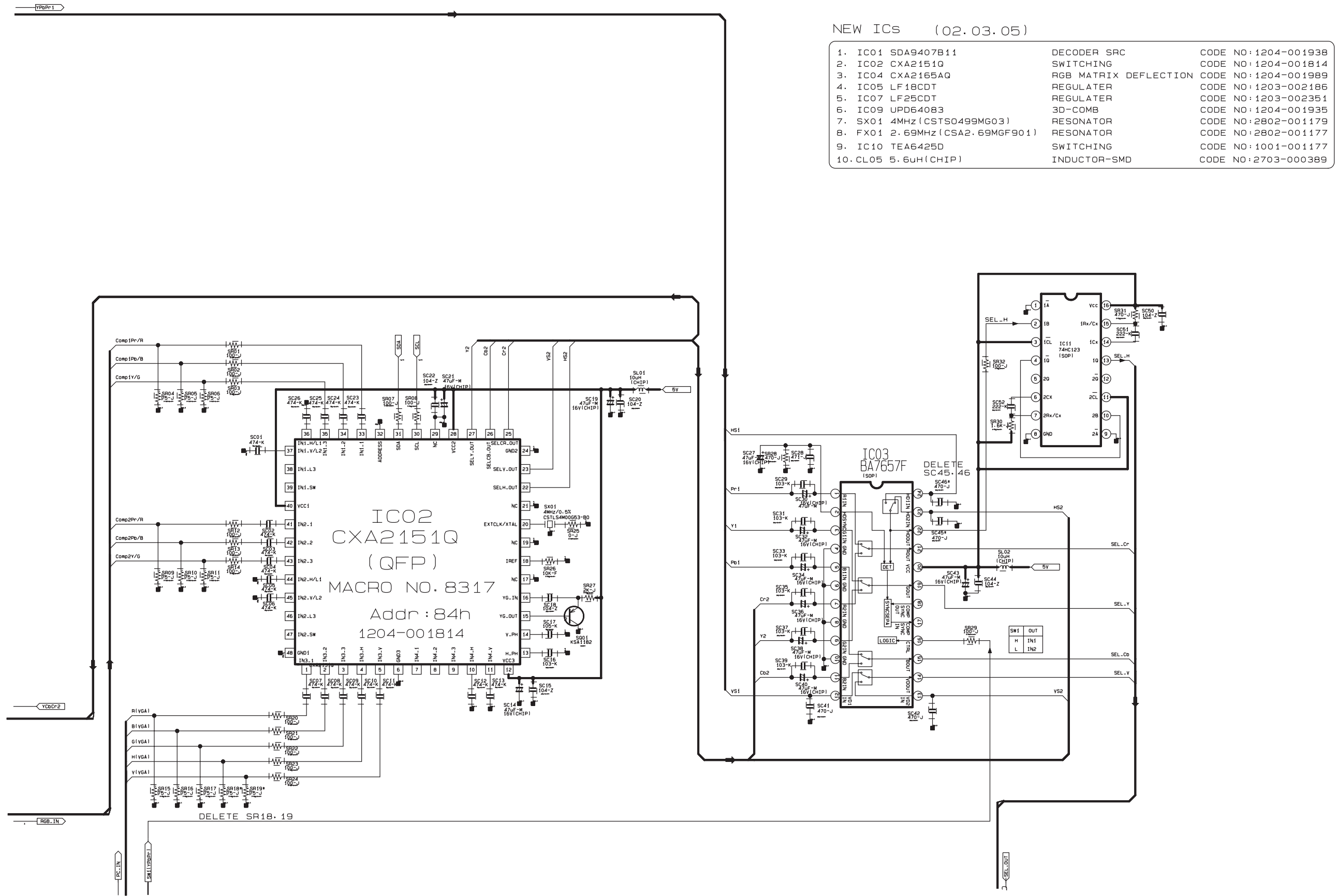


9-8 FEATURE-BOX-1

-HERCULES 1' st MP READY-



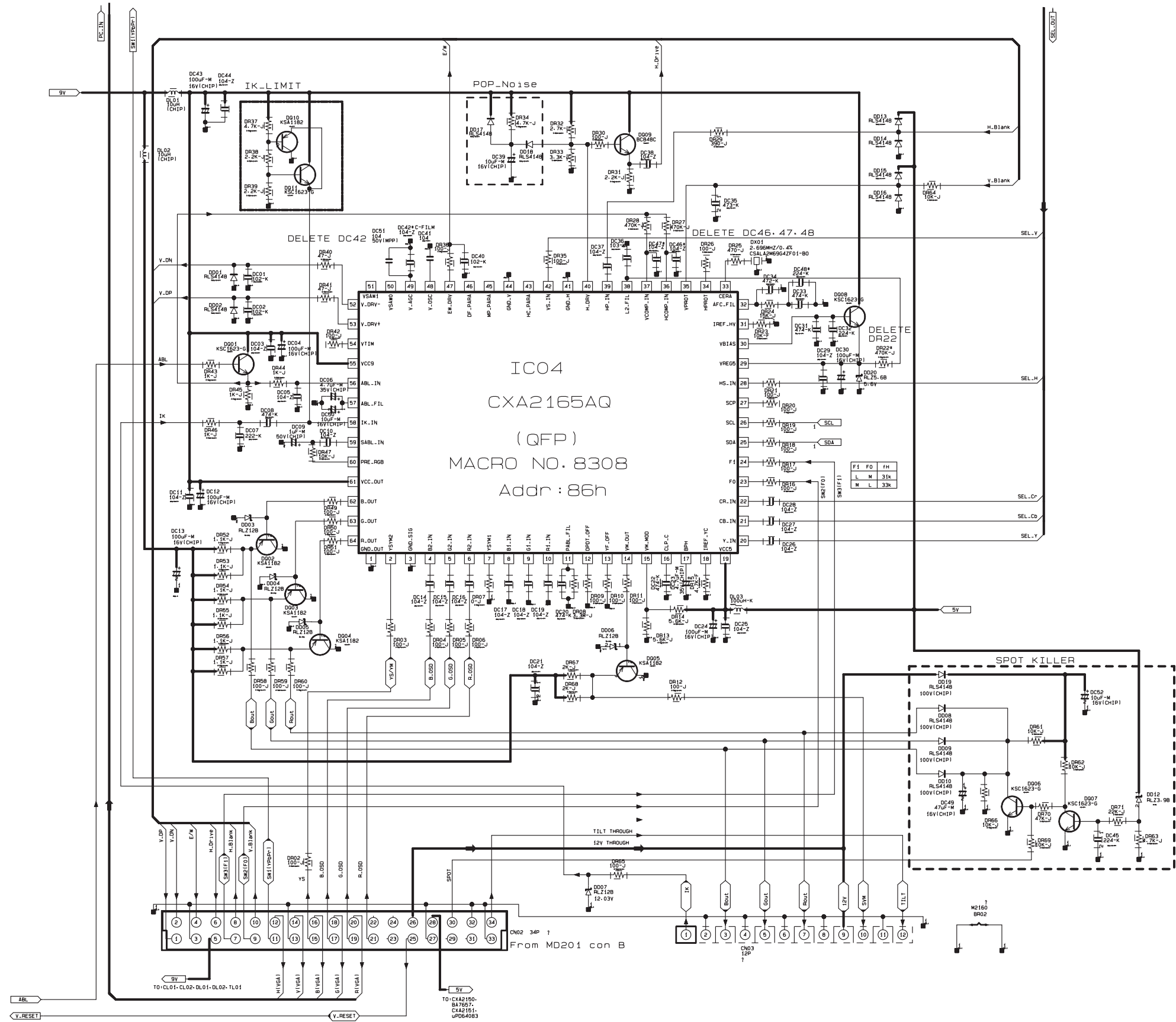
9-9 FEATURE-BOX-2



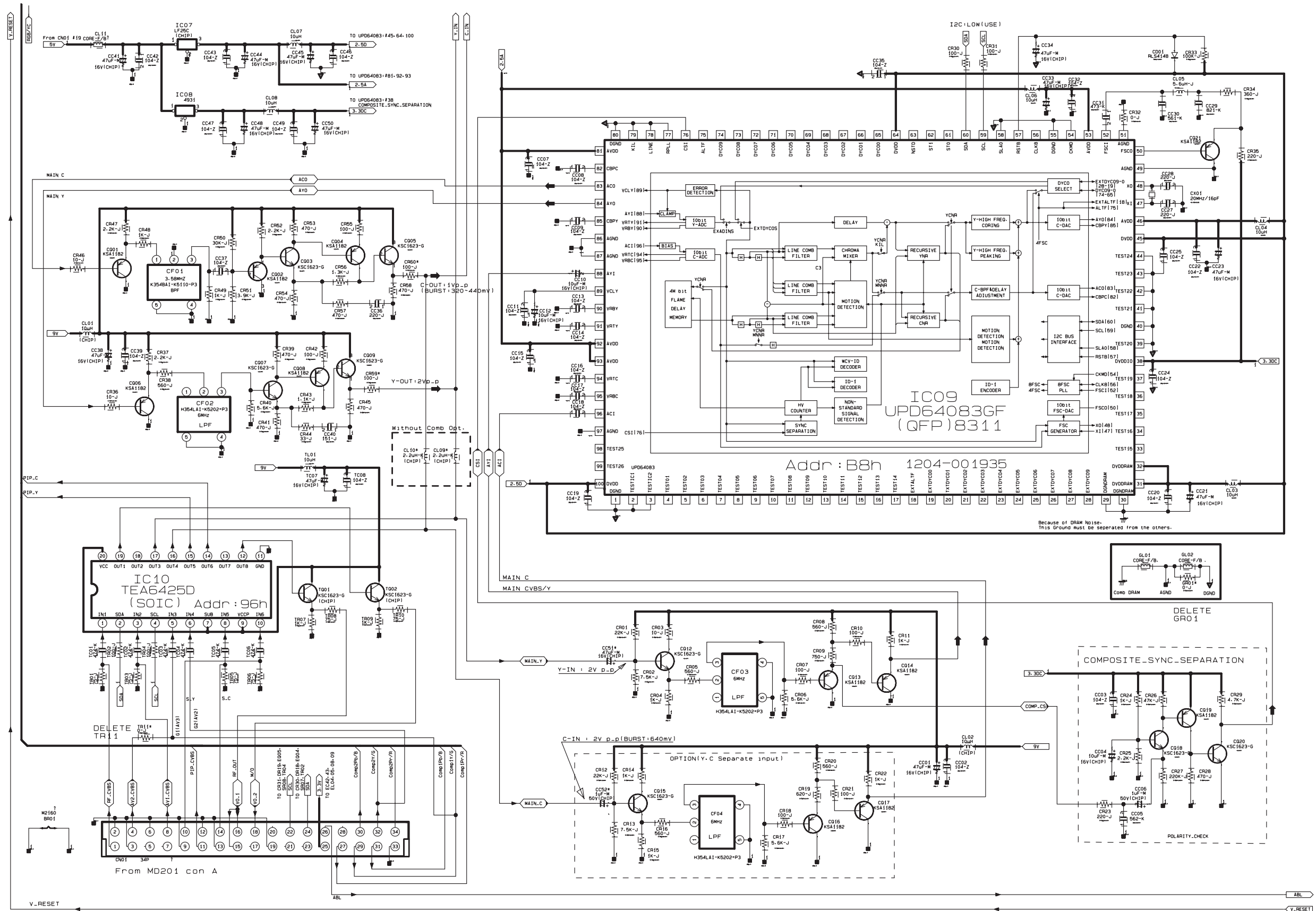
NEW ICs (02.03.05)

1. IC01 SDA9407B11	DECODER SRC	CODE NO: 1204-001938
2. IC02 CXA2151Q	SWITCHING	CODE NO: 1204-001814
3. IC04 CXA2165AQ	RGB MATRIX DEFLECTION	CODE NO: 1204-001989
4. IC05 LF18CDT	REGULATOR	CODE NO: 1203-002186
5. IC07 LF25CDT	REGULATOR	CODE NO: 1203-002351
6. IC09 UPD64083	3D-COMB	CODE NO: 1204-001935
7. SX01 4MHz (CST50499MG03)	RESONATOR	CODE NO: 2802-001179
8. FX01 2.69MHz (CSA2.69MGF901)	RESONATOR	CODE NO: 2802-001177
9. IC10 TEA6425D	SWITCHING	CODE NO: 1001-001177
10. CL05 5.6uH (CHIP)	INDUCTOR-SMD	CODE NO: 2703-000389

9-10 FEATURE-BOX-3



9-11 FEATURE-BOX-4



9-12 SIDE AV, WOOFER JACK, CONTROL

